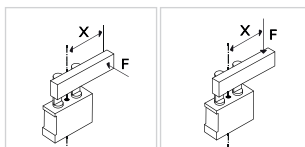
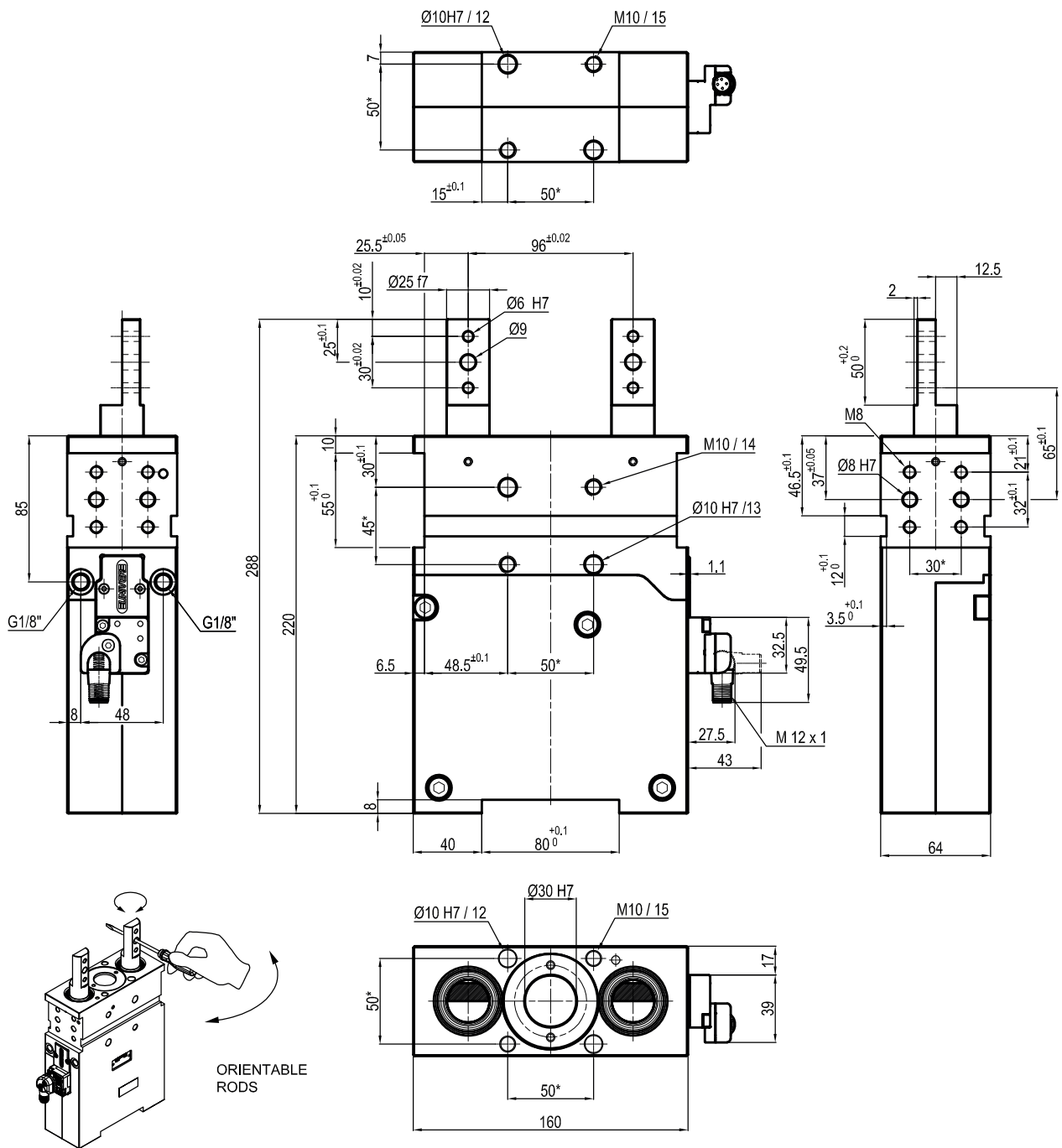


Bore Ø	Max. pull force at 0,5 MPa	Max. push force at 0,5 MPa**	Max. torque 20 Nm X=100 mm	Max. deflection moment 20 Nm X=100 mm	Weight
50 mm	500 N	7150 N	± 0,1 mm	± 0,07 mm	7,3 Kg

Min./Max. operating pressure: **0,4 / 0,6 MPa**
 Operating temperature: **5° ÷ 45° C**
 Strokes in mm: **40**
 Electronic sensor with M12 swivel connector, from 0° to 90°
 Supply voltage: **10 ÷ 30 Vdc**
 IP code: **IP 65**
 Max. side load: 400 N
 Max. deflection: 0,1 mm, with 40 mm stroke at max load
 Max. offset: 200 mm from middle point

*: TOLERANCE BETWEEN DOWEL HOLES ± 0,02, BETWEEN SCREW HOLES ± 0,1
 **: MAX PUSH FORCE AT END STROKE POSITION

Subject to technical modifications without notice



Bore Ø	Max. pull force at 0,5 MPa	Max. push force at 0,5 MPa**	Max. torque 20 Nm X=100 mm	Max. deflection moment 20 Nm X=100 mm	Weight
50 mm	500 N	7150 N	± 0,1 mm	± 0,07 mm	7,3 Kg

Min./Max. operating pressure: **0,4 / 0,6 MPa**
 Operating temperature: **5° ÷ 45° C**
 Strokes in mm: **40**
 Electronic sensor with M12 swivel connector, from 0° to 90°
 Supply voltage: **10 ÷ 30 Vdc**
 IP code: **IP 65**
 Max. side load: 400 N
 Max. deflection: 0,1 mm, with 40 mm stroke at max load
 Max. offset: 200 mm from middle point

*: TOLERANCE BETWEEN DOWEL HOLES ± 0,02, BETWEEN SCREW HOLES ± 0,1
 **: MAX PUSH FORCE AT END STROKE POSITION

Subject to technical modifications without notice