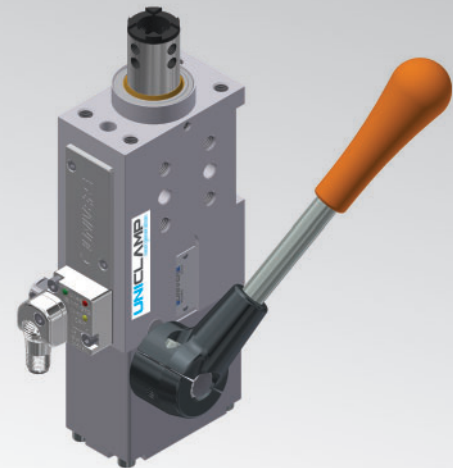






# ULL50

UNICLAMP Retractable locating pin unit with hand lever, single rod



U	L	L	5	0	0	4	0	C	X	K	0
1	2	3	4				5	6	7	8	

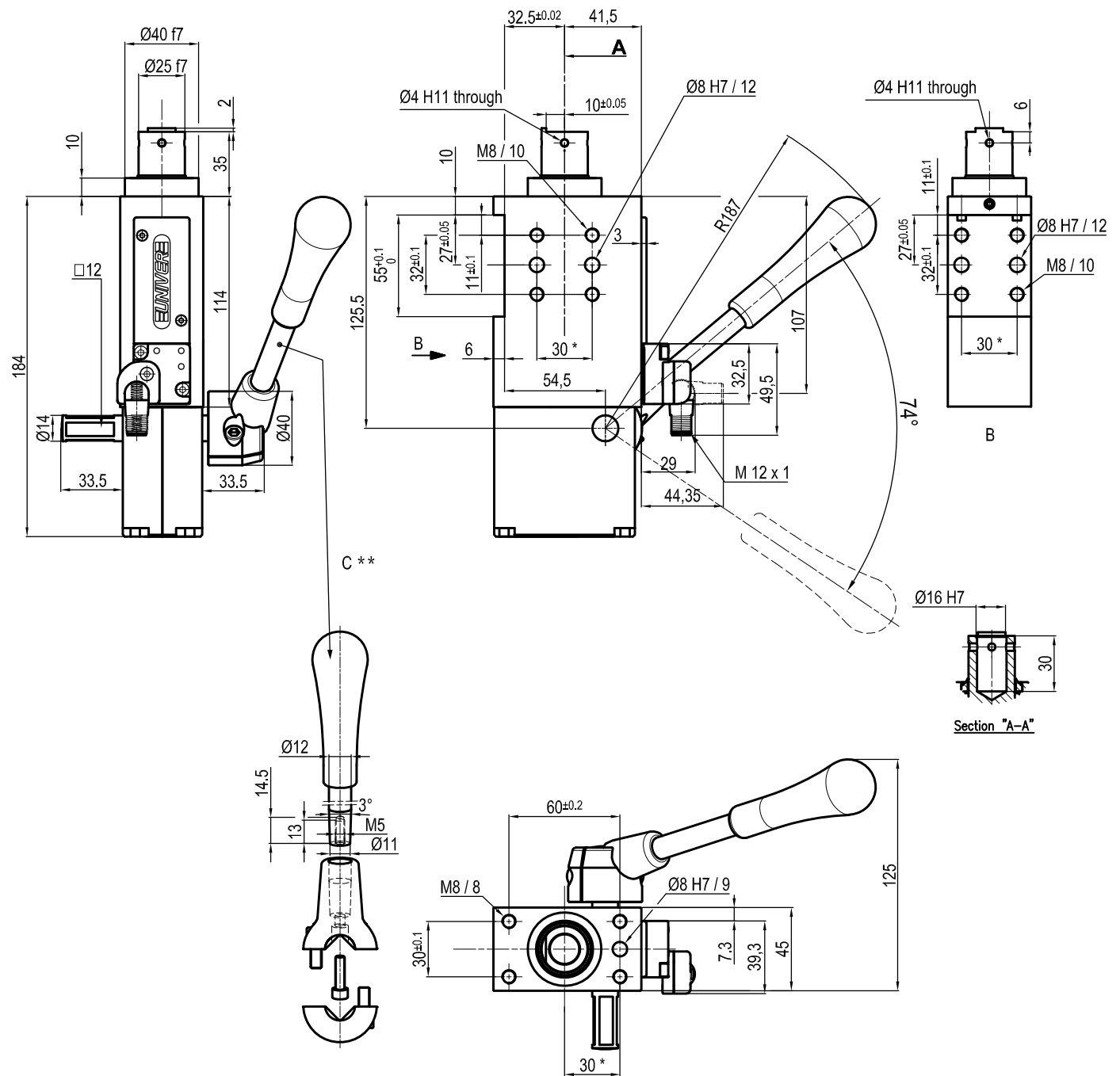
<b>1 Series</b>	<b>2 Version</b>	<b>3 Size</b>
UL = UNICLAMP retractable pin unit	L = With hand lever, single rod	50 = Ø 50 mm

<b>4 Stroke</b>	<b>5 Rod end style</b>	<b>6 Rod orientation</b>
040 = 40 mm	<ul style="list-style-type: none"> <li>A = Rod for off -set pins</li> <li>B = Rod with profiled end</li> <li>C = Rod with cross-profiled end inner Ø 16 mm</li> <li>D = Rod for off -set pins with oversized dowel holes</li> <li>E = Rod with cross-profiled end inner Ø 10 mm</li> <li>F = Rod for side mounting</li> <li>H = Rod with fl at end, inner Ø 10 mm</li> <li>I = Rod with fl at end, inner Ø 12 mm</li> <li>L = Rod with inner Ø 12 mm compatible with CNOMO standard</li> <li>M = Rod with inner Ø 20 mm compatible with CNOMO standard</li> </ul>	<ul style="list-style-type: none"> <li>X = Symmetrical</li> <li>E* = East </li> <li>O* = West </li> <li>N* = North </li> <li>S* = South </li> </ul> <p>*Only with A and D rod end style</p>

<b>7 Sensor</b>	<b>8 Product Revision</b>
<ul style="list-style-type: none"> <li>N = No sensor (with protection plate)</li> <li>K = Electronic sensor PNP (optical) (DF-K)</li> </ul>	Assigned by Univer



## ULL50040BXK0



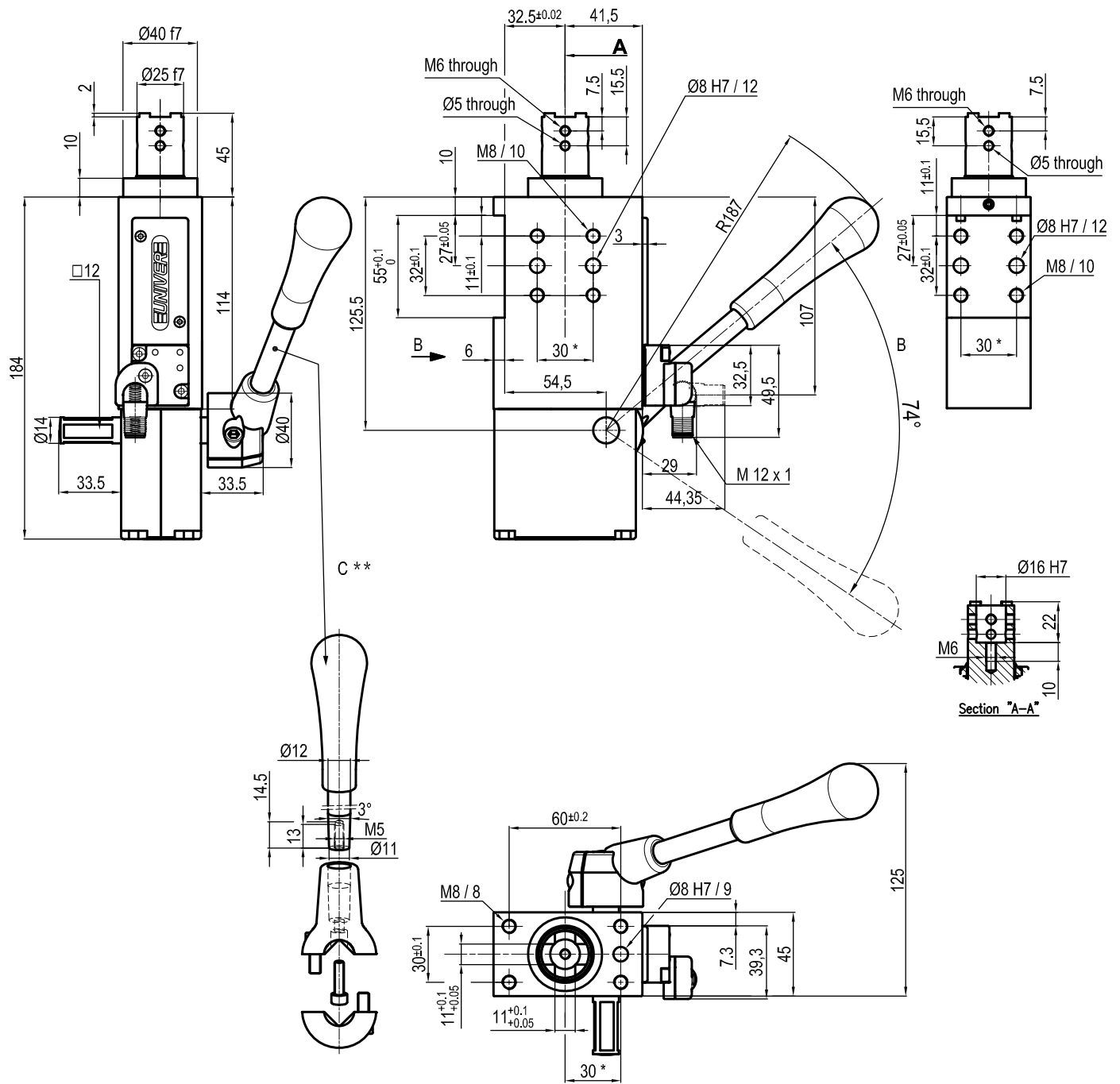
Size	Max. torque 6 Nm	Max. deflection moment 7,5 Nm	Weight
50 mm	± 0,06°	± 0,03°	2,5 Kg

\* : TOLERANCE BETWEEN DOWELS ± 0,02, BETWEEN SCREW HOLES ± 0,1  
 \*\*: DIMENSIONS TO BE RESPECTED IN CASE OTHER MANUAL LEVERS ARE USED

Subject to technical modifications without notice

Operating temperature: 5°± 45° C  
 Strokes in mm.: 40  
 With manual lever  
 Electronic sensor with M12 swivel connector, from 0° to 90°,  
 in steps of 10°  
 Supply voltage: 10 ÷ 30 Vdc  
 IP code: IP 65

## ULL50040CXK0



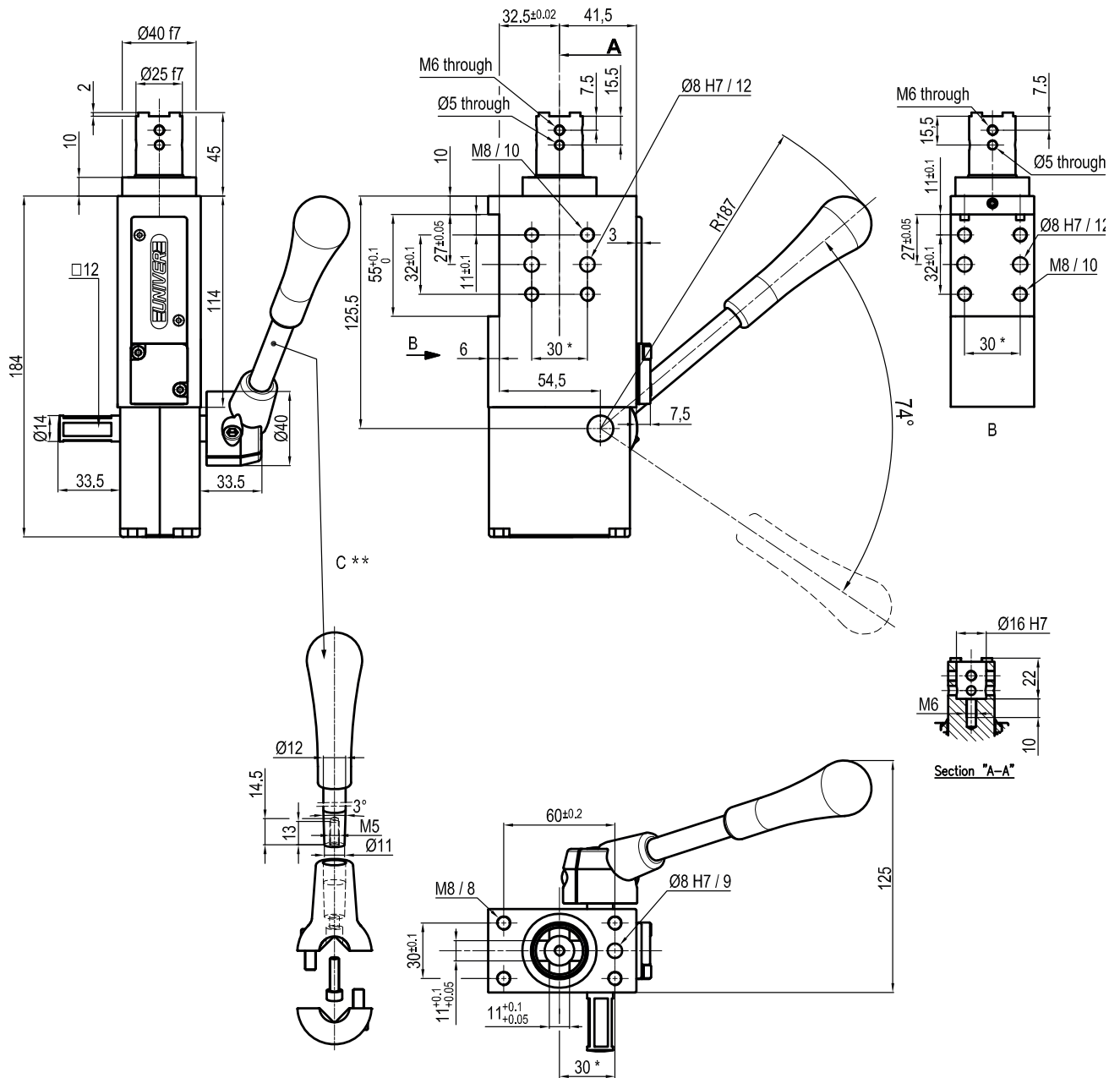
Size	Max. torque 6 Nm	Max. deflection moment 7,5 Nm	Weight
50 mm	± 0,06°	± 0,03°	2,5 Kg

\* : TOLERANCE BETWEEN DOWELS ± 0,02, BETWEEN SCREW HOLES ± 0,1  
 \*\*: DIMENSIONS TO BE RESPECTED IN CASE OTHER MANUAL LEVERS ARE USED

Subject to technical modifications without notice

Operating temperature: 5°± 45° C  
 Strokes in mm.: 40  
 With manual lever  
 Electronic sensor with M12 swivel connector, from 0° to 90°,  
 in steps of 10°  
 Supply voltage: 10 ÷ 30 Vdc  
 IP code: IP 65

## ULL50040CXN0



Size	Max. torque 6 Nm	Max. deflection moment 7,5 Nm	Weight
50 mm	± 0,06°	± 0,03°	2,5 Kg

\* : TOLERANCE BETWEEN DOWELS ± 0,02, BETWEEN SCREW HOLES ± 0,1  
 \*\*: DIMENSIONS TO BE RESPECTED IN CASE OTHER MANUAL LEVERS ARE USED

Subject to technical modifications without notice

Operating temperature: 5°± 45° C

Strokes in mm: 40

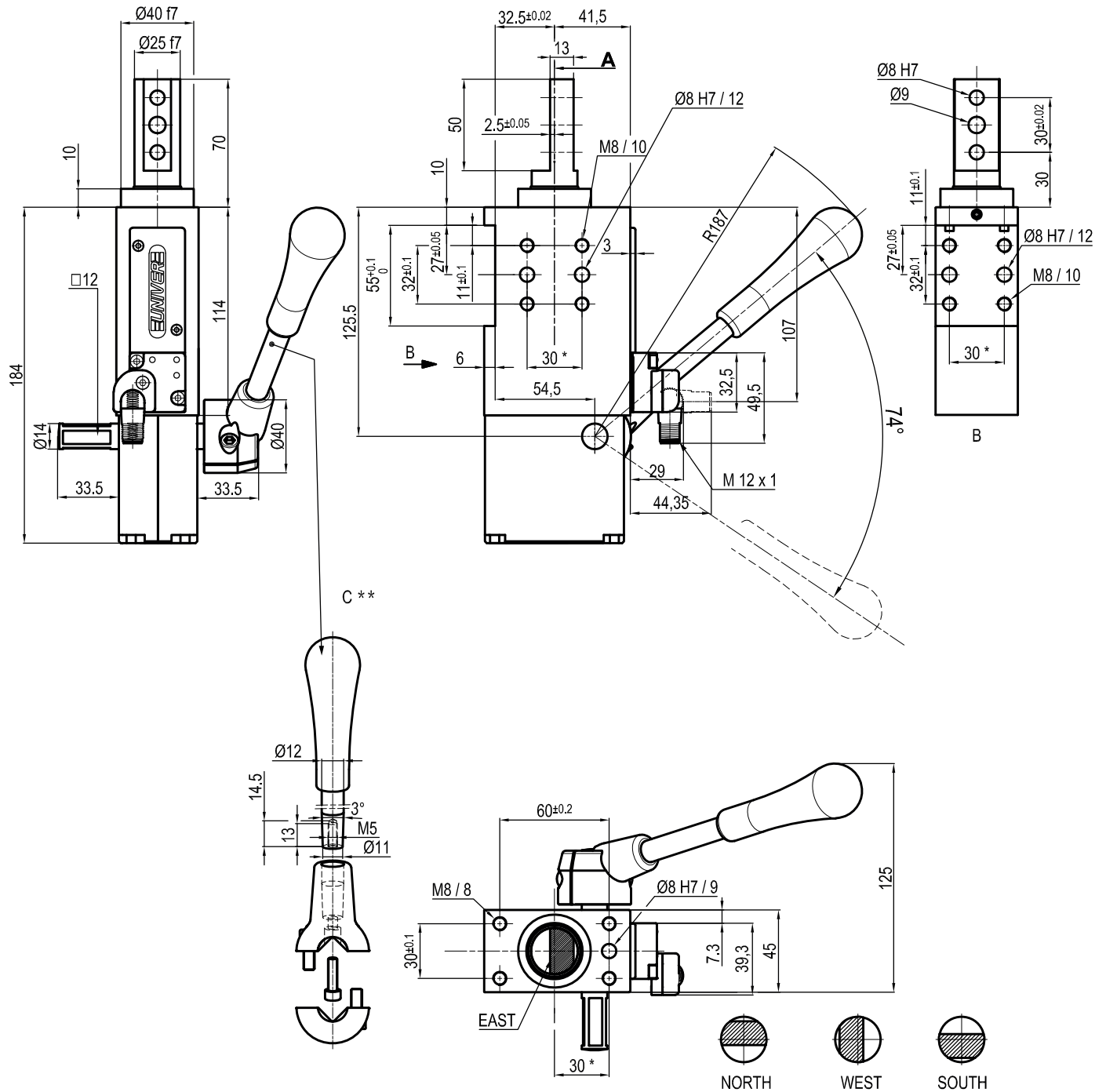
With manual lever

Electronic sensor with M12 swivel connector, from 0° to 90°, in steps of 10°

Supply voltage: 10 ÷ 30 Vdc

IP code: IP 65

## ULL50040D\_K0



Size	Max. torque 6 Nm	Max. deflection moment 7,5 Nm	Weight
50 mm	± 0,06°	± 0,03°	2,5 Kg

\* : TOLERANCE BETWEEN DOWELS ± 0,02, BETWEEN SCREW HOLES ± 0,1  
 \*\* : DIMENSIONS TO BE RESPECTED IN CASE OTHER MANUAL LEVERS ARE USED

Subject to technical modifications without notice

Operating temperature: 5°± 45° C

Strokes in mm: 40

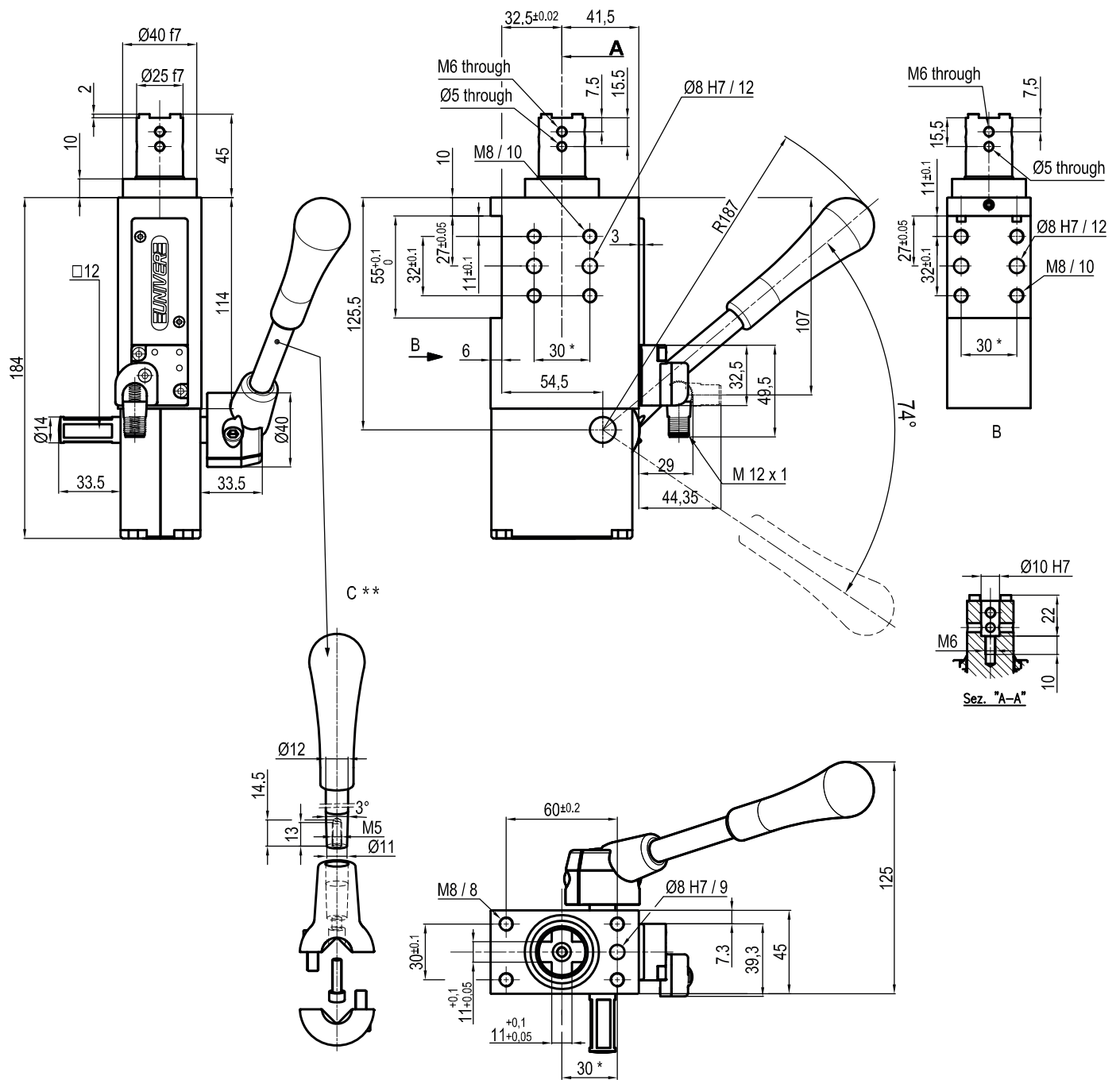
With manual lever

Electronic sensor with M12 swivel connector, from 0° to 90°, in steps of 10°

Supply voltage: 10 ÷ 30 Vdc

IP code: IP 65

## ULL50040EXK0



Size	Max. torque 6 Nm	Max. deflection moment 7,5 Nm	Weight
50 mm	± 0,06°	± 0,03°	2,5 Kg

\* : TOLERANCE BETWEEN DOWELS ± 0,02, BETWEEN SCREW HOLES ± 0,1  
 \*\*: DIMENSIONS TO BE RESPECTED IN CASE OTHER MANUAL LEVERS ARE USED

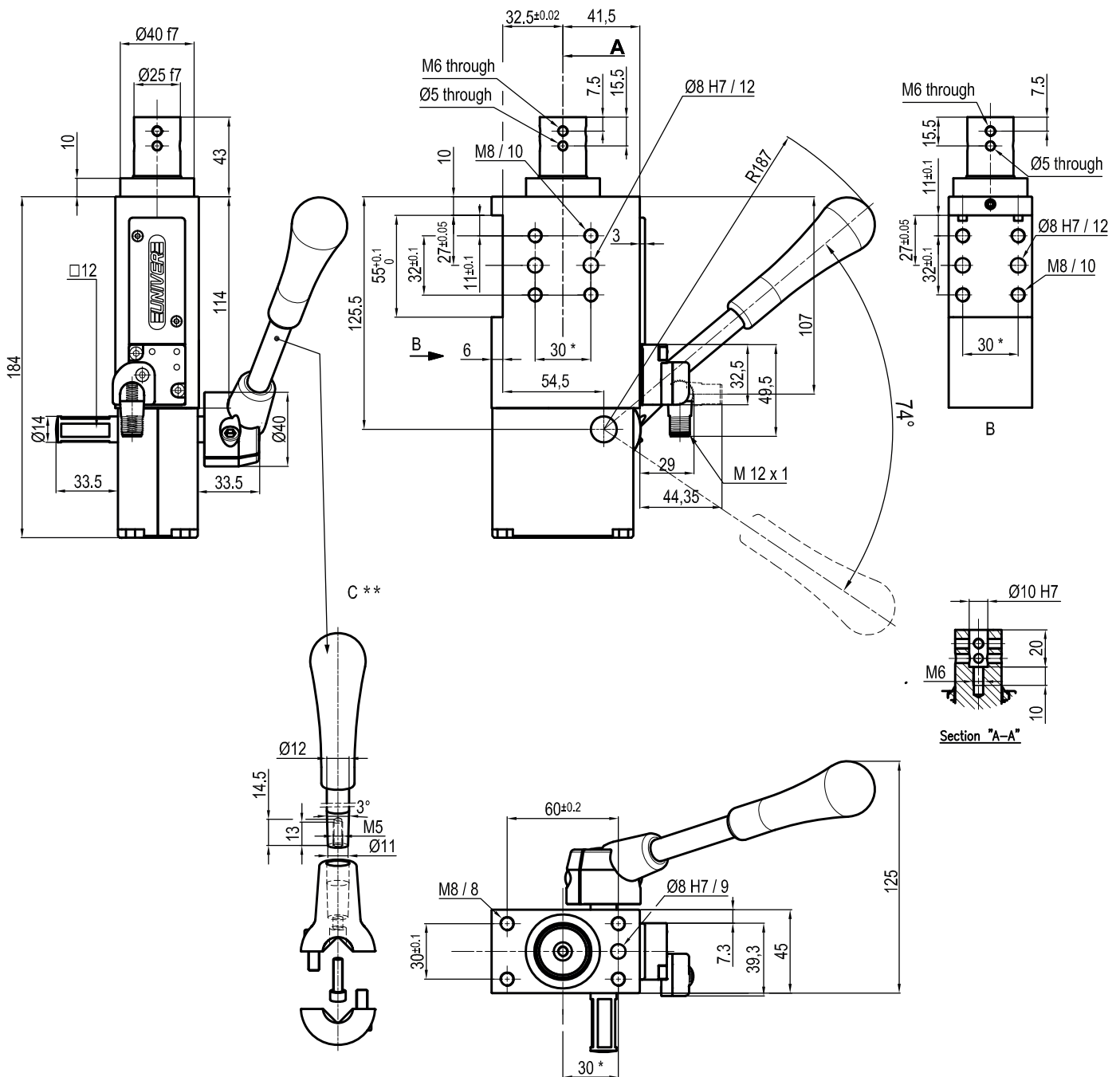
Subject to technical modifications without notice

Operating temperature: 5°± 45° C  
 Strokes in mm.: 40  
 With manual lever  
 Electronic sensor with M12 swivel connector, from 0° to 90°,  
 in steps of 10°  
 Supply voltage: 10 ÷ 30 Vdc  
 IP code: IP 65





## ULL50040HXK0



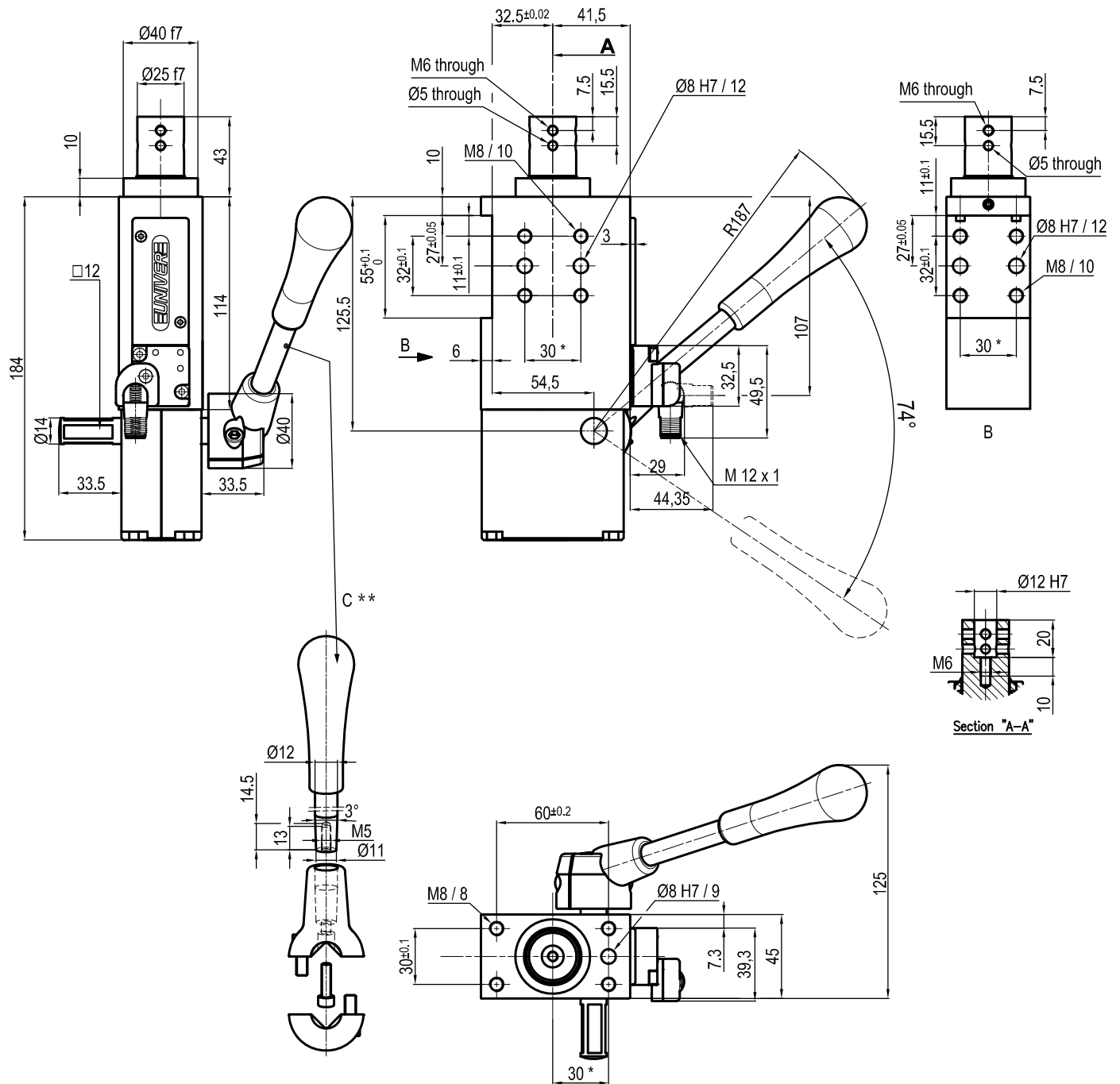
Size	Max. torque 6 Nm	Max. deflection moment 7,5 Nm	Weight
50 mm	± 0,06°	± 0,03°	2,5 Kg

\* : TOLERANCE BETWEEN DOWELS ± 0,02, BETWEEN SCREW HOLES ± 0,1  
 \*\*: DIMENSIONS TO BE RESPECTED IN CASE OTHER MANUAL LEVERS ARE USED

Subject to technical modifications without notice

Operating temperature: 5°÷ 45° C  
 Strokes in mm: 40  
 With manual lever  
 Electronic sensor with M12 swivel connector, from 0° to 90°,  
 in steps of 10°  
 Supply voltage: 10 ÷ 30 Vdc  
 IP code: IP 65

## ULL50040IXK0



Size	Max. torque 6 Nm	Max. deflection moment 7,5 Nm	Weight
50 mm	± 0,06°	± 0,03°	2,5 Kg

\* : TOLERANCE BETWEEN DOWELS ± 0,02, BETWEEN SCREW HOLES ± 0,1  
 \*\*: DIMENSIONS TO BE RESPECTED IN CASE OTHER MANUAL LEVERS ARE USED

Subject to technical modifications without notice

Operating temperature: 5°± 45° C

Strokes in mm.: 40

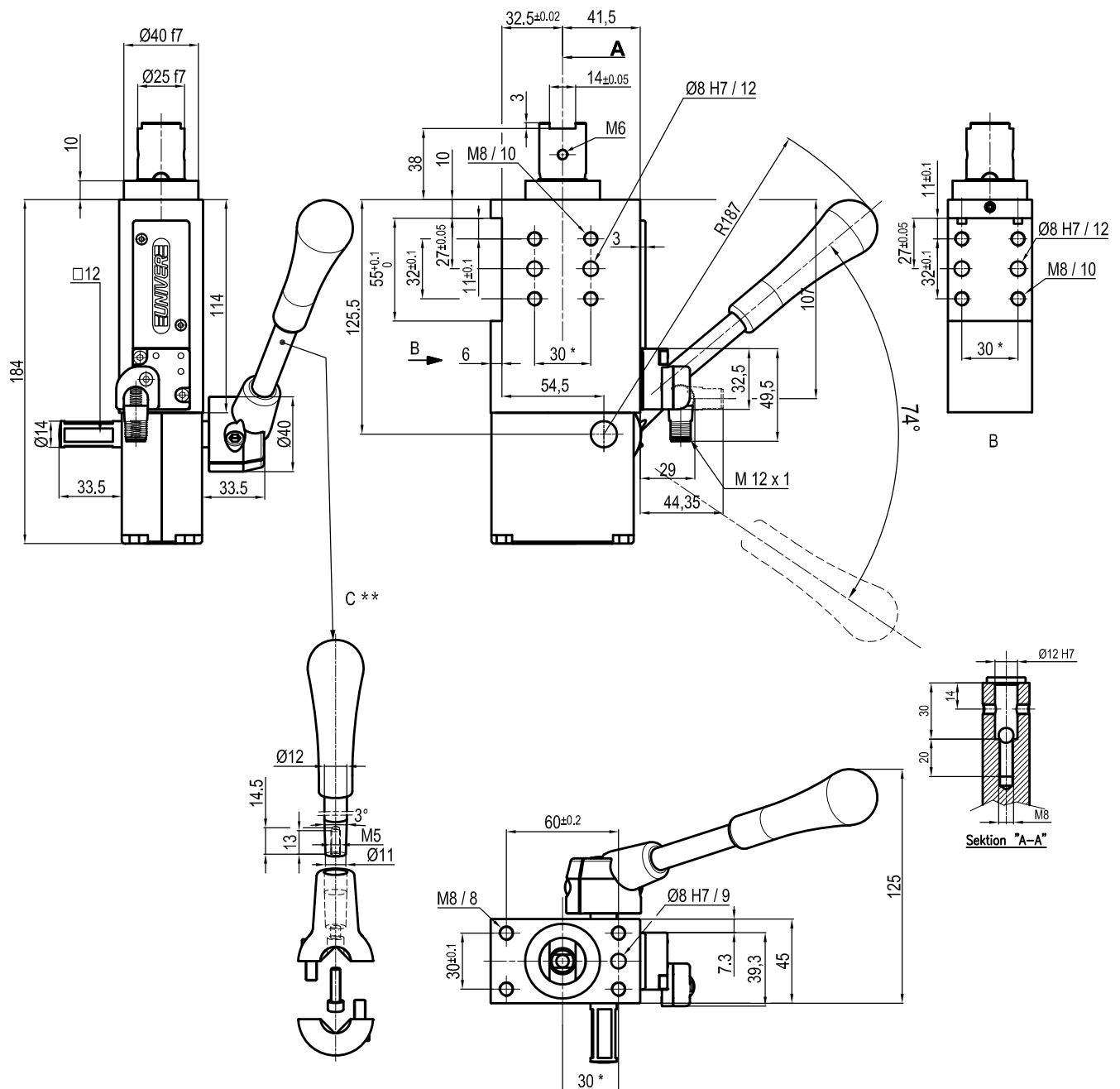
With manual lever

Electronic sensor with M12 swivel connector, from 0° to 90°, in steps of 10°

Supply voltage: 10 ÷ 30 Vdc

IP code: IP 65

## ULL50040LXK0



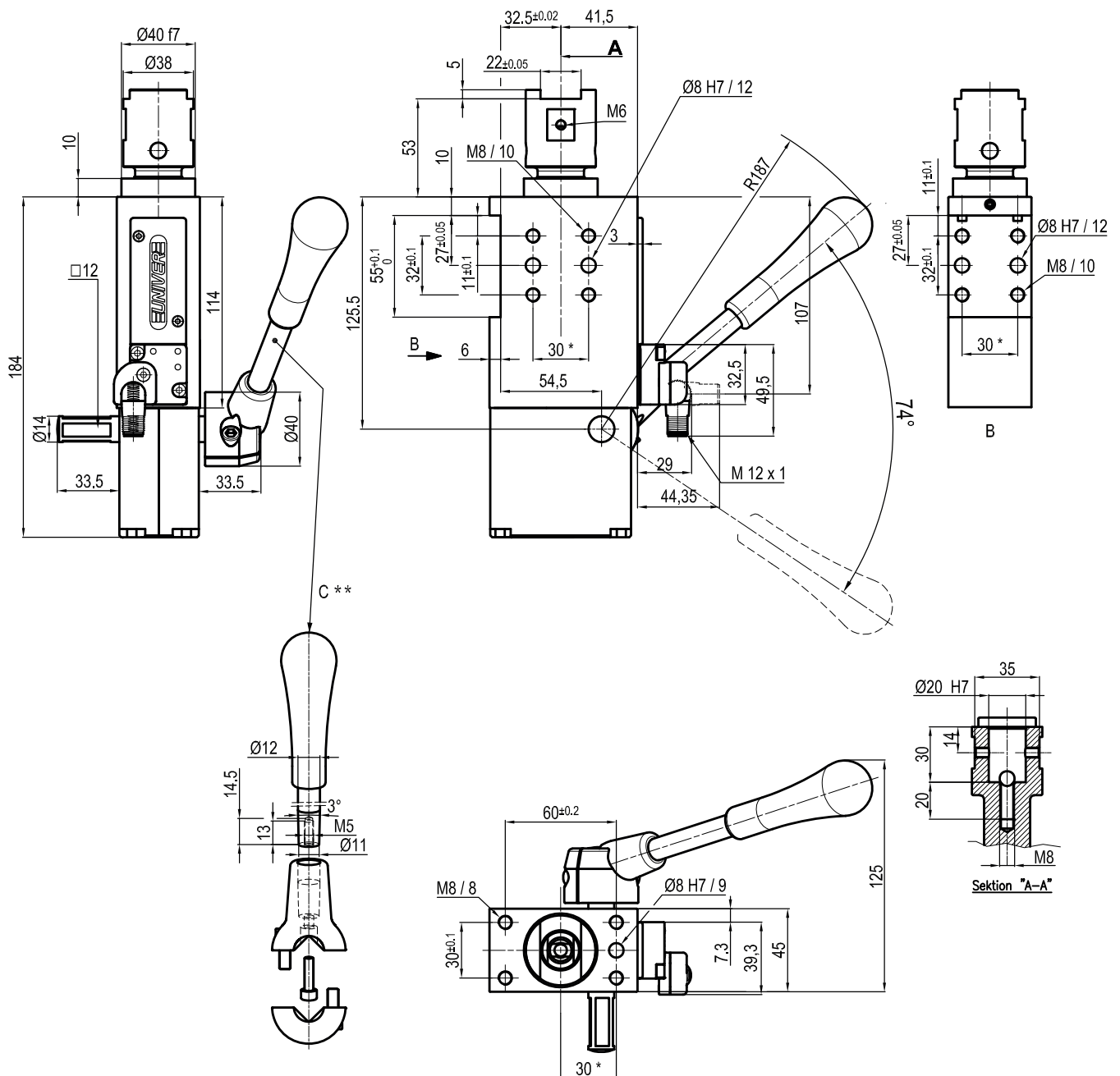
Size	Max. torque 6 Nm	Max. deflection moment 7,5 Nm	Weight
50 mm	± 0,06°	± 0,03°	2,5 Kg

\* : TOLERANCE BETWEEN DOWELS ± 0,02, BETWEEN SCREW HOLES ± 0,1  
 \*\*: DIMENSIONS TO BE RESPECTED IN CASE OTHER MANUAL LEVERS ARE USED

Subject to technical modifications without notice

Operating temperature: 5°± 45° C  
 Strokes in mm: 40  
 With manual lever  
 Electronic sensor with M12 swivel connector, from 0° to 90°,  
 in steps of 10°  
 Supply voltage: 10 ÷ 30 Vdc  
 IP code: IP 65

## ULL50040MXK0



Size	Max. torque 6 Nm	Max. deflection moment 7,5 Nm	Weight
50 mm	$\pm 0,06^\circ$	$\pm 0,03^\circ$	2,5 Kg

\* : TOLERANCE BETWEEN DOWELS  $\pm 0,02$ , BETWEEN SCREW HOLES  $\pm 0,1$   
 \*\*: DIMENSIONS TO BE RESPECTED IN CASE OTHER MANUAL LEVERS ARE USED

Subject to technical modifications without notice

Operating temperature:  $5^\circ \pm 45^\circ \text{C}$

Strokes in mm: **40**

With manual lever

Electronic sensor with M12 swivel connector, from  $0^\circ$  to  $90^\circ$ , in steps of  $10^\circ$

Supply voltage:  $10 \div 30 \text{Vdc}$

IP code: **IP 65**