

Bore Ø	Holding moment	Clamping moment (0,5 Mpa)	Weight (Tips not included)	Tip weight (each one)
40 mm	600 Nm	2200 N	2,1 Kg	0,3 Kg

 Min./Max. operating pressure: **0,4 / 0,6 MPa**

 Operating temperature: **5° ÷ 45° C**

 Opening angle: **adjustable from 0° to 53°**

With steel arm

Electronic sensor with M12 swivel connector, from 0° to 90°

 Supply voltage: **10 ÷ 30 Vdc**

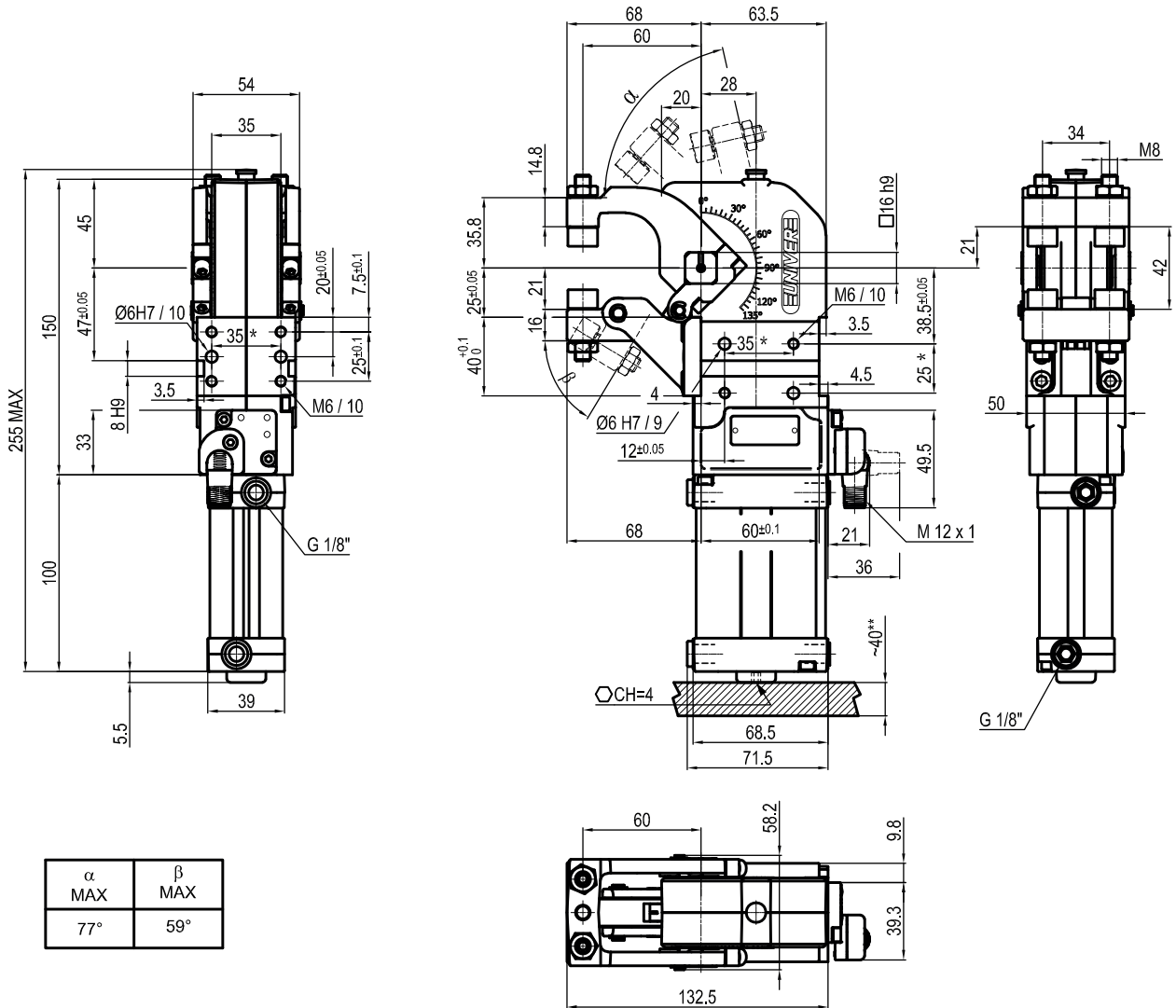
 IP code: **IP 65**

Pneumatic ports on both sides

\* : TOLERANCE BETWEEN DOWELS ± 0,02, BETWEEN SCREW HOLES ± 0,1

\*\*: AREA TO ACCESS ANGLE ADJUSTMENT

Subject to technical modifications without notice

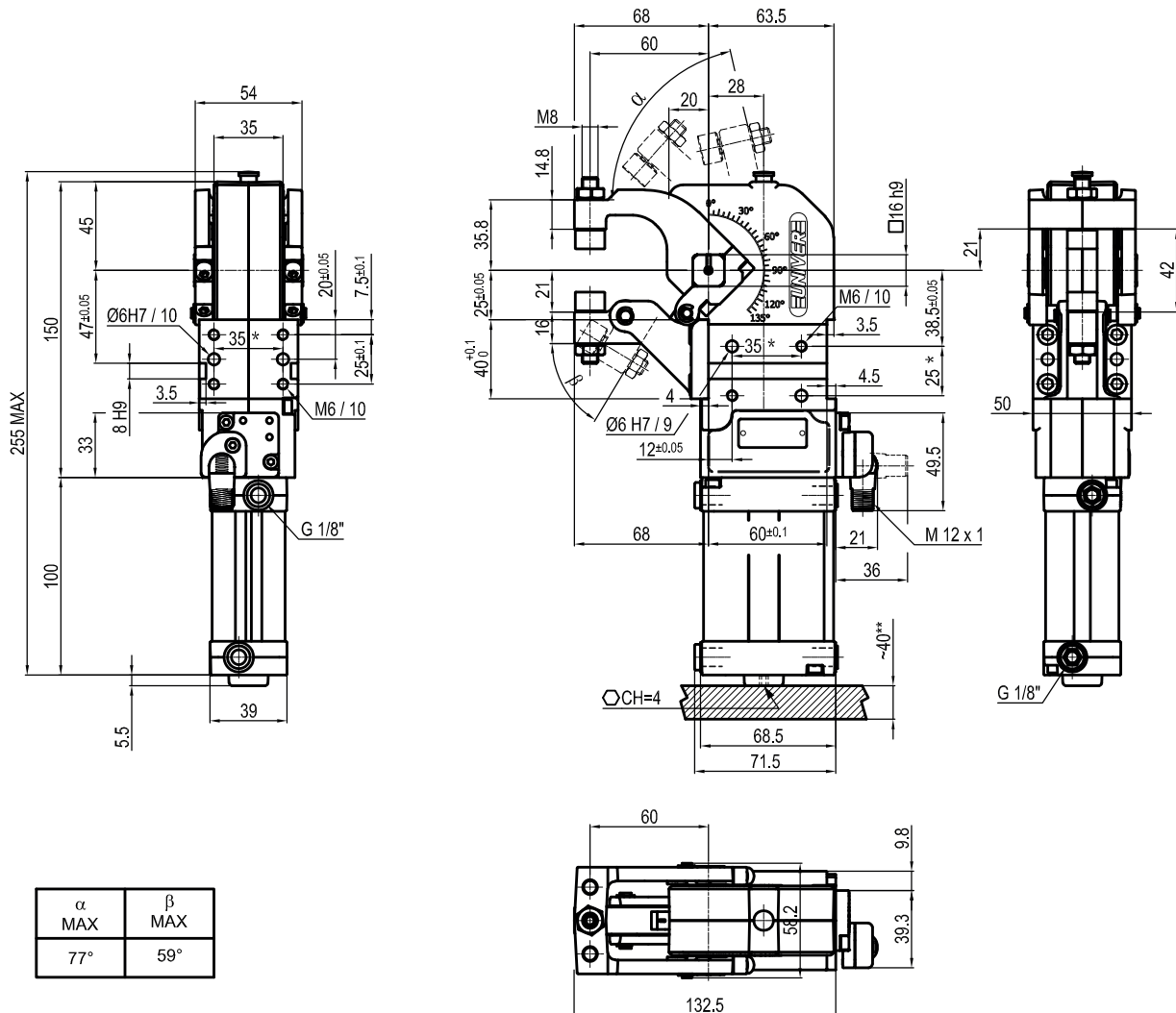


Bore Ø	Holding moment	Clamping moment (0,5 Mpa)	Weight (Tips not included)	Tip weight (each one)
40 mm	600 Nm	2800 N	2,15 Kg	0,3 Kg

Min./Max. operating pressure: **0,4 / 0,6 MPa**  
 Operating temperature: **5° ÷ 45° C**  
 Opening angle: **adjustable from 0° to 77°**  
 With steel arm  
 Electronic sensor with M12 swivel connector, from 0° to 90°  
 Supply voltage: **10 ÷ 30 Vdc**  
 IP code: **IP 65**  
 Pneumatic ports on both sides

\* : TOLERANCE BETWEEN DOWELS ± 0,02, BETWEEN SCREW HOLES ± 0,1  
 \*\*: AREA TO ACCESS ANGLE ADJUSTMENT

Subject to technical modifications without notice



$\alpha$ MAX	$\beta$ MAX
77°	59°

Bore Ø	Holding moment	Clamping moment (0,5 Mpa)	Weight (Tips not included)	Tip weight (each one)
40 mm	600 Nm	2800 N	2,05 Kg	0,3 Kg

 Min./Max. operating pressure: **0,4 / 0,6 MPa**

 Operating temperature: **5° ÷ 45° C**

 Opening angle: **adjustable from 0° to 77°**

With steel arm

Electronic sensor with M12 swivel connector, from 0° to 90°

 Supply voltage: **10 ÷ 30 Vdc**

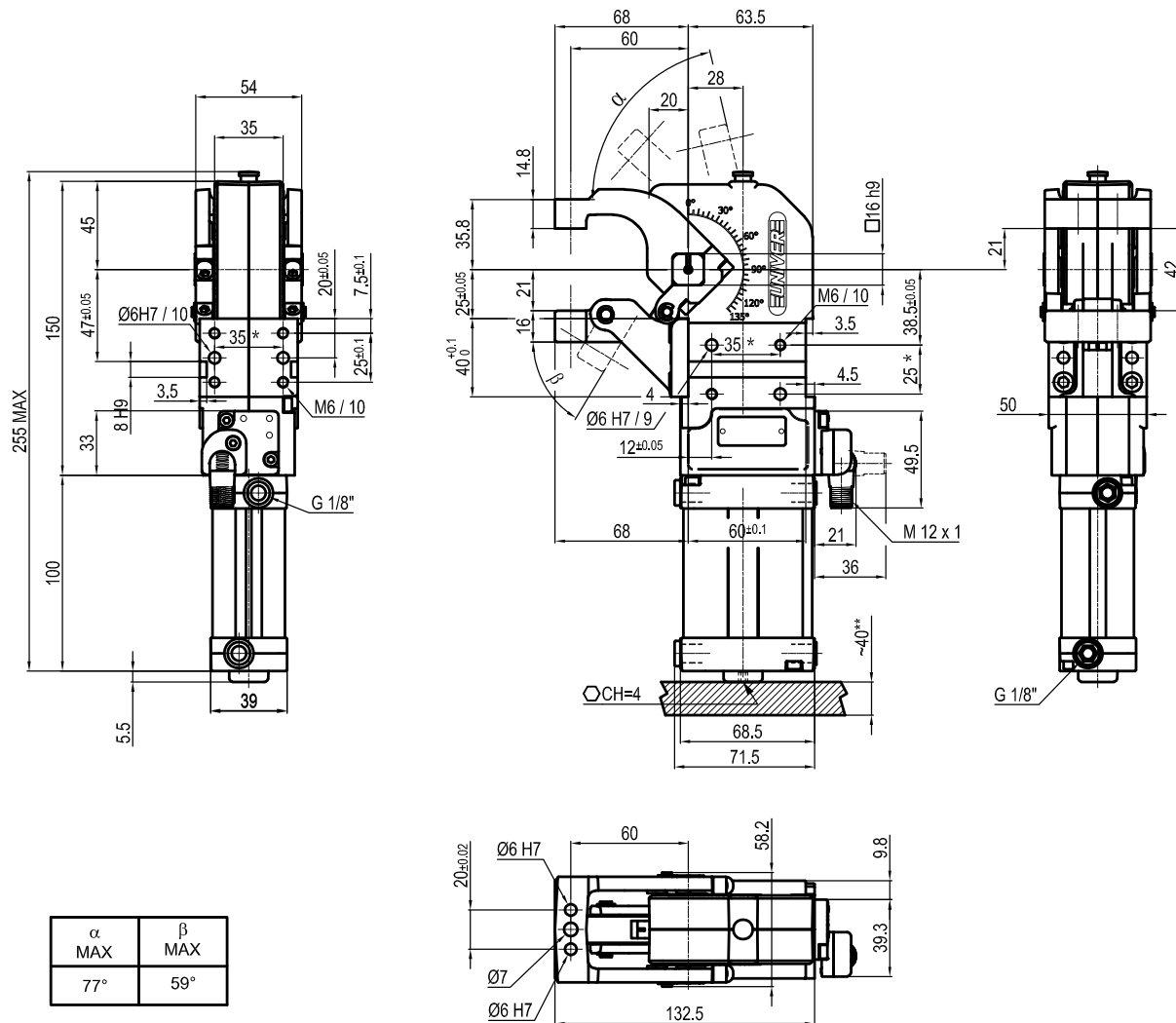
 IP code: **IP 65**

Pneumatic ports on both sides

\* : TOLERANCE BETWEEN DOWELS ± 0,02, BETWEEN SCREW HOLES ± 0,1

\*\*: AREA TO ACCESS ANGLE ADJUSTMENT

Subject to technical modifications without notice



Bore $\varnothing$	Holding moment	Clamping moment (0,5 Mpa)	Weight (Tips not included)	Tip weight (each one)
40 mm	600 Nm	2800 N	2,15 Kg	0,3 Kg

 Min./Max. operating pressure: **0,4 / 0,6 MPa**

 Operating temperature: **5° ÷ 45° C**

 Opening angle: **adjustable from 0° to 77°**

With steel arm

Electronic sensor with M12 swivel connector, from 0° to 90°

 Supply voltage: **10 ÷ 30 Vdc**

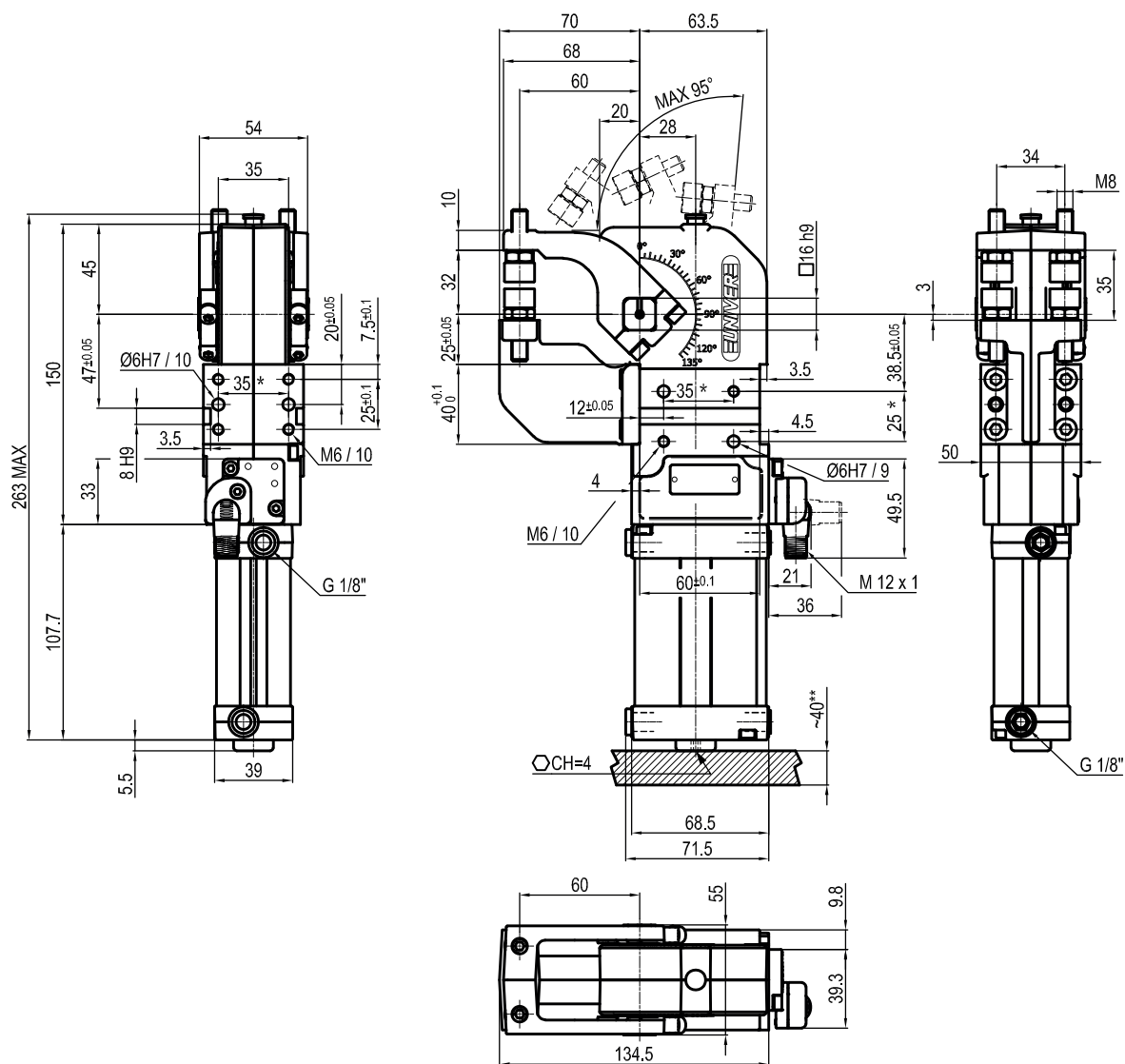
 IP code: **IP 65**

Pneumatic ports on both sides

 \* : TOLERANCE BETWEEN DOWELS  $\pm 0,02$ , BETWEEN SCREW HOLES  $\pm 0,1$ 

\*\*: AREA TO ACCESS ANGLE ADJUSTMENT

Subject to technical modifications without notice



Bore Ø	Holding moment	Clamping moment (0,5 Mpa)	Weight (Tips not included)	Tip weight (each one)
40 mm	600 Nm	2800 N	2 Kg	0,3 Kg

Min./Max. operating pressure: **0,4 / 0,6 MPa**  
 Operating temperature: **5° ÷ 45° C**  
 Opening angle: **adjustable from 0° to 95°**  
 With steel arm  
 Electronic sensor with M12 swivel connector, from 0° to 90°  
 Supply voltage: **10 ÷ 30 Vdc**  
 IP code: **IP 65**  
 Pneumatic ports on both sides

\*: TOLERANCE BETWEEN DOWELS ± 0,02, BETWEEN SCREW HOLES ± 0,1  
 \*\*: AREA TO ACCESS ANGLE ADJUSTMENT

Subject to technical modifications without notice