

\* : TOLERANCE BETWEEN DOWELS  $\pm 0,02$ , BETWEEN SCREW HOLES  $\pm 0,1$

\*\* : AREA TO ACCESS ANGLE ADJUSTMENT

\*\*\*: DIMENSIONS TO BE RESPECTED IN CASE OTHER MANUAL LEVERS ARE USED

\*\*\*\*: SCREW THREAD INSERT

Bore $\varnothing$	Holding moment	Clamping moment (0,5 MPa)	Weight (clamping arm not included)
50 mm	1250 Nm	280 Nm	3,4 Kg

Min./Max. operating pressure: **0,4 / 0,6 MPa**

Operating temperature: **5° ÷ 45° C**

Opening angle: **adjustable**

Without arm

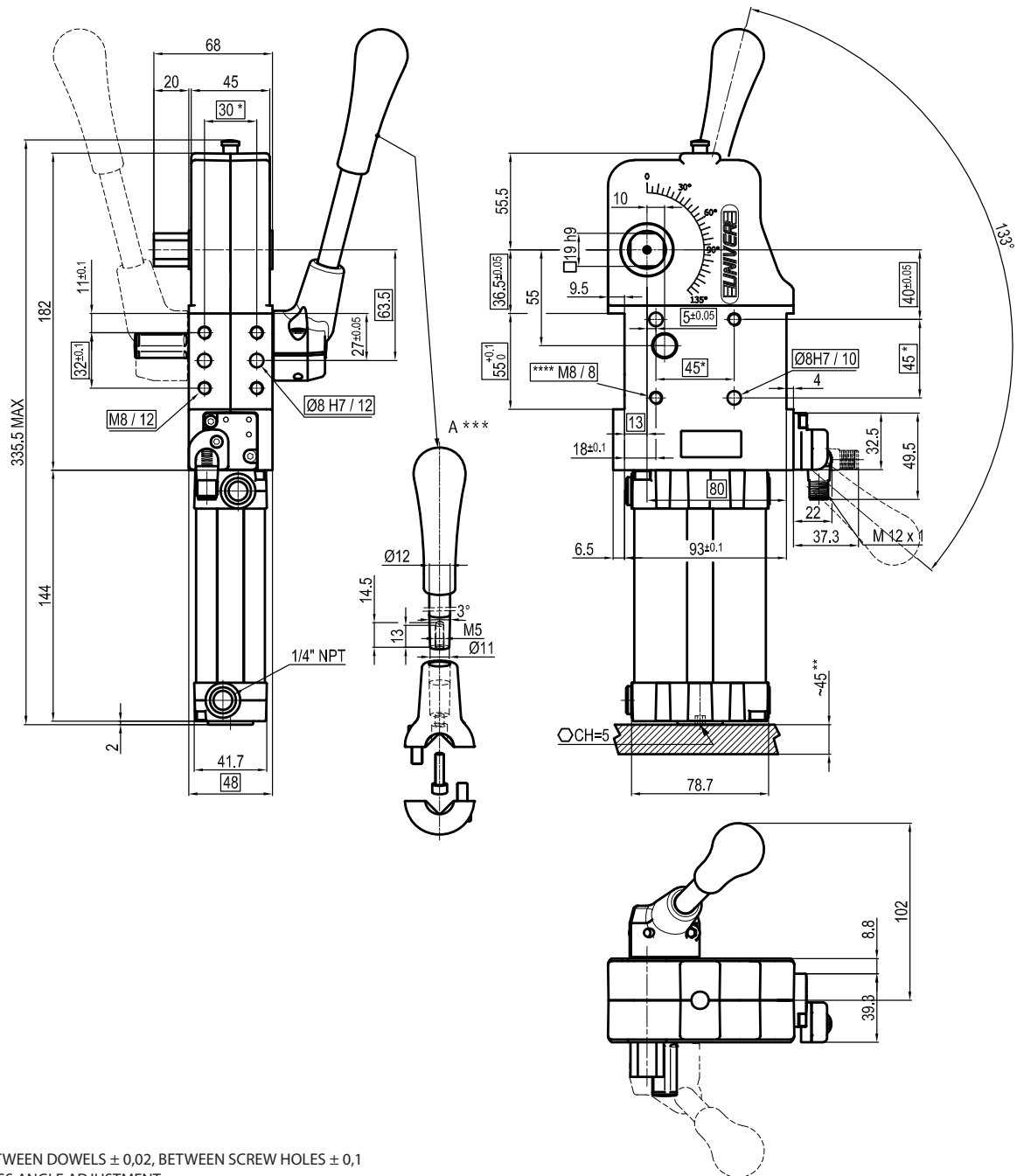
With manual lever

Electronic sensor with M12 swivel connector, from 0° to 90°

Supply voltage: **10 ÷ 30 Vdc**

IP code: **IP 65**

Pneumatic ports on both sides



\* : TOLERANCE BETWEEN DOWELS  $\pm 0,02$ , BETWEEN SCREW HOLES  $\pm 0,1$

\*\* : AREA TO ACCESS ANGLE ADJUSTMENT

\*\*\*: DIMENSIONS TO BE RESPECTED IN CASE OTHER MANUAL LEVERS ARE USED

\*\*\*\*: SCREW THREAD INSERT

Bore $\varnothing$	Holding moment	Clamping moment (0,5 MPa)	Weight (clamping arm not included)
50 mm	1250 Nm	280 Nm	3,4 Kg

Min./Max. operating pressure: **0,4 / 0,6 MPa**

Operating temperature: **5° ÷ 45° C**

Opening angle: **adjustable**

Without arm

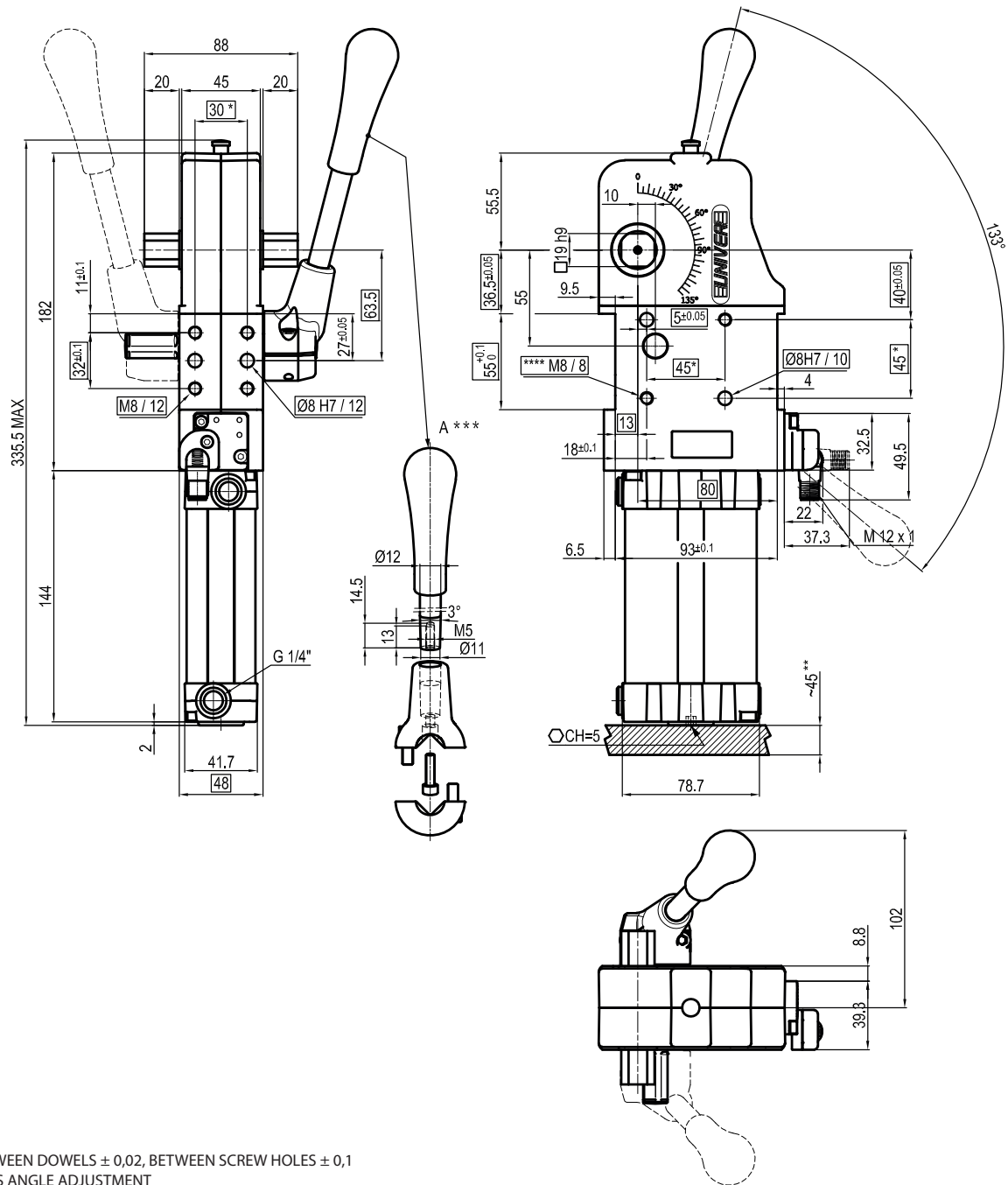
With manual lever

Electronic sensor with M12 swivel connector, from 0° to 90°

Supply voltage: **10 ÷ 30 Vdc**

IP code: **IP 65**

Pneumatic ports on both sides



\* : TOLERANCE BETWEEN DOWELS  $\pm 0,02$ , BETWEEN SCREW HOLES  $\pm 0,1$

\*\* : AREA TO ACCESS ANGLE ADJUSTMENT

\*\*\*: DIMENSIONS TO BE RESPECTED IN CASE OTHER MANUAL LEVERS ARE USED

\*\*\*\*: SCREW THREAD INSERT

Bore $\varnothing$	Holding moment	Clamping moment (0,5 MPa)	Weight (clamping arm not included)
50 mm	1250 Nm	280 Nm	3,4 Kg

Min./Max. operating pressure: **0,4 / 0,6 MPa**

Operating temperature: **5° ÷ 45° C**

Opening angle: **adjustable**

Without arm

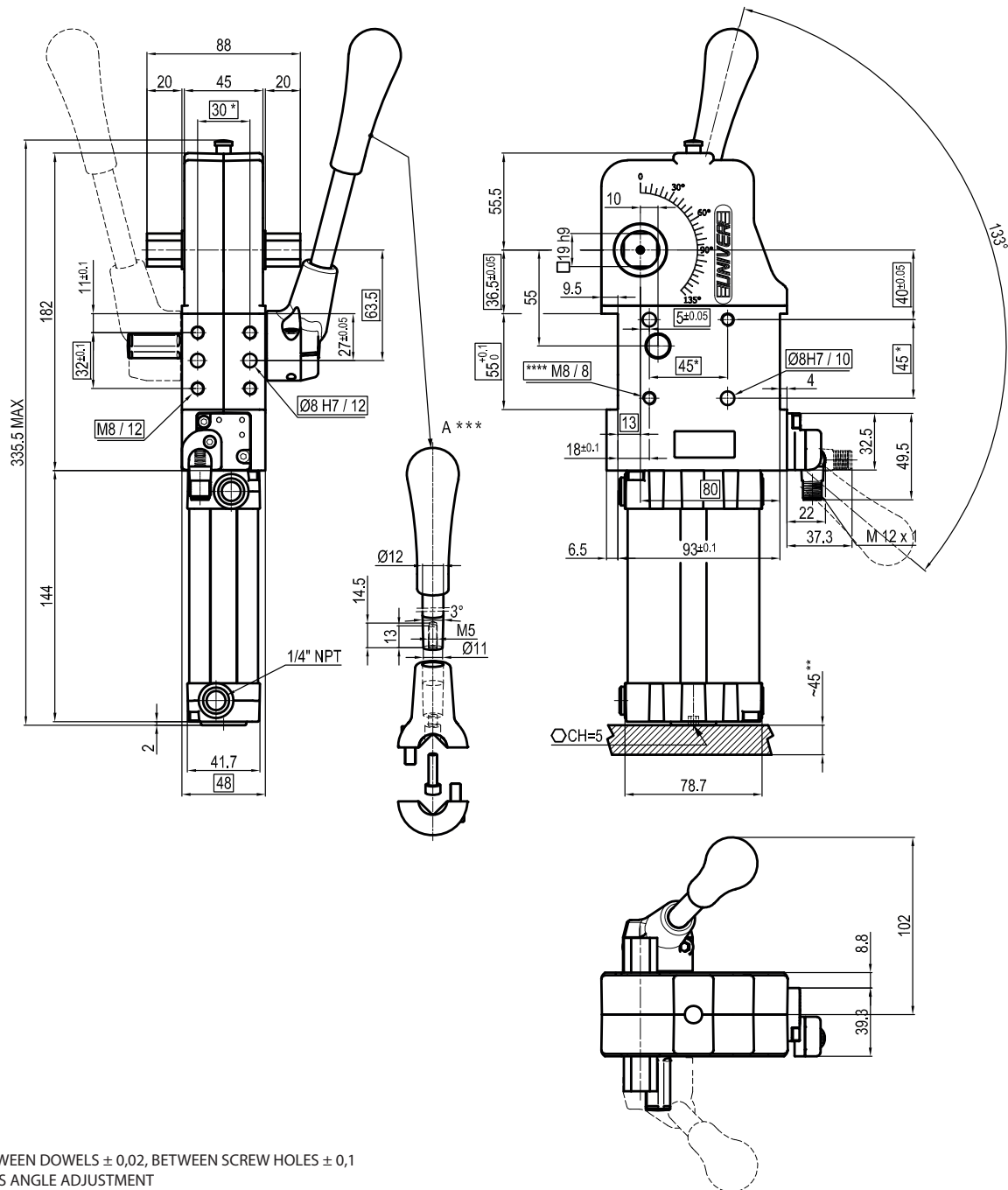
With manual lever

Electronic sensor with M12 swivel connector, from 0° to 90°

Supply voltage: **10 ÷ 30 Vdc**

IP code: **IP 65**

Pneumatic ports on both sides



\* : TOLERANCE BETWEEN DOWELS  $\pm 0,02$ , BETWEEN SCREW HOLES  $\pm 0,1$

\*\* : AREA TO ACCESS ANGLE ADJUSTMENT

\*\*\*: DIMENSIONS TO BE RESPECTED IN CASE OTHER MANUAL LEVERS ARE USED

\*\*\*\*: SCREW THREAD INSERT

Bore $\varnothing$	Holding moment	Clamping moment (0,5 MPa)	Weight (clamping arm not included)
50 mm	1250 Nm	280 Nm	3,4 Kg

Min./Max. operating pressure: **0,4 / 0,6 MPa**

Operating temperature: **5° ÷ 45° C**

Opening angle: **adjustable**

Without arm

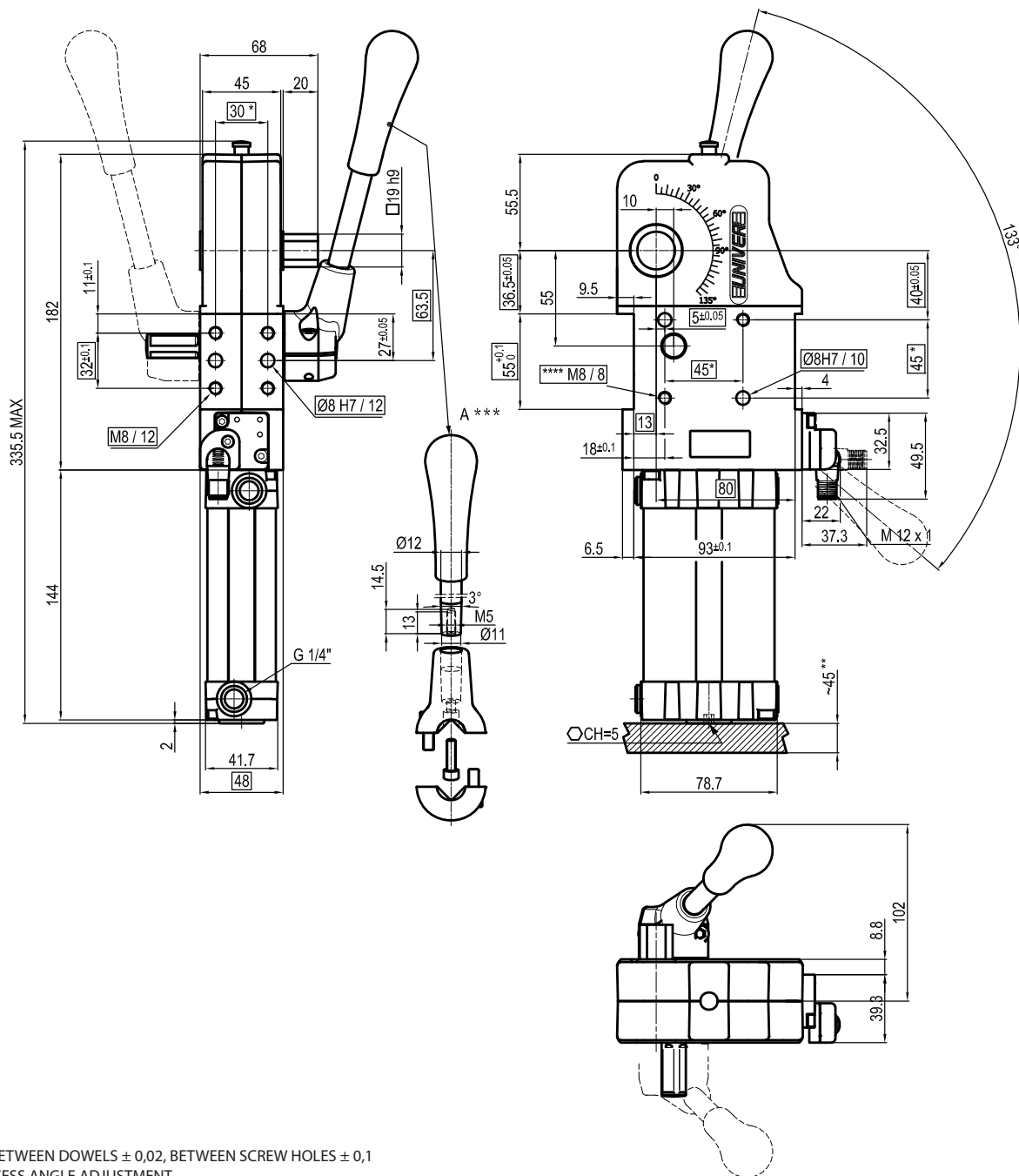
With manual lever

Electronic sensor with M12 swivel connector, from 0° to 90°

Supply voltage: **10 ÷ 30 Vdc**

IP code: **IP 65**

Pneumatic ports on both sides



\* : TOLERANCE BETWEEN DOWELS  $\pm 0,02$ , BETWEEN SCREW HOLES  $\pm 0,1$

\*\* : AREA TO ACCESS ANGLE ADJUSTMENT

\*\*\*: DIMENSIONS TO BE RESPECTED IN CASE OTHER MANUAL LEVERS ARE USED

\*\*\*\*: SCREW THREAD INSERT

Bore $\varnothing$	Holding moment	Clamping moment (0,5 MPa)	Weight (clamping arm not included)
50 mm	1250 Nm	280 Nm	3,4 Kg

Min./Max. operating pressure: **0,4 / 0,6 MPa**

Operating temperature: **5° ÷ 45° C**

Opening angle: **adjustable**

Without arm

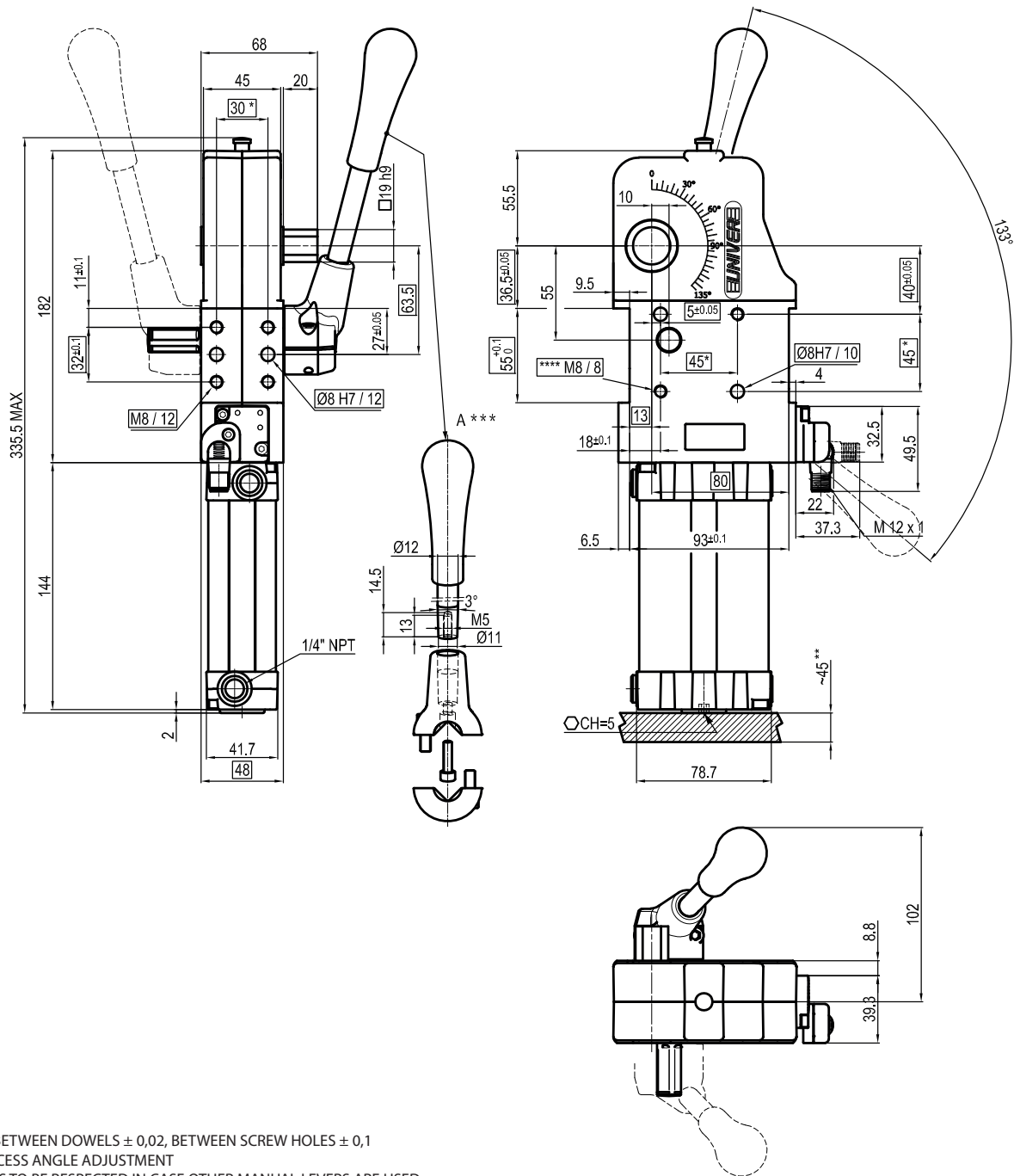
With manual lever

Electronic sensor with M12 swivel connector, from 0° to 90°

Supply voltage: **10 ÷ 30 Vdc**

IP code: **IP 65**

Pneumatic ports on both sides



\* : TOLERANCE BETWEEN DOWELS  $\pm 0,02$ , BETWEEN SCREW HOLES  $\pm 0,1$   
 \*\* : AREA TO ACCESS ANGLE ADJUSTMENT  
 \*\*\*. DIMENSIONS TO BE RESPECTED IN CASE OTHER MANUAL LEVERS ARE USED  
 \*\*\*\*: SCREW THREAD INSERT

Bore $\varnothing$	Holding moment	Clamping moment (0,5 MPa)	Weight (clamping arm not included)
50 mm	1250 Nm	280 Nm	3,4 Kg

Min./Max. operating pressure: **0,4 / 0,6 MPa**  
 Operating temperature: **5° ÷ 45° C**  
 Opening angle: **adjustable**  
 Without arm  
 With manual lever  
 Electronic sensor with M12 swivel connector, from 0° to 90°  
 Supply voltage: **10 ÷ 30 Vdc**  
 IP code: **IP 65**  
 Pneumatic ports on both sides