

* : TOLERANCE BETWEEN DOWELS $\pm 0,02$, BETWEEN SCREW HOLES $\pm 0,1$

** : AREA TO ACCESS ANGLE ADJUSTMENT

Bore \varnothing	Clamping moment (0,5 MPa)	Weight (clamping arm not included)
40 mm	55 Nm	2,7 Kg

Min./Max. operating pressure: **0,4 / 0,6 MPa**

Operating temperature: **5° ÷ 45° C**

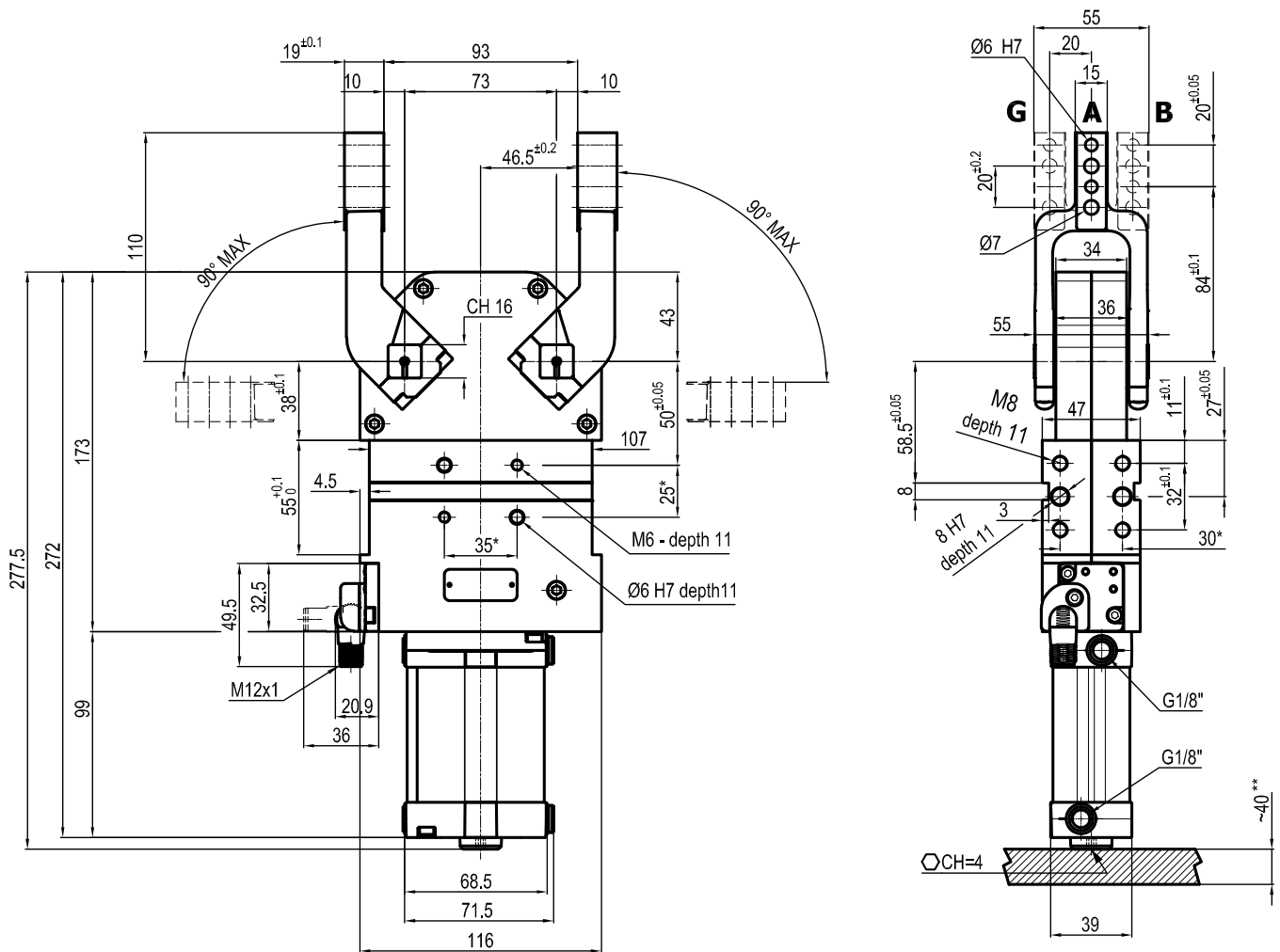
Opening angle: **adjustable**

Electronic sensor with M12 swivel connector, from 0° to 90°

Supply voltage: **10 ÷ 30 Vdc**

IP code: **IP 65**

Pneumatic ports on both sides



* : TOLERANCE BETWEEN DOWELS $\pm 0,02$, BETWEEN SCREW HOLES $\pm 0,1$

** : AREA TO ACCESS ANGLE ADJUSTMENT

UCDP40D _ _ K0
6 7
6 ARM STYLE

A = Central
B = Right
G = Left

7 ARM TYPE

A = Aluminium
S = Steel

Bore \varnothing	Clamping moment (0,5 MPa)	Weight (clamping arm not included)
40 mm	55 Nm	2,7 Kg

Min./Max. operating pressure: **0,4 / 0,6 MPa**

Operating temperature: **5° ÷ 45° C**

Opening angle: **adjustable from 0° to 90°**

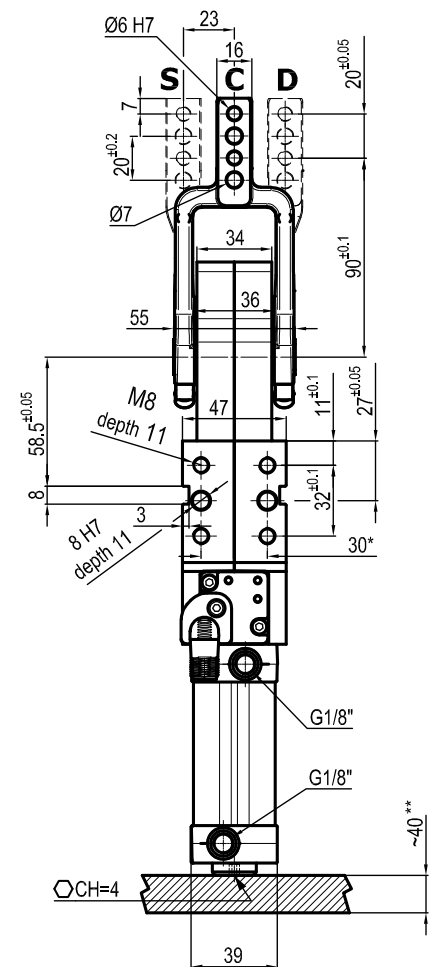
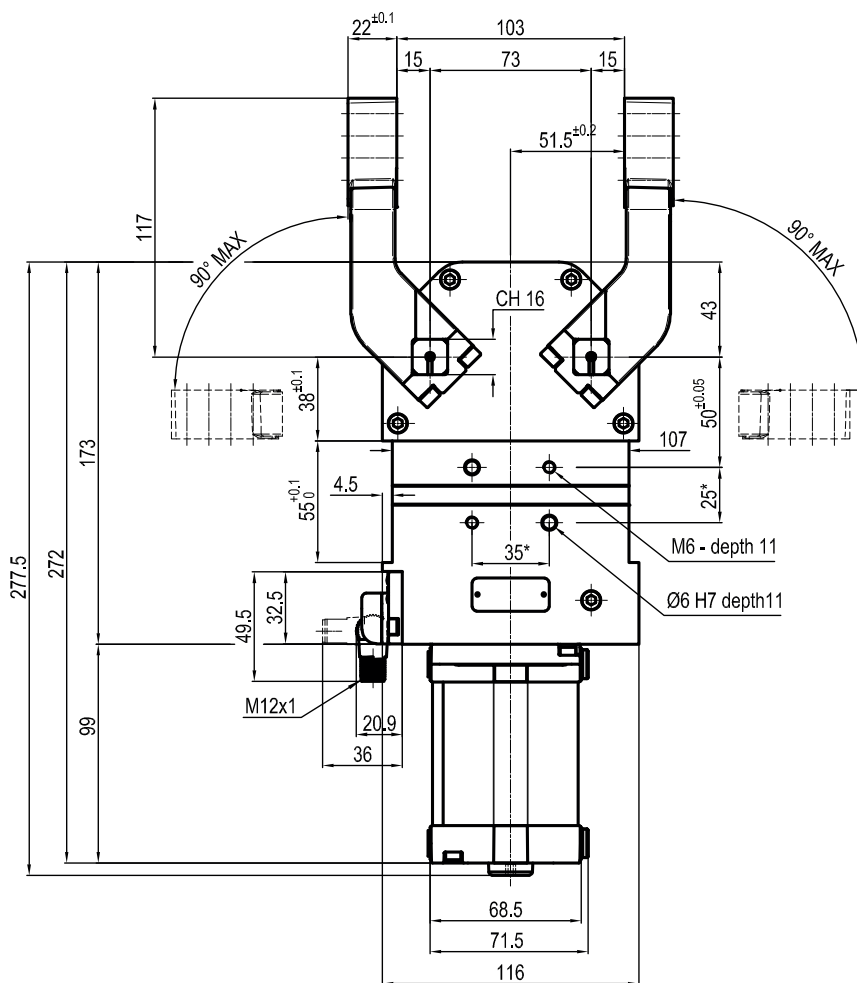
Electronic sensor with M12 swivel connector, from 0° to 90°

Supply voltage: **10 ÷ 30 Vdc**

IP code: **IP 65**

Pneumatic ports on both sides

Subject to technical modifications without notice



* : TOLERANCE BETWEEN DOWELS $\pm 0,02$, BETWEEN SCREW HOLES $\pm 0,1$
 ** : AREA TO ACCESS ANGLE ADJUSTMENT

UCDP40D _ _ K0
6 7
6 ARM STYLE

 C = Central
 D = Right
 S = Left

7 ARM TYPE

 A = Aluminium
 S = Steel

Bore \varnothing	Clamping moment (0,5 MPa)	Weight (clamping arm not included)
40 mm	55 Nm	2,7 Kg

 Min./Max. operating pressure: **0,4 / 0,6 MPa**

 Operating temperature: **5° ÷ 45° C**

 Opening angle: **adjustable from 0° to 90°**

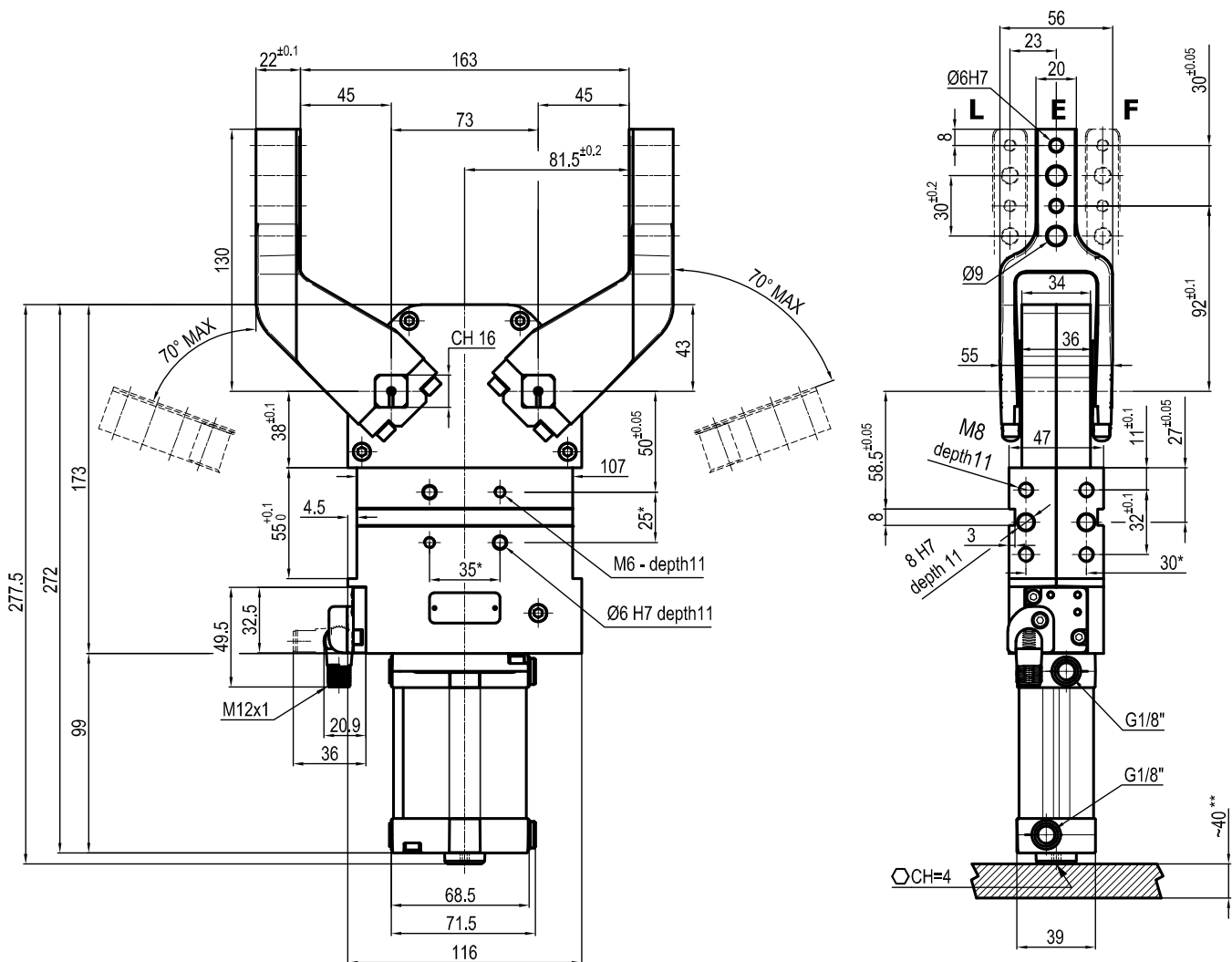
Electronic sensor with M12 swivel connector, from 0° to 90°

Supply voltage: 10 ÷ 30 Vdc

 IP code: **IP 65**

Pneumatic ports on both sides

Subject to technical modifications without notice



* : TOLERANCE BETWEEN DOWELS ± 0,02, BETWEEN SCREW HOLES ± 0,1

** : AREA TO ACCESS ANGLE ADJUSTMENT

UCDP40D _ _ K0
6 ARM STYLE

7 ARM TYPE

6 7

E = Central
F = Right
L = Left

A = Aluminium
S = Steel

Bore Ø	Clamping moment (0,5 MPa)	Weight (clamping arm not included)
40 mm	55 Nm	2,7 Kg

Min./Max. operating pressure: **0,4 / 0,6 MPa**

Operating temperature: **5° ÷ 45° C**

Opening angle: **adjustable from 0° to 70°**

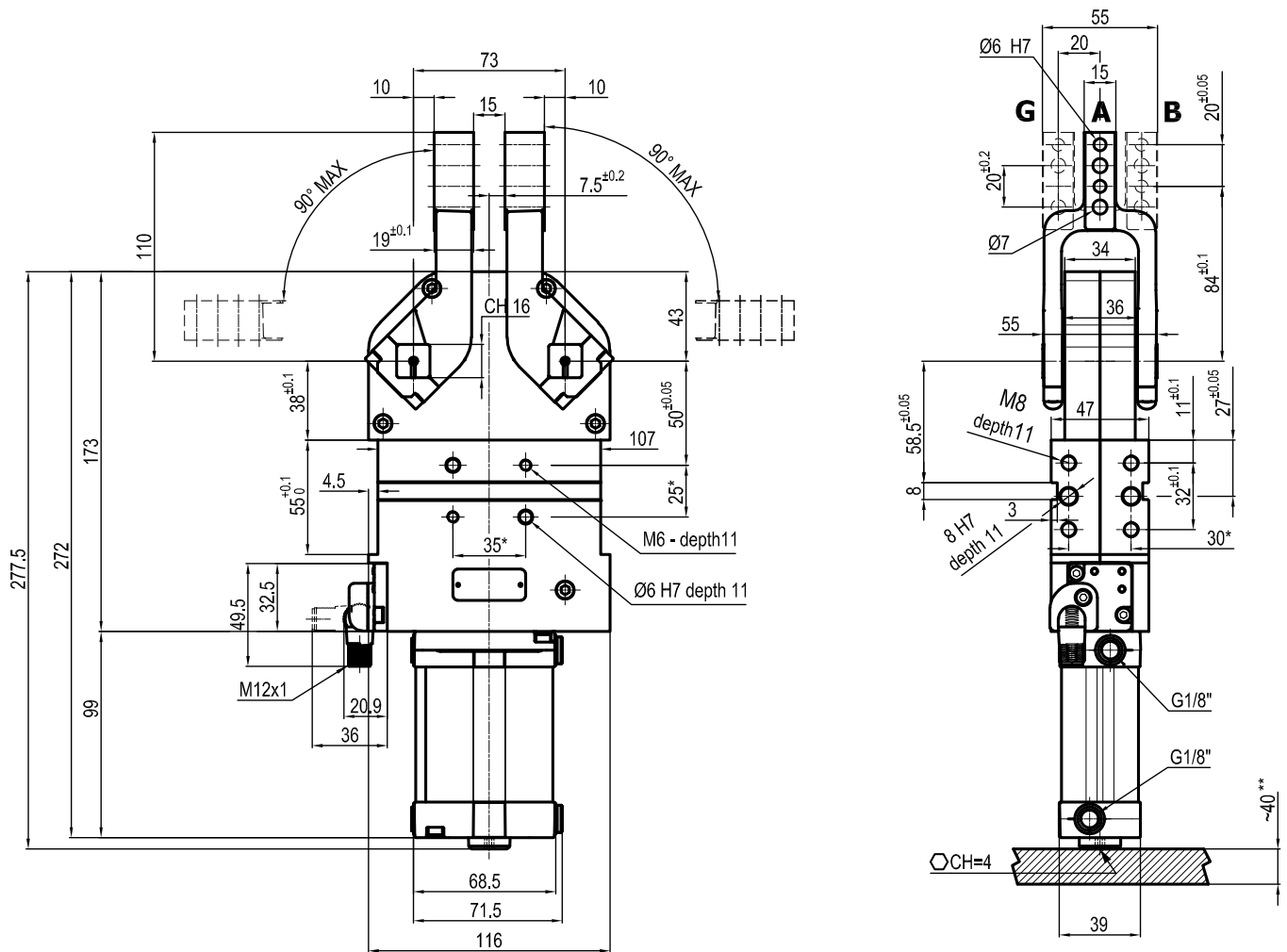
Electronic sensor with M12 swivel connector, from 0° to 90°

Supply voltage: **10 ÷ 30 Vdc**

IP code: **IP 65**

Pneumatic ports on both sides

Subject to technical modifications without notice



* : TOLERANCE BETWEEN DOWELS $\pm 0,02$, BETWEEN SCREW HOLES $\pm 0,1$

** : AREA TO ACCESS ANGLE ADJUSTMENT

UCDP40I _ _ K0
6 7
6 ARM STYLE

A = Central
B = Right
G = Left

7 ARM TYPE

A = Aluminium
S = Steel

Bore \varnothing	Clamping moment (0,5 MPa)	Weight (clamping arm not included)
40 mm	55 Nm	2,7 Kg

Min./Max. operating pressure: **0,4 / 0,6 MPa**

Operating temperature: **5° ÷ 45° C**

Opening angle: **adjustable from 0° to 90°**

Electronic sensor with M12 swivel connector, from 0° to 90°

Supply voltage: **10 ÷ 30 Vdc**

IP code: **IP 65**

Pneumatic ports on both sides

Subject to technical modifications without notice