

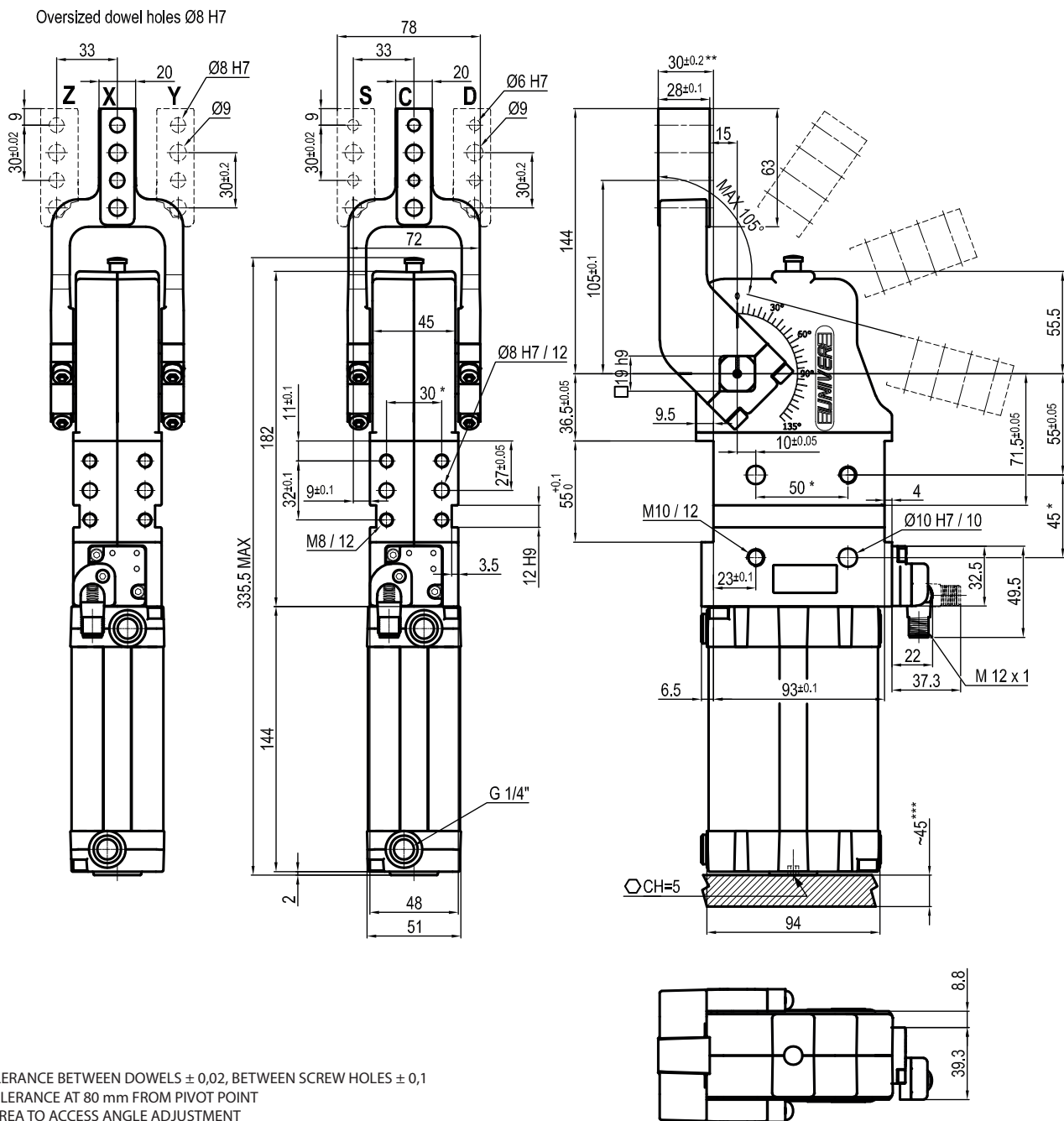
\*: TOLERANCE BETWEEN DOWELS  $\pm 0,02$ , BETWEEN SCREW HOLES  $\pm 0,1$   
 \*\*: AREA TO ACCESS ANGLE ADJUSTMENT

Bore $\varnothing$	Holding moment	Clamping moment (0,5 MPa)	Weight (clamping arm not included)
63 mm	1750 Nm	420 Nm	2,9 Kg

Min./Max. operating pressure: **0,4 / 0,6 MPa**  
 Operating temperature: **5° ÷ 45° C**  
 Opening angle: **adjustable**  
 Without arm  
 Electronic sensor with M12 swivel connector, from 0° to 90°  
 Supply voltage: **10 ÷ 30 Vdc**  
 IP code: **IP 65**  
 Pneumatic ports on both sides

Subject to technical modifications without notice

Rev. 02 26.01.22



\*: TOLERANCE BETWEEN DOWELS ± 0,02, BETWEEN SCREW HOLES ± 0,1

\*\* : TOLERANCE AT 80 mm FROM PIVOT POINT

\*\*\* : AREA TO ACCESS ANGLE ADJUSTMENT

**UCBP630 \_ \_ K0**
**6 7**
**6** ARM STYLE

C = Central  
D = Right  
S = Left

**7** ARM TYPE

A = Aluminium  
S = Steel

Bore Ø	Holding moment	Clamping moment (0,5 MPa)	Weight (clamping arm not included)
63 mm	1750 Nm	420 Nm	2,9 Kg

Min./Max. operating pressure: **0,4 / 0,6 MPa**

Operating temperature: **5° ÷ 45° C**

Opening angle: **adjustable from 0° to 105°**

Arm position: **180°**

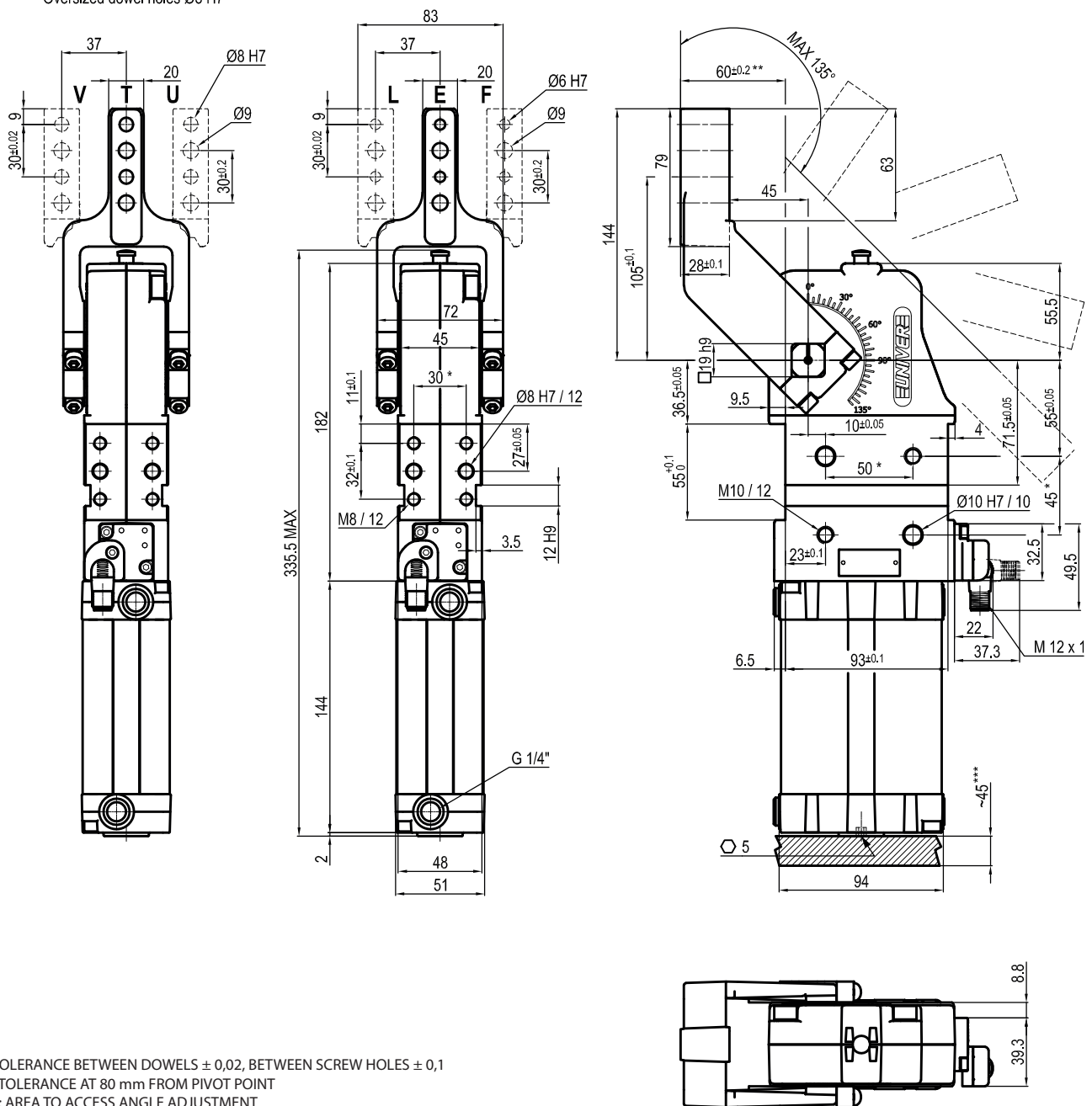
Electronic sensor with M12 swivel connector, from 0° to 90°

Supply voltage: **10 ÷ 30 Vdc**

IP code: **IP 65**

Pneumatic ports on both sides

Oversized dowel holes Ø8 H7


 \*: TOLERANCE BETWEEN DOWELS  $\pm 0,02$ , BETWEEN SCREW HOLES  $\pm 0,1$ 

\*\*: TOLERANCE AT 80 mm FROM PIVOT POINT

\*\*\*: AREA TO ACCESS ANGLE ADJUSTMENT

**UCBP630 \_ \_ K0**
**6 7**
**6** ARM STYLE

 E = Central  
 F = Right  
 L = Left

**7** ARM TYPE

 A = Aluminium  
 S = Steel

Bore Ø	Holding moment	Clamping moment (0,5 MPa)	Weight (clamping arm not included)
63 mm	1750 Nm	420 Nm	2,9 Kg

 Min./Max. operating pressure: **0,4 / 0,6 MPa**

 Operating temperature: **5° ÷ 45° C**

 Opening angle: **adjustable from 0° to 135°**

 Arm position: **180°**

Electronic sensor with M12 swivel connector, from 0° to 90°

 Supply voltage: **10 ÷ 30 Vdc**

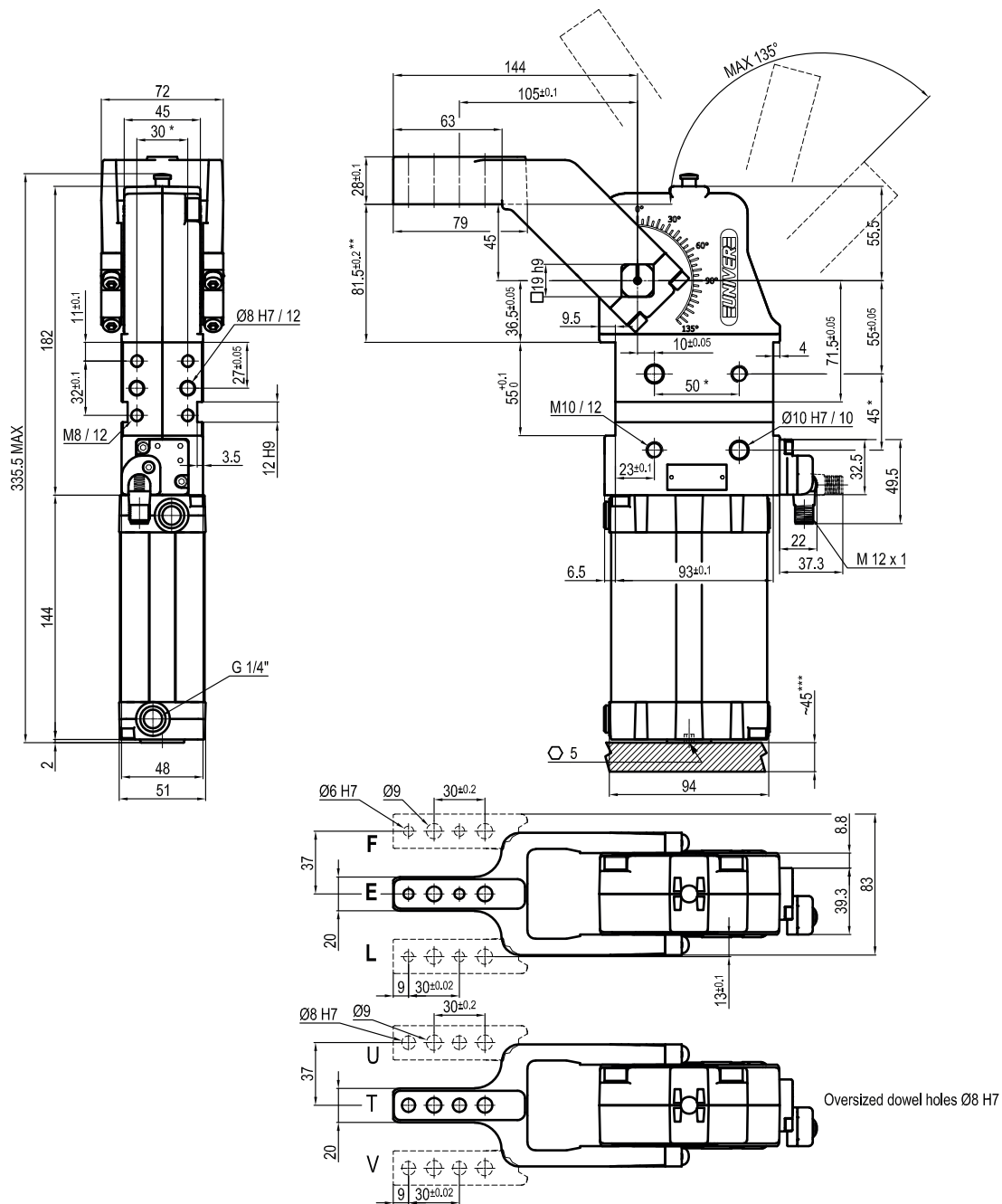
 IP code: **IP 65**

Pneumatic ports on both sides

Subject to technical modifications without notice

Rev. 00 11.11.19





\* : TOLERANCE BETWEEN DOWELS ± 0,02, BETWEEN SCREW HOLES ± 0,1

\*\* : TOLERANCE AT 80 mm FROM PIVOT POINT

\*\*\* : AREA TO ACCESS ANGLE ADJUSTMENT

## UCBP63V \_\_ K0

**6** ARM STYLE

**7** ARM TYPE

**6 7**

E = Central  
F = Right  
L = Left

A = Aluminium  
S = Steel

Bore Ø	Holding moment	Clamping moment (0,5 MPa)	Weight (clamping arm not included)
63 mm	1750 Nm	420 Nm	2,9 Kg

Min./Max. operating pressure: **0,4 / 0,6 MPa**

Operating temperature: **5° ÷ 45° C**

Opening angle: **adjustable from 0° to 135°**

Arm position: **90°**

Electronic sensor with M12 swivel connector, from 0° to 90°

Supply voltage: **10 ÷ 30 Vdc**

IP code: **IP 65**

Pneumatic ports on both sides

Subject to technical modifications without notice