

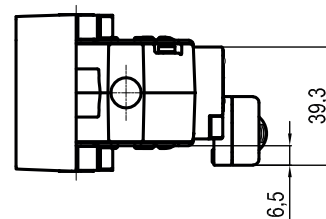
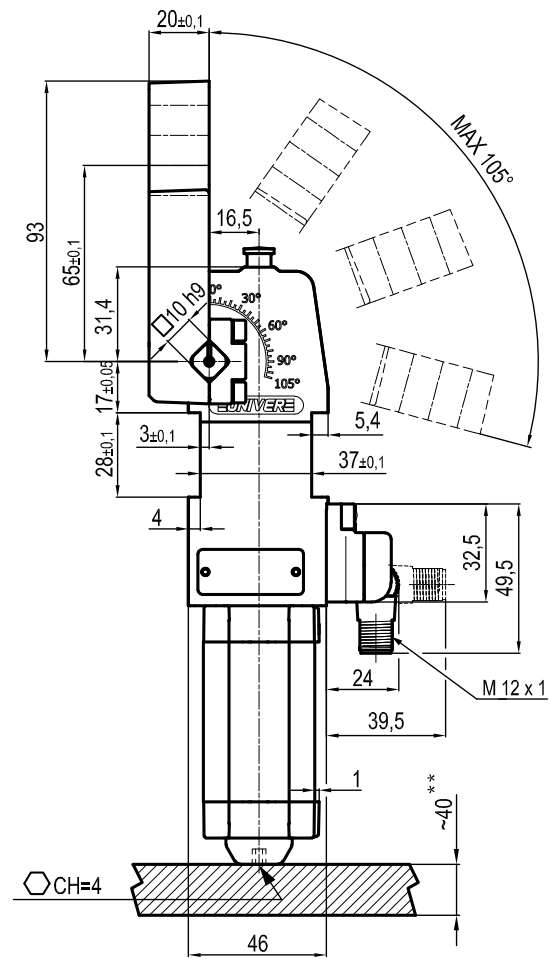
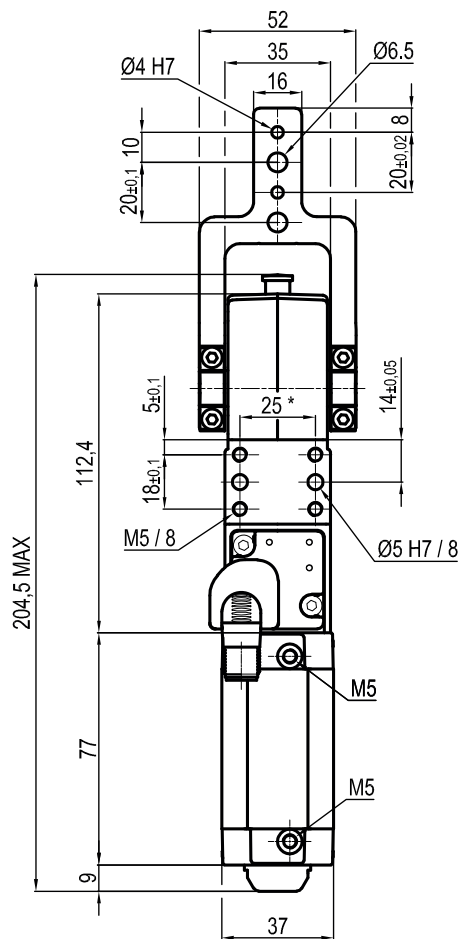
*: TOLERANCE BETWEEN DOWELS $\pm 0,02$, BETWEEN SCREW HOLES $\pm 0,1$
 **: AREA TO ACCESS ANGLE ADJUSTMENT

Bore \varnothing	Holding moment	Clamping moment (0,5 MPa)	Weight (clamping arm not included)
25 mm	75 Nm	25 Nm	0,8 Kg

Min./Max. operating pressure: **0,4 / 0,6 MPa**
 Operating temperature: **5° ÷ 45° C**
 Opening angle: **adjustable**
 Without arm
 Electronic sensor with M12 swivel connector, from 0° to 90°
 Supply voltage: **10 ÷ 30 Vdc**
 IP code: **IP 65**

Subject to technical modifications without notice

Rev. 01 23.09.20

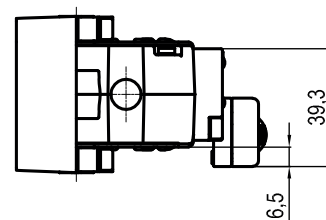
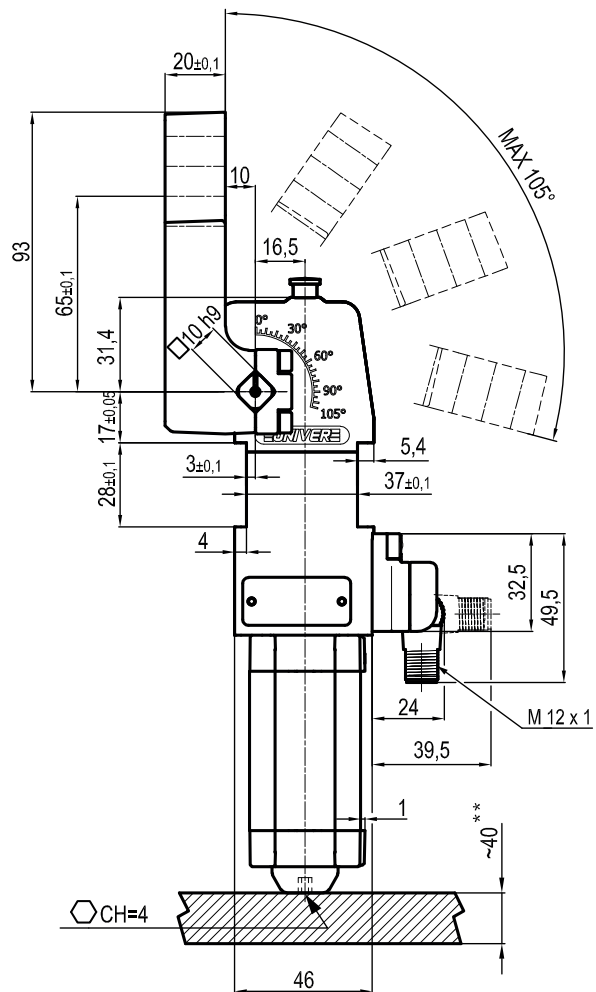
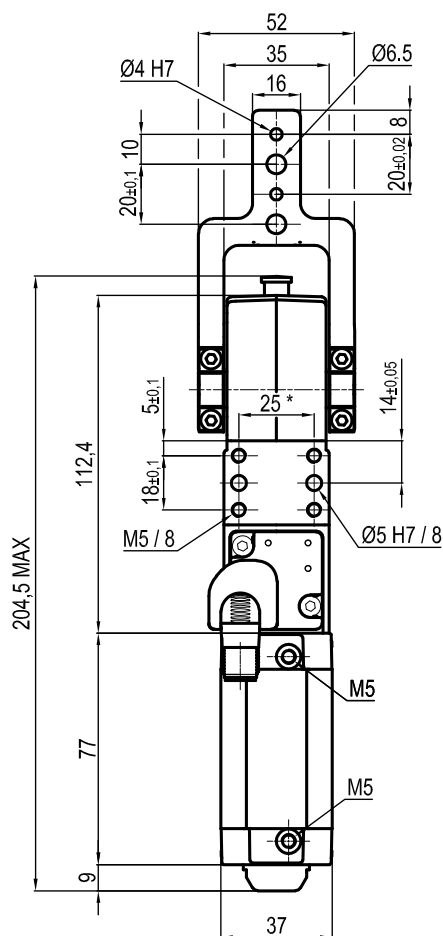


* : TOLERANCE BETWEEN DOWELS $\pm 0,02$, BETWEEN SCREW HOLES $\pm 0,1$
 **: AREA TO ACCESS ANGLE ADJUSTMENT

Bore \varnothing	Holding moment	Clamping moment (0,5 MPa)	Weight (clamping arm not included)
25 mm	75 Nm	25 Nm	0,8 Kg

Min./Max. operating pressure: **0,4 / 0,6 MPa**
 Operating temperature: **5° ÷ 45° C**
 Opening angle: **adjustable from 0° to 105°**
 Arm position: **180°**
 Electronic sensor with M12 swivel connector, from 0° to 90°
 Supply voltage: **10 ÷ 30 Vdc**
 IP code: **IP 65**

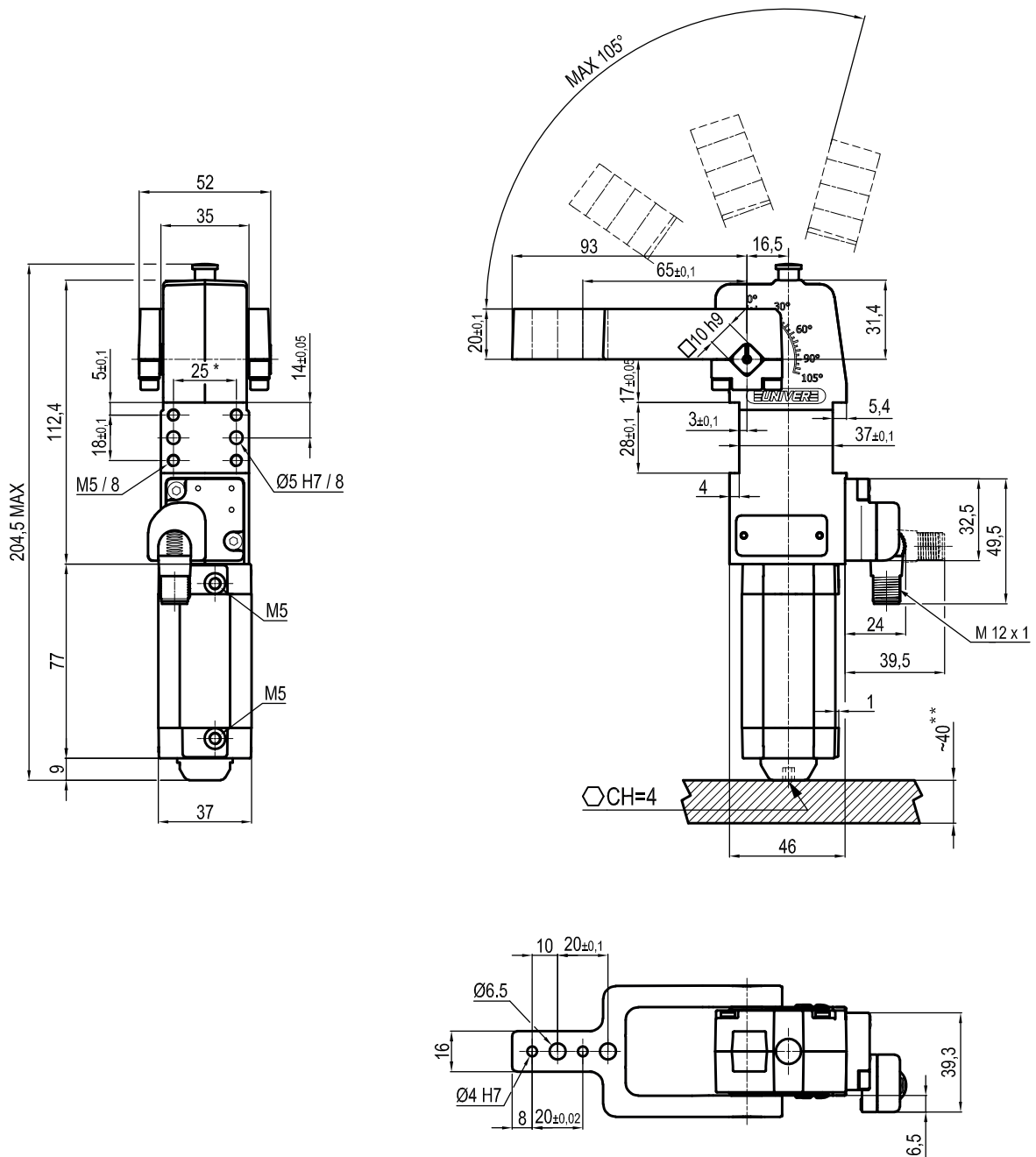
Subject to technical modifications without notice



* : TOLERANCE BETWEEN DOWELS $\pm 0,02$, BETWEEN SCREW HOLES $\pm 0,1$
 ** : AREA TO ACCESS ANGLE ADJUSTMENT

Bore \varnothing	Holding moment	Clamping moment (0,5 MPa)	Weight (clamping arm not included)
25 mm	75 Nm	25 Nm	0,8 Kg

Min./Max. operating pressure: **0,4 / 0,6 MPa**
 Operating temperature: **5° ÷ 45° C**
 Opening angle: **adjustable from 0° to 105°**
 Arm position: **180°**
 Electronic sensor with M12 swivel connector, from 0° to 90°
 Supply voltage: **10 ÷ 30 Vdc**
 IP code: **IP 65**



*: TOLERANCE BETWEEN DOWELS $\pm 0,02$, BETWEEN SCREW HOLES $\pm 0,1$

** : AREA TO ACCESS ANGLE ADJUSTMENT

Bore \varnothing	Holding moment	Clamping moment (0,5 MPa)	Weight (clamping arm not included)
25 mm	75 Nm	25 Nm	0,8 Kg

Min./Max. operating pressure: **0,4 / 0,6 MPa**

Operating temperature: **5° ÷ 45° C**

Opening angle: **adjustable from 0° to 105°**

Arm position: **90°**

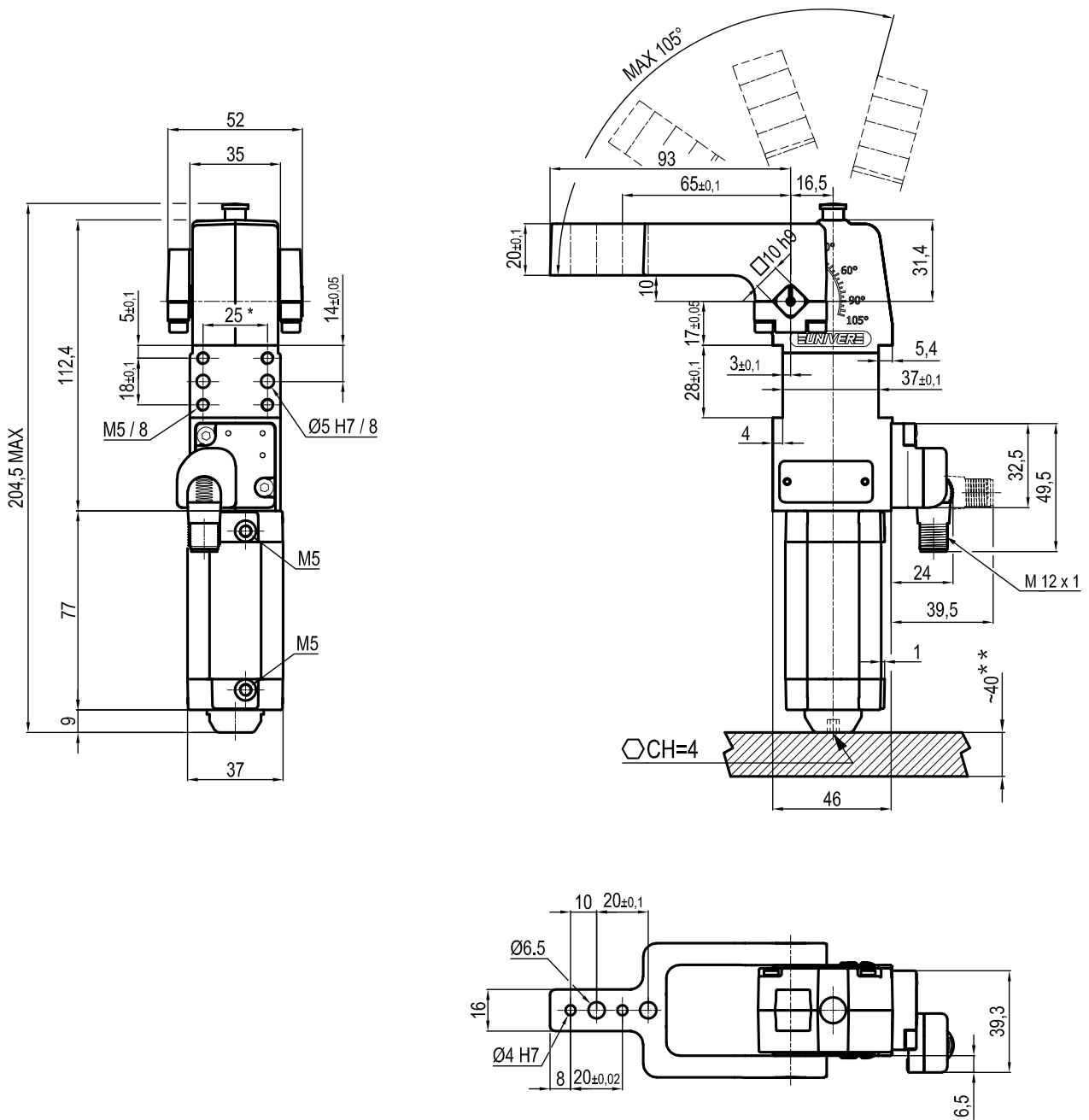
Electronic sensor with M12 swivel connector, from 0° to 90°

Supply voltage: **10 ÷ 30 Vdc**

IP code: **IP 65**

Subject to technical modifications without notice

Rev. 01 01.02.22



* : TOLERANCE BETWEEN DOWELS $\pm 0,02$, BETWEEN SCREW HOLES $\pm 0,1$
 **: AREA TO ACCESS ANGLE ADJUSTMENT

Bore \varnothing	Holding moment	Clamping moment (0,5 MPa)	Weight (clamping arm not included)
25 mm	75 Nm	25 Nm	0,8 Kg

Min./Max. operating pressure: **0,4 / 0,6 MPa**
 Operating temperature: **5° ÷ 45° C**
 Opening angle: **adjustable from 0° to 105°**
 Arm position: **90°**
 Electronic sensor with M12 swivel connector, from 0° to 90°
 Supply voltage: **10 ÷ 30 Vdc**
 IP code: **IP 65**

Subject to technical modifications without notice