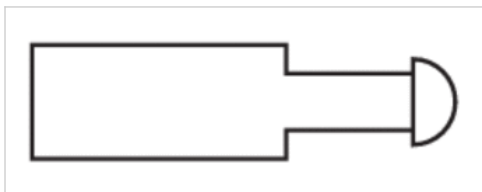


# Industrial shock absorber, Series 370

- Cushioning adjustable
- Mounting Lock nut
- Mounting thread M27x2 M42x3
- 370-MA



Ambient temperature min./max.	-10 ... 70 °C
Medium temperature	-10 ... 70 °C
Medium	Oil
Mounting	Lock nut
Weight	See table below



## Technical data

Part No.	Mounting thread	Stroke	Max. energy absorption/stroke	Max. energy absorption/hour
3701202000	M27x2	25 mm	60 Nm	54000 Nm
3701204000	M27x2	40 mm	100 Nm	54000 Nm
3702005000	M42x3	50 mm	375 Nm	126000 Nm
3702008000	M42x3	80 mm	600 Nm	126000 Nm

Part No.	Effective mass me	Return spring force	Weight
	min./max.	min./max.	
3701202000	10 ... 500 kg	25 ... 40 N	0,5 kg
3701204000	15 ... 500 kg	25 ... 40 N	0,5 kg
3702005000	50 ... 5000 kg	50 ... 90 N	1,85 kg
3702008000	50 ... 5000 kg	50 ... 90 N	1,85 kg

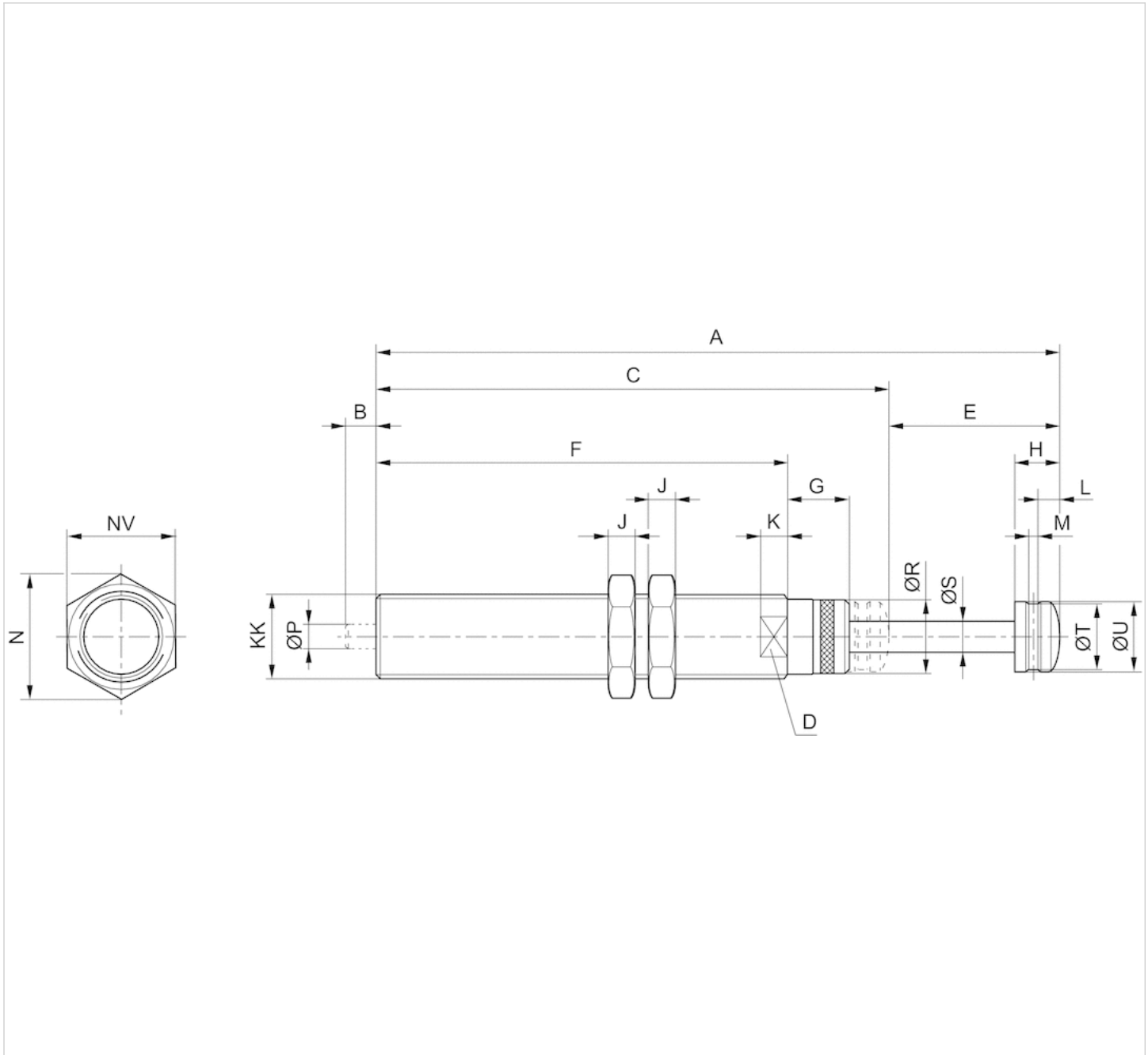
Adjustable stop weight and speed, Scope of delivery: lock nut 2x

## Technical information

Material	
Cylinder tube	Steel, bronzed
Piston rod	Steel, hard chromated
Lock nut	Steel, bronzed

Material	
Mounting ring	Steel, hardened

## Dimensions

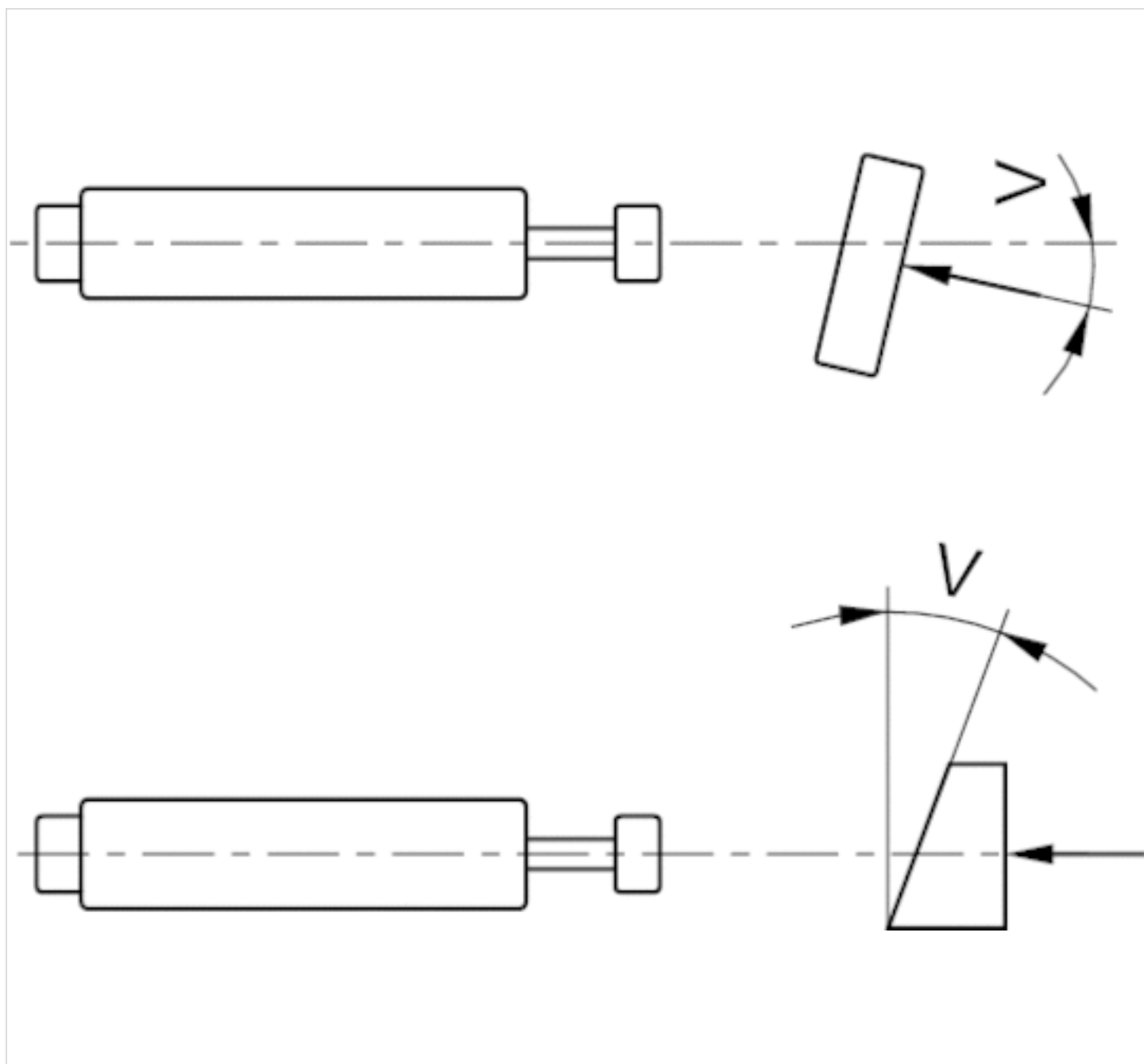


## Dimensions

Part No.	Type	KK	A	B	C	D	E	F	G	H	J	K	L	M	N	P	R	S	T	U	NV
3701202000	370-MA	M27x2	183	6.5	158	24	25	115	27	16	8	10	7.5	5	37	6	23.5	12	22	23	32
3701204000	370-MA	M27x2	198.5	9.5	158	24	40	115	27	16	8	10	7.5	5	37	6	23.5	12	22	23	32
3702005000	370-MA	M42x3	297	5.5	247	39	50	197	30	20	12	13	9	6	58	8	37.5	16	34	35	50
3702008000	370-MA	M42x3	326	5.5	247	39	80	197	30	20	12	13	9	6	58	8	37.5	16	34	35	50

## Dimensions

max. tilt to horizontal



V = tilt

## Dimensions

Part No.	Type	KK	V [°] 1)
3701202000	370-MA	M27x2	5
3701204000	370-MA	M27x2	5
3702005000	370-MA	M42x3	5
3702008000	370-MA	M42x3	5

1) max.

# Efficient pneumatic solutions, our program: cylinders and drives, valves and valve systems, air supply management



Visit us: [Emerson.com/Aventics](https://www.emerson.com/Aventics)

Your local contact: [Emerson.com/contactus](https://www.emerson.com/contactus)



[Emerson.com](https://www.emerson.com)



[Facebook.com/EmersonAutomationSolutions](https://www.facebook.com/EmersonAutomationSolutions)



[LinkedIn.com/company/Emerson-Automation-Solutions](https://www.linkedin.com/company/Emerson-Automation-Solutions)



[Twitter.com/EMR\\_Automation](https://twitter.com/EMR_Automation)

An example configuration is depicted on the title page. The delivered product may thus vary from that in the illustration. Subject to change. This Document, as well as the data, specifications and other information set forth in it, are the exclusive property of AVENTICS GmbH. It may not be reproduced or given to third parties without its consent. Only use the AVENTICS products shown in industrial applications. Read the product documentation completely and carefully before using the product. Observe the applicable regulations and laws of the respective country. When integrating the product into applications, note the system manufacturer's specifications for safe use of the product. The data specified only serve to describe the product. No statements concerning a certain condition or suitability for a certain application can be derived from our information. The information given does not release the user from the obligation of own judgement and verification. It must be remembered that the products are subject to a natural process of wear and aging.

The Emerson logo is a trademark and service mark of Emerson Electric Co. Brand logotype are registered trademarks of one of the Emerson family of companies. All other marks are the property of their respective owners. © 2020 Emerson Electric Co. All rights reserved.  
2020-12



## CONSIDER IT SOLVED™