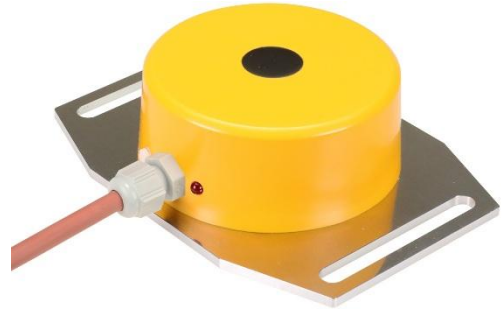


- Housing 150 x 108 x 44 mm
- Rated operating distance ( $S_n$ ) 70 mm
- Mounting plate aluminum with long slots
- AC/DC 2 wire normally closed
- Ambient temperature up to 100 °C



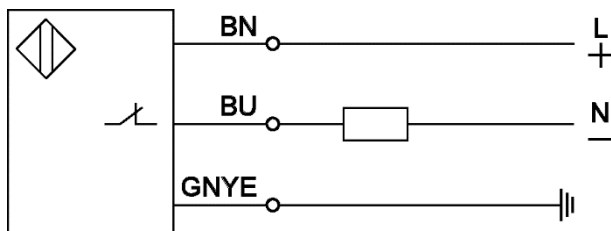
### Product Characteristics

Type	IKMN 070.04 GH
Connection	Art.-No.
2 m silicone cable	2025M
5 m silicone cable	2025M-5
10 m silicone cable	2025M-10
15 m silicone cable	2025M-15
20 m silicone cable	2025M-20
Application	Non-contact detection of metallic objects

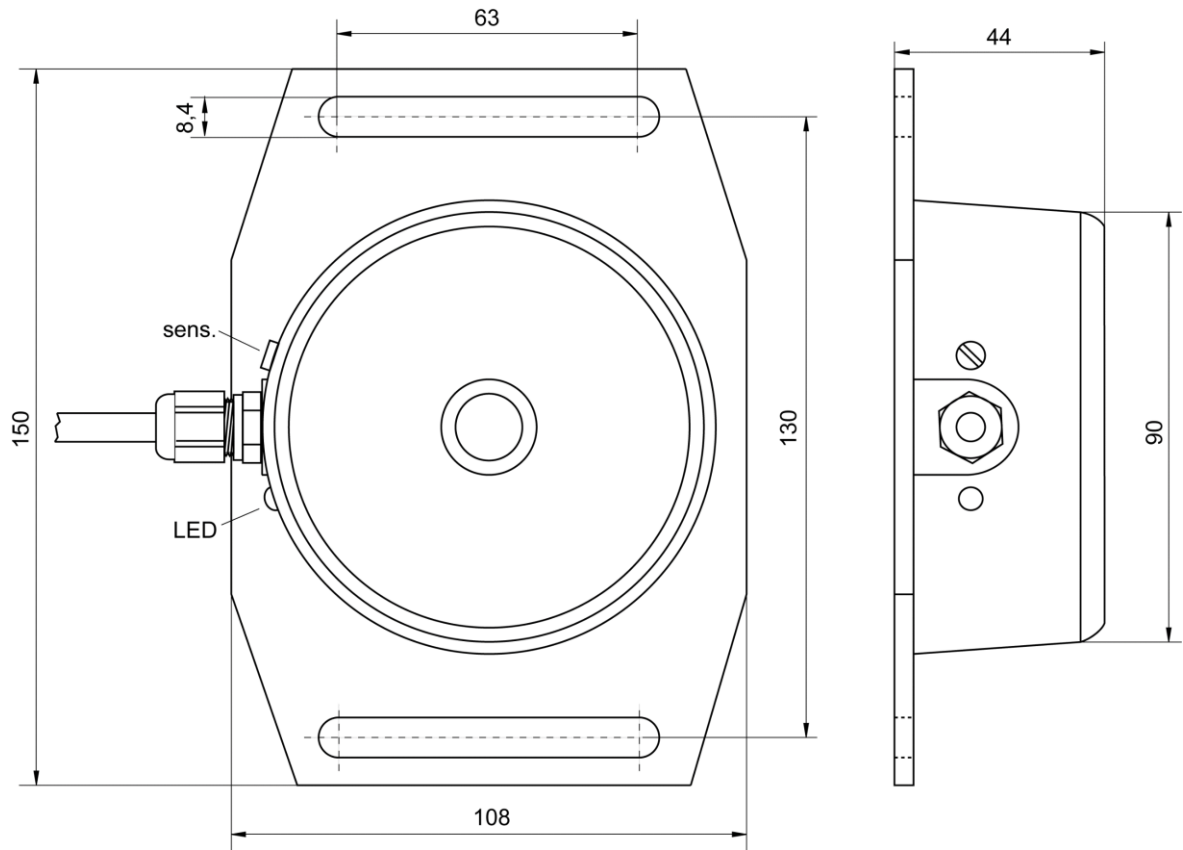
### Technical Data

Rated operating distance ( $S_n$ )	70 mm
Target steel St37, 1 mm thick	210 x 210 mm
Operating distance adjustable	yes
Switching hysteresis (H)	1 - 15 %
Location at metal	non flush
Supply voltage ( $U_B$ )	20 - 260 V AC/DC
Power frequency	40 – 440 Hz
Ripple voltage	max. 15 % (DC)
Output	normally closed
Continuous current	5 - 400 mA (over +70 °C 5 - 200 mA)
Short-circuit protection	yes, pulsing
Residual current ( $I_r$ )	1,7 mA / 260 V AC 1,0 mA / 24 V DC
Voltage drop ( $U_d$ )	< 9 V
Operating frequency (f)	25 Hz (AC) / 90 Hz (DC)
Ambient temperature	-25 ... +100 °C
Protection class	IP 67
Housing material	plastic / mounting plate aluminum
Functional display	LED

### Connection



**Dimension (mm)**



**Accessories (in scope of supply)**

	Type	Art.-No.
-	-	-

**Accessories (not in scope of supply)**

	Type	Art.-No.
-	-	-

**Further information**

	Document
Operating manual	BDA_IK_D_E