

- PTFE housing Ø 35 mm
- Rated operating distance (S_n) 19 mm
- AC/DC 2 wire normally open
- IP 68
- Ambient temperature up to +100 °C



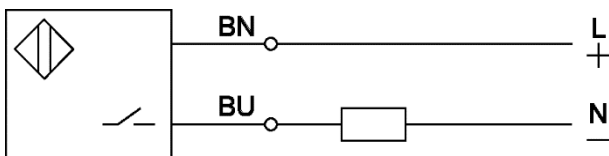
Product Characteristics

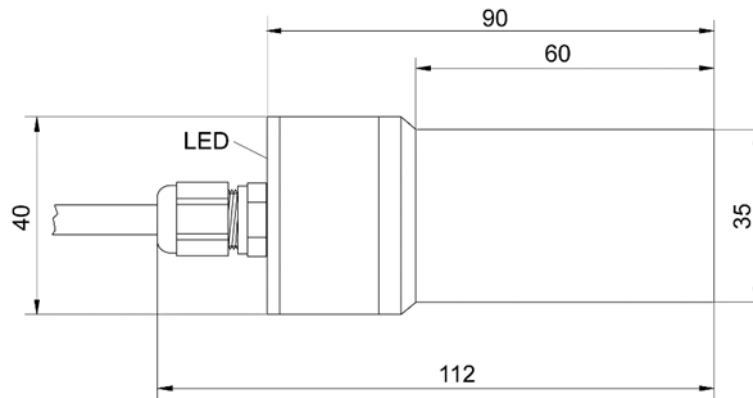
Type	IKHT 019.05 GH
Connection	Art.-No.
2 m Silicone cable	2004R
5 m Silicone cable	2004R-5
10 m Silicone cable	2004R-10
15 m Silicone cable	2004R-15
20 m Silicone cable	2004R-20
Application	Non-contact detection of metallic objects in aggressive environments. The PTFE housing withstands heat radiation and is resistant to greases, oils and acids, e.g. in cold rolling operation.

Technical Data

Rated operating distance (S_n)	19 mm
Target steel St37, 1 mm thick	57 x 57 mm
Operating distance adjustable	no
Switching hysteresis (H)	1 - 15 %
Location at metal	non flush
Supply voltage (U_B)	20 - 260 V AC/DC
Power frequency	40 - 440 Hz
Ripple voltage	max. 15 % (DC)
Output	normally open
Continuous current	5 - 400 mA (over +70 °C 5 - 200 mA)
Short-circuit protection	yes, pulsing
Residual current (I_r)	1,7 mA / 260 V AC 1,0 mA / 24 V DC
Voltage drop (U_d)	< 9 V
Operating frequency (f)	25 Hz (AC) / 200 Hz (DC)
Ambient temperature	-25 ... +100 °C
Protection class	IP 68
Housing material	PTFE
Functional display	LED

Connection



Dimension (mm)**Accessories** (in scope of supply)

	Type	Art.-No.
-	-	-

Accessories (not in scope of supply)

	Type	Art.-No.
Fastening clamp inside diameter 35 mm, fastening screw 2x M5 x 70	HH 7	9823C
Fastening clamp inside diameter 35 mm, fastening screw 2x M5 x 60	HH 7-60	9823D
Fastening clamp inside diameter 40 mm, fastening screw 2x M5 x 60	HH 10-60	9823E

Further information

	Document
Operating manual	BDA_IK_D_E