

ELECTRONIC
HANDWHEEL
FOR PANEL

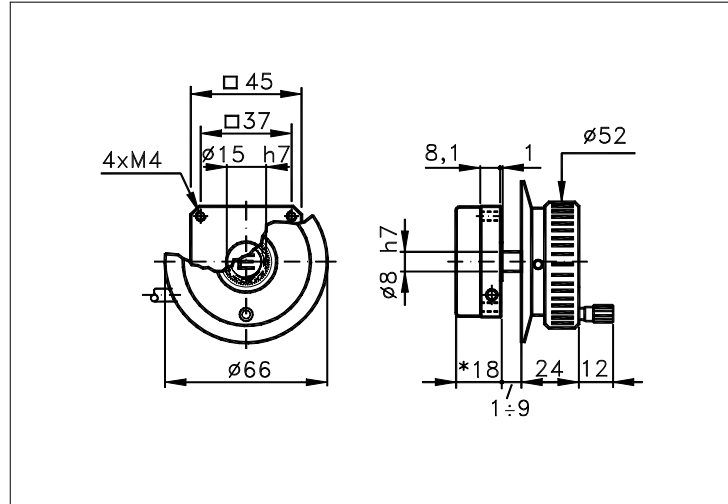
VF45

MINIATURIZED ELECTRONIC HANDWHEEL WITH CLUTCHED KNOB AND
RESOLUTIONS UP TO 2500 DIV./REV.
IT IS POSSIBLE TO HAVE A CUSTOM CENTRAL LOGO.

Elect.handwheel for panel
01.VF45 1/2

data sheet . IV005 E00

Sized draw standard version: CV R Measures without tolerance according to UNI ISO 2768-mk



* 28 FOR ELECTR. THAT ARE NOT 'STANDARD' (-) OR 'OPEN COLLECTOR' (K).

TECHNICAL FEATURES AND POSSIBLE CONFIGURATIONS

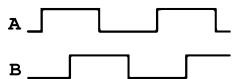
- Housing.....: ANODIZED ALUMINIUM
- Knob/scale plate....: ANODIZED ALUMINIUM
- Weight.....: 280 g
- Cover.....: ANODIZED ALUMINIUM
- Shaft.....: STAINLESS STEEL
- IP output side.(°):: see 'CONNECTIONS' of page 2
- IP shaft side..(°):: 64
- Impact resistance...: 50 G x 11ms
- Vibration strenght..: 12 G (10 ÷ 2000 Hz)
- Starting torque Nm.: 0,12
- Rotat. life @ 200 RPM: >= 1000000 h
- Operating temperature: 0 ÷ 70 °C
- Storage temperature...: -30 ÷ 85 °C
- Pulses per revolution: 1 ÷ 2500 (clutched)
- Max consumption mA...: std 80 line driver 150
- Light source.....: LED with >= 100000 h life

(°) IP according to CEI EN 60529, EN 60529, IEC 529

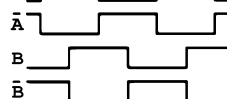
ELECTRONICS

CODE	DESCRIPTION	mA	CODE	DESCRIPTION	mA	CODE	DESCRIPTION	mA	CODE	DESCRIPTION	mA
	STANDARD NPN	10	N	DRIVER 26LS31	30						
K	NPN OPEN COLL	10									
Q	NPN	70	C	DRIVER 88C30	20						
R	NPN OPEN COLL	70									
P	PNP	70									
U	PNP OPEN COLL	70									
B	PUSH-PULL PRO	70									
H	PUSH-PULL	70									

(§)



A (§)



(§)

(§)

Tolerance between phases ± 25°, symmetry ± 15°

(§) Clock-wise output rotation (see shaft).

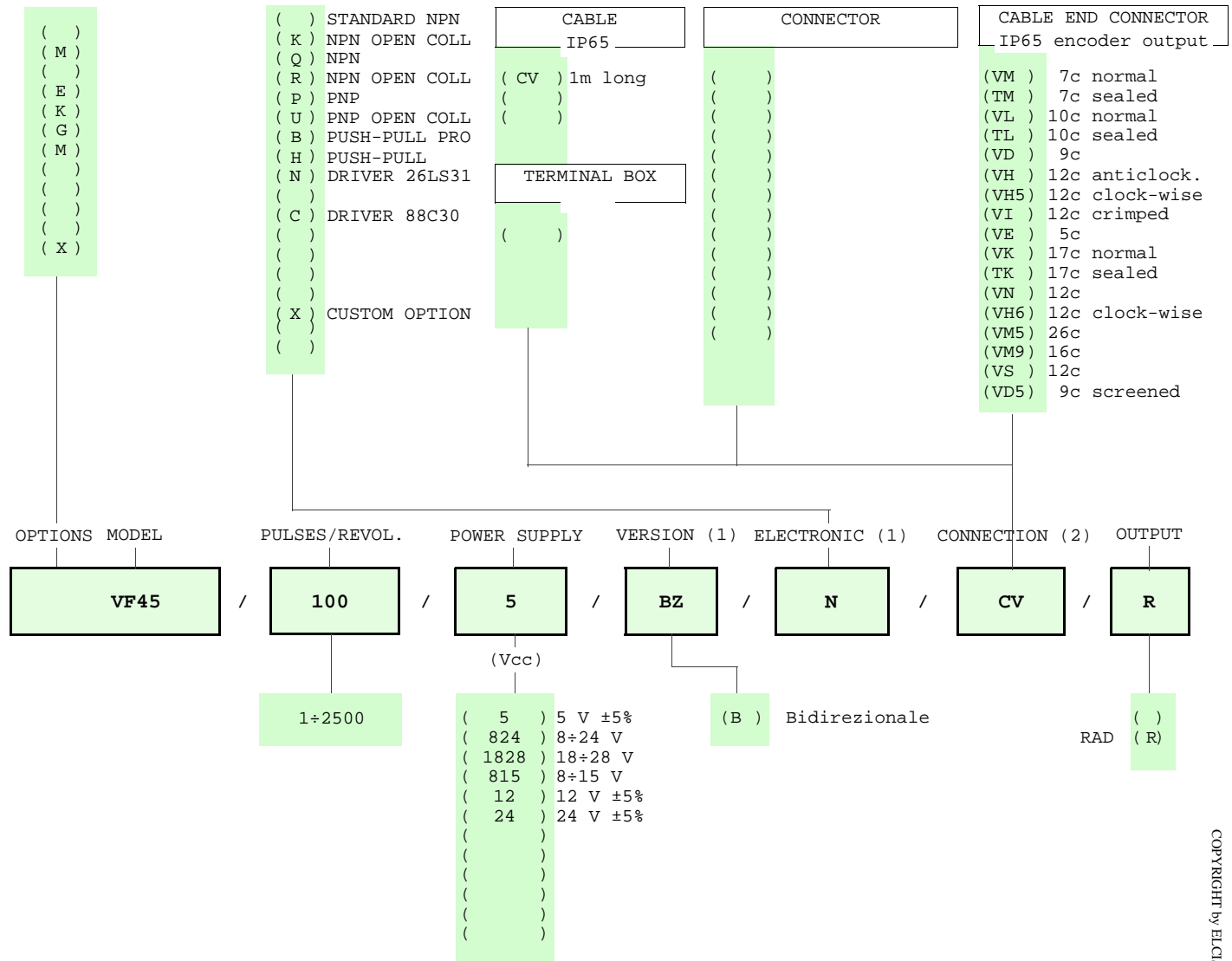


ELCIS s.r.l. Via Rosa Luxembourg 12/14 10093 COLLEGNO (TO) ITALY
Phone: +39 011 715577/78 a.r.
MAIL: ELCIS s.r.l. P.O.Box 90 10093 COLLEGNO (TO) ITALY

* <http://www.elcis.com>
* e-mail: info@elcis.com
* Fax: +39 011 712613

POSSIBLE OPTIONS				POSSIBLE CONNECTIONS			
CODE	DESCRIPTION	CODE	DESCRIPTION	CABLE		OUTPUT:	
M	Black knob			CV			RAD
E	Custom central logo			CONNECTOR		OUTPUT:	
K	Invert. phase A,B,Zero			CABLE END CONNECTOR		OUTPUT:	
G	Tropicalization			VM	TM	VL	TL
M	Impregnated electronic			VE	VK	TK	VN
				VD	VH	VH5	VI
				VE	VK	TK	VN
				VM5	VM9	VS	
X	Custom options			VD5			RAD
				TERMINAL BOX		OUTPUT:	


ORDERING INFORMATION



NOTE: FOR 88C30 MAX 15 Vdc

Product manufactured according to UNI EN ISO 9001:2000, supplied with CHECKING and CONFORMITY declaration with CE mark and with TWO (2) YEARS WARRANTY starting from delivery date.

(1) For further informations see ELECTRONIC data sheet
 (2) For further informations see CONNECTION data sheet

	ELCIS s.r.l. Via Rosa Luxembourg 12/14 10093 COLLEGNO (TO) ITALY	* http://www.elcis.com
	Phone: +39 011 715577/78 a.r.	* e-mail: info@elcis.com
	MAIL: ELCIS s.r.l. P.O.Box 90 10093 COLLEGNO (TO) ITALY	* Fax: +39 011 712613

COPYRIGHT by ELCIS - Collegno (TO)