

ELECTRONIC
HANDWHEEL
FOR PANEL

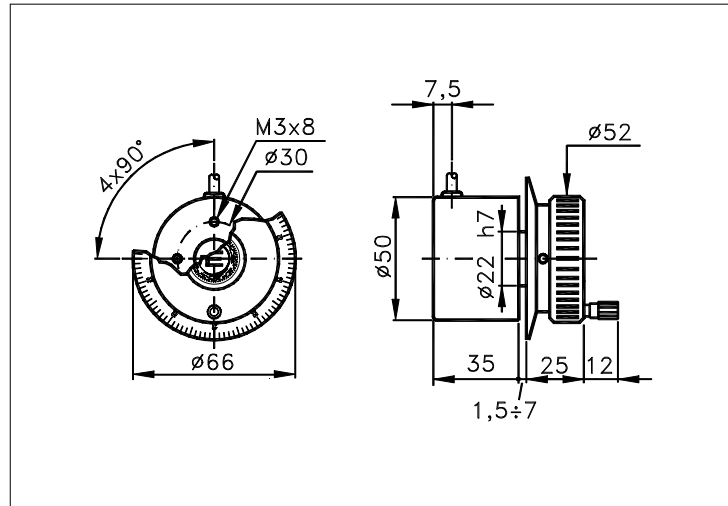
VE66

ELECTRONIC HANDWHEEL SIMILAR TO THE VE50 BUT WITH Ø 66 KNOB.
IT IS AVAILABLE WITH MANY DIFFERENT ELECTRONICS AND VOLTAGES.
IT IS POSSIBLE TO HAVE A CUSTOM CENTRAL LOGO.

Elect.handwheel for panel
01.VE66 1/2

data sheet . IV007 E00

Sized draw standard version: CV R Measures without tolerance according to UNI ISO 2768-mk



TECHNICAL FEATURES AND POSSIBLE CONFIGURATIONS

- Housing.....: ANODIZED ALUMINIUM
- Knob/scale plate...: ANODIZED ALUMINIUM
- Weight.....: 250 g
- Cover.....: ANODIZED ALUMINIUM
- Shaft.....: STAINLESS STEEL
- IP output side.(°):: see 'CONNECTIONS' of page 2
- IP shaft side..(°):: 64
- Impact resistance...: 50 G x 11ms
- Vibration strenght..: 12 G (10 ÷ 2000 Hz)
- Starting torque Nm.: 0,15

(°) IP according to CEI EN 60529, EN 60529, IEC 529

- Rotat. life @ 200 RPM: >= 1000000 h
- Operating temperature: 0 ÷ 70 °C
- Storage temperature...: -30 ÷ 85 °C
- Pulses per revolution: 100 (std) (*)
- Max consumption mA...: std 80 line driver 150
- Light source.....: LED with >= 100000 h life

(*) with detent at each step

ELECTRONICS

CODE	DESCRIPTION	mA	CODE	DESCRIPTION	mA	CODE	DESCRIPTION	mA	CODE	DESCRIPTION	mA
	STANDARD NPN	10	N	DRIVER 26LS31	30						
K	NPN OPEN COLL	10									
Q	NPN	70	C	DRIVER 88C30	20						
R	NPN OPEN COLL	70									
P	PNP	70									
U	PNP OPEN COLL	70									
B	PUSH-PULL PRO	70									
H	PUSH-PULL	70									

Tolerance between phases ± 25°, symmetry ± 15°

(§) Clock-wise output rotation (see shaft).

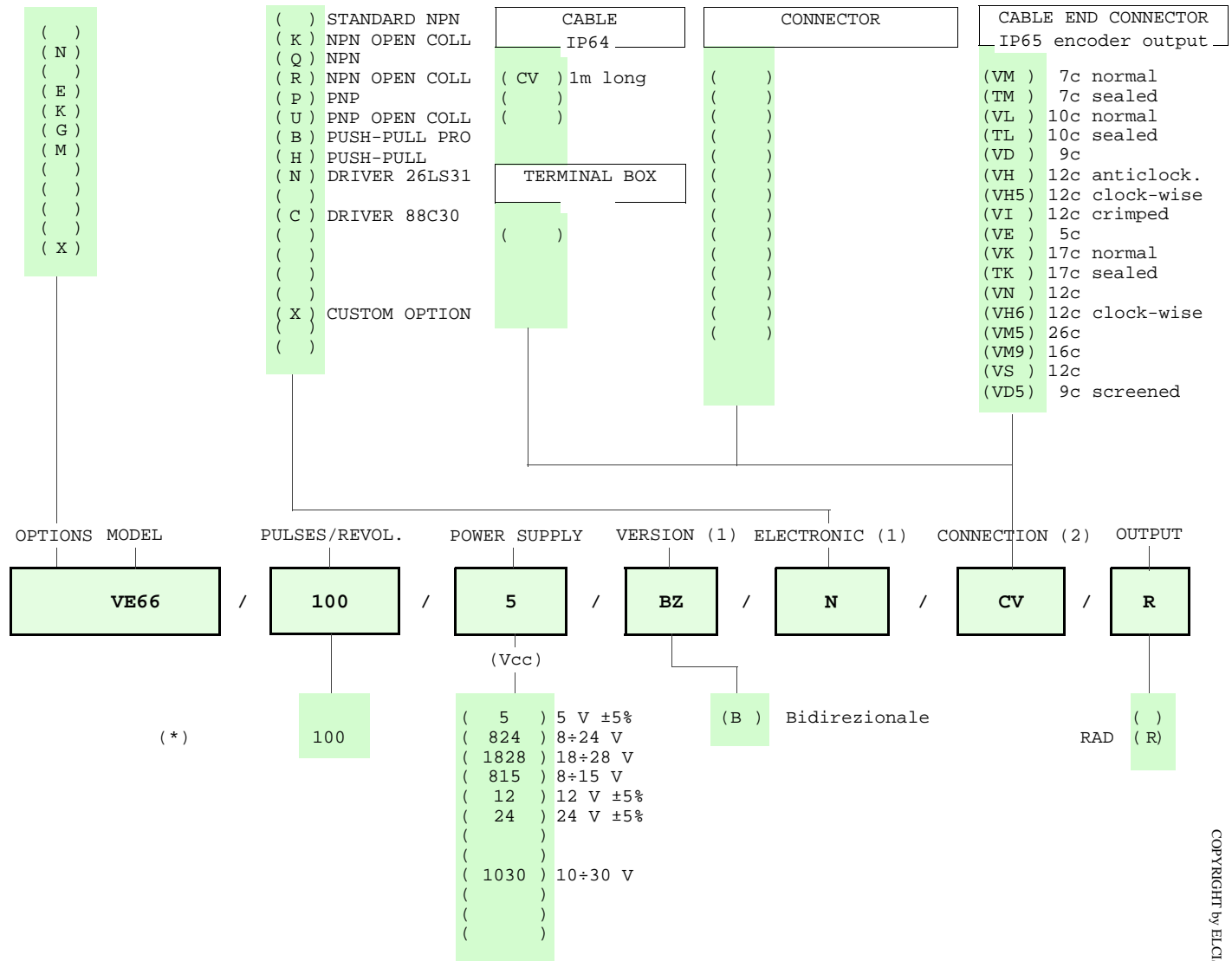


ELCIS s.r.l. Via Rosa Luxembourg 12/14 10093 COLLEGNO (TO) ITALY
Phone: +39 011 715577/78 a.r.
MAIL: ELCIS s.r.l. P.O.Box 90 10093 COLLEGNO (TO) ITALY

* <http://www.elcis.com>
* e-mail: info@elcis.com
* Fax: +39 011 712613

POSSIBLE OPTIONS				POSSIBLE CONNECTIONS			
CODE	DESCRIPTION	CODE	DESCRIPTION	CABLE		OUTPUT:	
N	Black knob			CV			RAD
E	Custom central logo			CONNECTOR		OUTPUT:	
K	Invert. phase A,B,Zero			CABLE END CONNECTOR		OUTPUT:	
G	Tropicalization			VM	TM	VL	TL
M	Impregnated electronic			VE	VK	TK	VN
				VD	VH	VH5	VI
				VD5	VM5	VM9	VS
X	Custom options			TERMINAL BOX		OUTPUT:	


ORDERING INFORMATION



NOTE: FOR 88C30 MAX 15 Vdc

Product manufactured according to UNI EN ISO 9001:2000, supplied with CHECKING and CONFORMITY declaration with CE mark and with TWO (2) YEARS WARRANTY starting from delivery date.

(*) With detent at each step
 (1) For further informations see ELECTRONIC data sheet
 (2) For further informations see CONNECTION data sheet

	ELCIS s.r.l. Via Rosa Luxembourg 12/14 10093 COLLEGNO (TO) ITALY	* http://www.elcis.com
	Phone: +39 011 715577/78 a.r.	* e-mail: info@elcis.com
	MAIL: ELCIS s.r.l. P.O.Box 90 10093 COLLEGNO (TO) ITALY	* Fax: +39 011 712613

COPYRIGHT by ELCIS - Collegno (TO)