

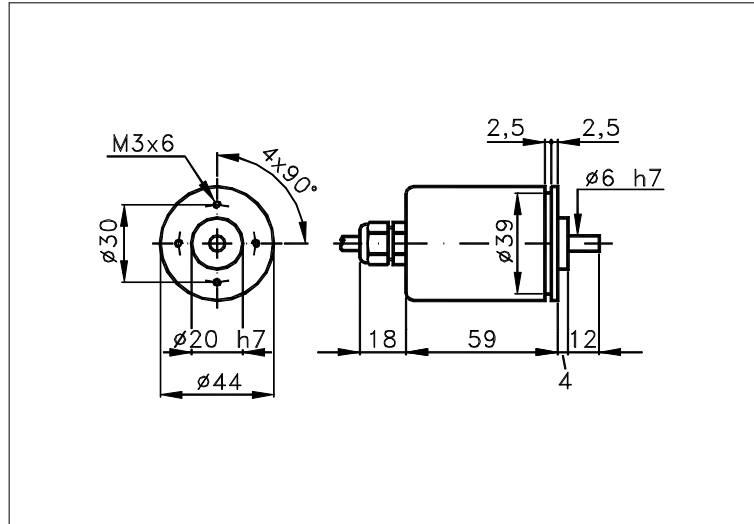
**INCREMENTAL
MAGNETIC
ENCODER**

M44S

'SIZE 18' MINIATURE MAGNETIC ENCODER WITH 'SERVO-MOUNT' FLANGE
AND HIGH PROTECTION DEGREE AND IMMUNITY TO OILS, LIQUIDS ETC..
FIT FOR APPLICATIONS AS MARINE, MEDICAL, PRINTING, METAL WORKING.

Family: **M**
page: 02.M44S 1/2
data sheet . IR 018 E00

Sized draw standard version: CV Measures without tolerance according to UNI ISO 2768-mk

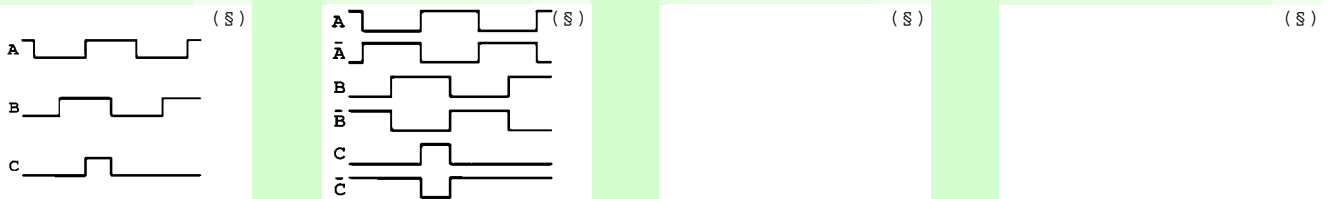


TECHNICAL FEATURES AND POSSIBLE CONFIGURATIONS

- Base.....: ALUMINIUM
 - Cover.....: ALUMINIUM
 - Weight.....: 230 g
 - Shaft.....: Ø 6 STAINLESS STEEL
 - Max.rad/axial load.: 1,5 kg
 - IP output side.(°): see 'CONNECTION' of page 2
 - IP shaft side..(°).> std. 66 | sealed - | low torq 53
 - opt. type (page 2).> standard | Z | B
 - Contin. max RPM(**)> 6000 | - | 12000
 - Starting torque gcm> 30 | - | 8
 - Ball bearings life...: 1,5 x 10⁹ revolutions
 - Impact resistance....: 100 G x 6ms
 - Vibration resistance..: 10 G (55 ÷ 2000 Hz)
 - Power supply.....: 5÷30V (vedi pag.2)
 - Operating temperature: -25÷85 °C
 - Storage temperature...: -30÷85 °C
 - N° of pulses/rev.....: 8 ÷ 2048 (*)
 - (see page 2) (*)
 - Max consumptions mA...: std 50 line driver 90
 - Max frequency.....: 600 kHz
- (°) IP according to CEI EN 60529, EN 60529, IEC 529
(*) multiplicable x4 by the Customer
(**) intermittent max RPM + 30% of continuous max RP

ELECTRONICS

CODE	DESCRIPTION	mA	CODE	DESCRIPTION	mA	CODE	DESCRIPTION	mA	CODE	DESCRIPTION	mA
K	STANDARD NPN	10	N	DRIVER 26LS31	35						
Q	NPN OPEN COLL	10									
R	NPN	70	Z	DRIVER ET7272	30						
R	NPN OPEN COLL	70									



Tolerance between phases $\pm 4.5\%$, symmetry $\pm 15\%$

(S) Clock-wise output rotation (see shaft).



Elcis encoder s.r.l. Via Rosa Luxembourg 12/14 10093 COLLEGNO (TO) ITALY
Phone: +39 011 715577/78 a.r.
MAIL: Elcis encoder s.r.l. P.O.Box 70 10093 COLLEGNO (TO) ITALY

* <http://www.elcis.com>
* e-mail: info@elcis.com
* Fax: +39 011 712613

