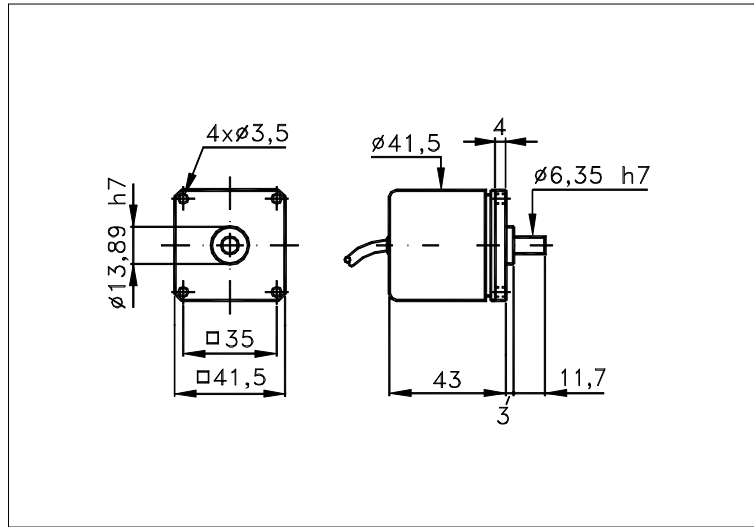


**MAGNETIC
ABSOLUTE
ENCODER
M341Q**

Miniature absolute singleturn magnetic encoder with square flange.
Compact and characterized by a high rotation speed (12000 rpm) and IP.
Fit for industrial applications like marine, medical, printing, metal working,
industrial automation and instrumentation.

Famiglia: **M**
page: 03.M341Q 1/2
data sheet IR 024 E00

Measures without tolerance according to UNI ISO 2768-mk



TECHNICAL FEATURES AND POSSIBLE CONFIGURATIONS

- Output codes.....: Binary
- Max pulses/rev.....: 8192 (13 bits)
- Power supply Vcc.....: 5±5%, 5÷30, 10÷30
- Max consumption.....: 35 mA
- Max frequency.....: 500 kHz
- Operating temperature..: -25÷+85 °C
- Storage temperature....: -25 ÷ +125 °C

- Up/down commutation...: No
- Mechanical zero search: No
- Output stages.....:

- Pre output interface...: (S) Serial SSI.

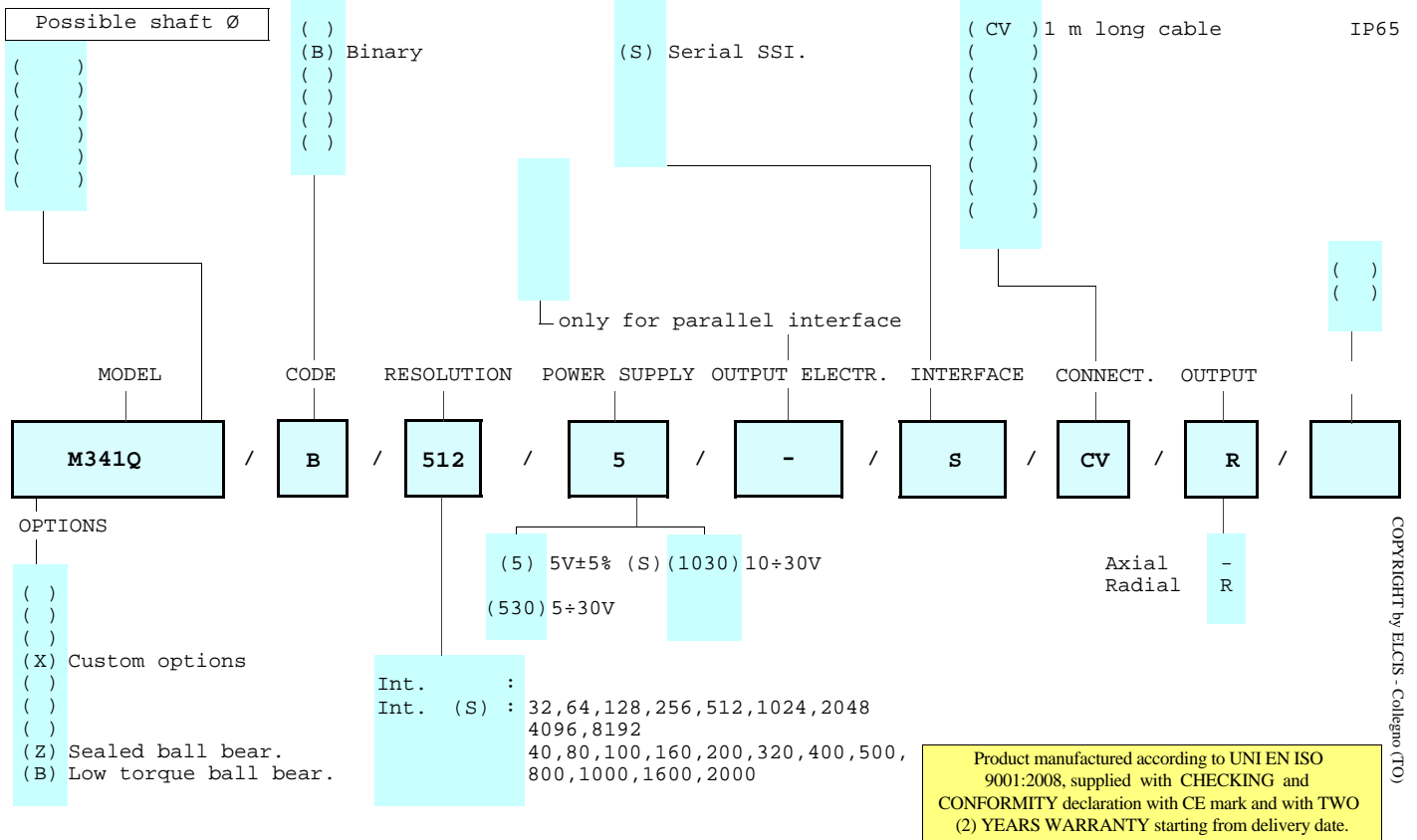
- Connections Radial R : CV
Axial -
- For the description of connections see 'ORDERING CODE' on page 2.
- Base.....: Alluminium
- (*) - Cover.....: Alluminium
- Weight.....: 120 g
- Shaft.....: Stainless steel (*)
- Max.rad/axial load....: 1 Kg
- IP output side.....: see 'CONNECTIONS' on page 2
- IP shaft side.....: std.64 | sealed 66 | low torq.53
- Contin. max RPM...(**): 6000 | 3000 | 12000
- Starting torque.. gcm.:
- Impact resistance.....: 100 G (6 ms)
- Vibration resistance...: 12 G (10 ÷ 2000 Hz)
- (S) - Ball bearings life.....: 1,5x10⁹ revolutions
(@ 1000 rev/m with load of 1/4 maximum allowed)
- (*) Custom options
- (**) Intermittent max RPM + 30% of continuous max RPM

POSSIBLE OPTIONS

CODE	DESCRIPTION	CODE	DESCRIPTION	CODE	DESCRIPTION
		X	Custom options		
				Z	Sealed ball bear.
				B	Low torque ball bear.

ELECTRONIC OUTPUT	INTERFACE	PARALLEL OPTIONS
»	»	»
»	»	»
»	» (S) Serial SSI. The data output (available only with natural Binary code) is controlled by an external clock. The angular position's value is first stored into the encoder and then transmitted outside starting from the MSB. The standard of transmission is RS422.	»
»	»	»
»	»	»

ORDERING CODE



Elcis encoder s.r.l. Via Rosa Luxembourg 12/14 10093 COLLEGNO (TO) ITALY
 Telefono: +39 011 715577/78 r.a.
 Corrispondenza: Elcis encoder s.r.l. P.O.Box 70 10093 COLLEGNO (TO) ITALY

* <http://www.elcis.com>
 * e-mail: info@elcis.com
 * Fax: +39 011 712613