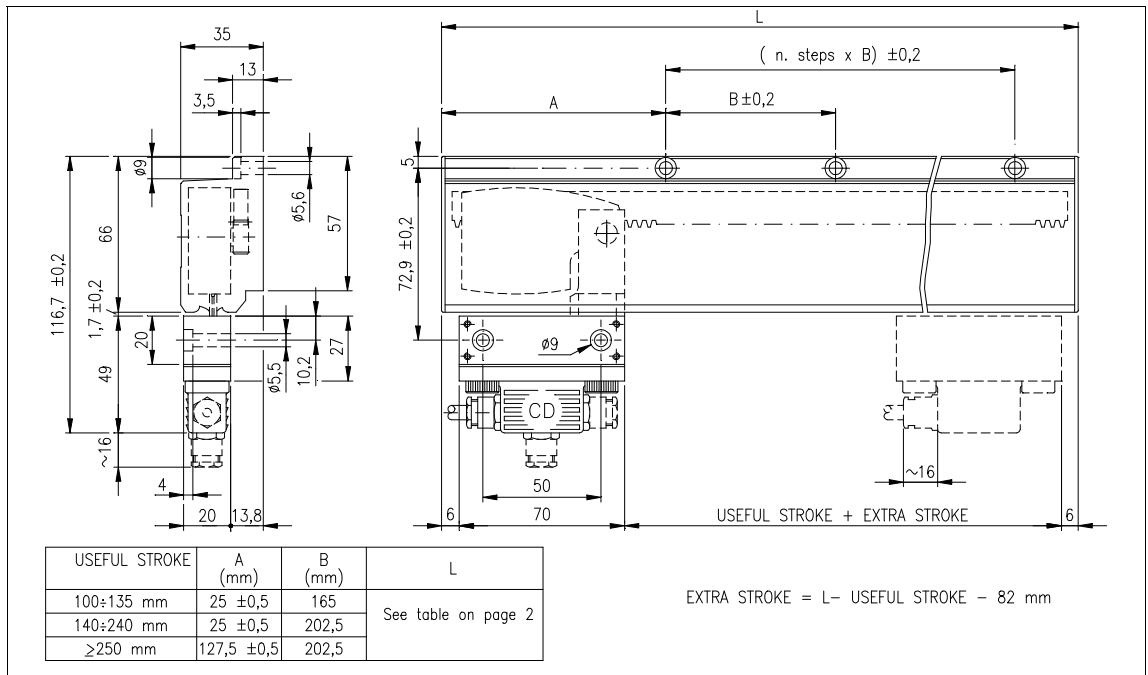


CR85

Measures without tolerance according to UNI ISO 2768-mk



TECHNICAL FEATURES AND POSSIBLE CONFIGURATIONS

- Weight.....: 4700 g/m
 - Standard stroke (mm).....: see table on page 2
 - Rack material.....: stainless steel
 - Rack hardness degree.....: HRC 10-15
 - Rack ground on thoot.profile with tol.: ± 0,1 mm/m
 - Base support: steel, having thermal expansion similar to machine tool bed.
 - Upper cover: extruded anodized anticorodal.
 - Sealing.....: IP65 connection CV (°)
 - Max reading speed.....: 20 m/min.
 - Max allowed acceleration.....: 15 m/s²
 - Starting force.....: 6 N
 - Impact resistance.....: 50 G x 11ms
 - Vibration resistance.....: 12 G (10 ÷ 2000 Hz)
 - Max error on useful stroke..: ± 0,2 mm (not cumulative)
 - Certified precision test.....: Option
 - Sensors.....: Phototransistor in push-pull
 - Light source.....: LED with >= 100000 h life
 - Operating temperature.....: 0 ÷ 71 °C
 - Storage temperature.....: -30 ÷ 85 °C
 - Max frequency.....: 40 kHz
 - Power supply.....: 5V ± 5%; 8÷24V; 18÷28V; 8÷15V; 12V ± 5%; 24V ± 5%;
12÷30V Output 12V; 8÷24V Output 5V
 - Max consumption mA.....: std 120 line driver 180 (*)
 - Burn-in.....: 72 h
 - Electric connections with connector mounted on slider (slider-encoder disassembling doesn't involve machine wiring) or with cable.
- (°) IP accord. to CEI EN 60529, EN 60529, IEC 529 Standards
(**) Intermittent max RPM + 30% of continuous max RPM



ELCIS s.r.l. Via Rosa Luxembourg 12/14 10093 COLLEGNO (TO) ITALY
PHONE: +39 011 715577/78 r.a.
MAIL: ELCIS s.r.l. P.O.Box 90 10093 COLLEGNO (TO) ITALY

* <http://www.elcis.com>
* e-mail: info@elcis.com
* Fax: +39 011 712613

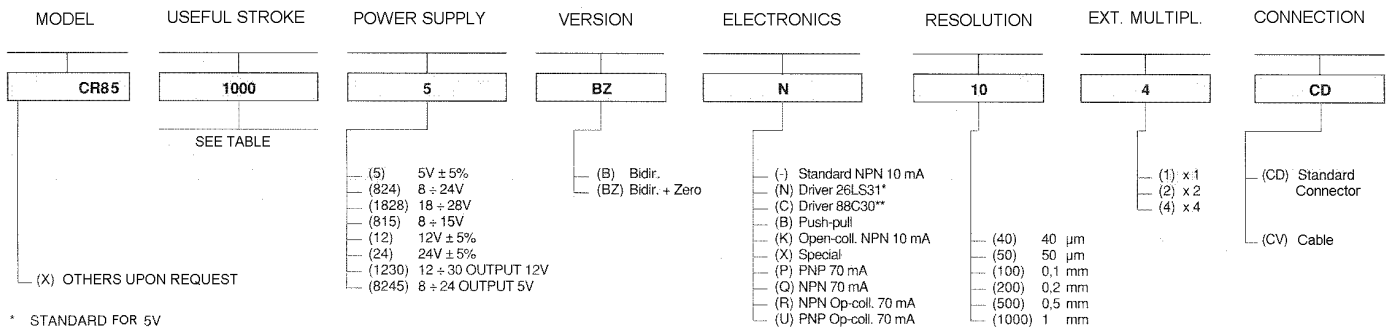
POSSIBLE RESOLUTIONS

RESOLUTION	WITH EXTERNAL ELECTR. MULTIPL.			RESOLUTION	WITH EXTERNAL ELECTR. MULTIPL.		
	x1	x2	x4		x1	x2	x4
1 µm - 2 µm	-	-	-	50 µm	YES	YES	YES
5 µm	-	-	-	0,1 mm	YES	YES	YES
10 µm	-	-	-	0,2 mm	YES	YES	YES
20 µm	-	-	-	0,5 mm	YES	YES	YES
40 µm	YES	YES	YES	1 mm	YES	YES	YES

USEFUL STROKES AND TOTAL LENGTHS

USE. STROKE	CR85		USE. STROKE	CR85		USE. STROKE	CR85		USE. STROKE	CR85		USE. STROKE	CR85		USE. STROKE	CR85	
	TOTAL L.	JOIN. N.		TOTAL L.	JOIN. N.		TOTAL L.	JOIN. N.		TOTAL L.	JOIN. N.		TOTAL L.	JOIN. N.		TOTAL L.	JOIN. N.
			1400	1515	-	2700	2830	-	4000	4105	-	8500	8600	2	18000	18120	4
			1500	1615	-	2800	2930	-	4500	4600	1	8600	-	-	19000	19130	4
			1600	1715	-	2900	3030	-	4600	-	-	9000	9125	2	20000	20145	4
			1700	1815	-	3000	3135	-	5000	5100	1	9500	9615	2	22000	22100	5
			1800	1920	-	3100	3235	-	5500	5615	1	9600	-	-	24000	24120	5
			1900	2020	-	3200	3335	-	5600	-	-	10000	10135	2	26000	26135	6
			2000	2120	-	3300	3435	-	6000	6100	1	11000	11150	2	28000	28140	6
800	905	-	2100	2220	-	3400	3540	-	6500	6600	1	12000	12100	2	30000	30120	7
900	1005	-	2200	2325	-	3500	3640	-	6600	-	-	13000	13110	3	32000	32100	7
1000	1110	-	2300	2425	-	3600	3740	-	7000	7100	1	14000	14120	3	34000	34120	8
1100	1210	-	2400	2525	-	3700	3840	-	7500	7600	1	15000	15100	3	-	-	-
1200	1310	-	2500	2625	-	3800	3945	-	7600	-	-	16000	16105	3	-	-	-
1300	1410	-	2600	2730	-	3900	4045	-	8000	8115	1	17000	17105	4	-	-	-

ORDERING INFORMATION



Product manufactured according to UNI EN ISO 9001:2000, supplied with CHECKING and CONFORMITY declaration with CE mark and with TWO (2) YEARS WARRANTY starting from delivery date.

COPYRIGHT by ELCIS - Collegno (TO)

	<p style="font-size: small;">ELCIS s.r.l. Via Rosa Luxembourg 12/14 10093 COLLEGNO (TO) ITALY PHONE: +39 011 715577/78 r.a. MAIL: ELCIS s.r.l. P.O.Box 90 10093 COLLEGNO (TO) ITALY</p>	<p>* http://www.elcis.com * e-mail: info@elcis.com * Fax: +39 011 712613</p>
--	---	---