

**ABSOLUTE  
ENCODER  
WITH FIELD BUS  
959CD**

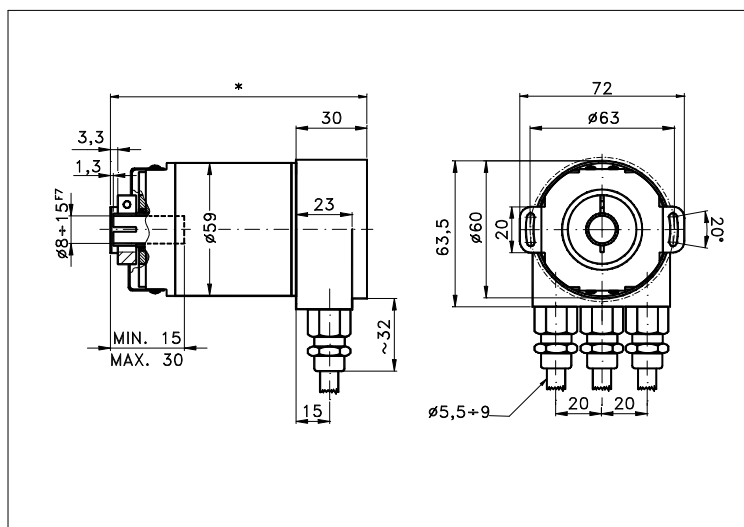
Compact and sturdy absolute encoder with hollow shaft and incorporated spring coupling. DeviceNet interface. 'Servo-mount' installation by means of claws or frontal screws. High resolution and very good quality/price ratio.

Absolute with field bus  
page: 09.959CD 1/2  
data sheet IB 038 E00

Measures without tolerance acc. to UNI ISO 2768-mk

Max. joint compens.: ax. ±0,1mm, rad. ±0,2mm, ang. ±1°

*DeviceNet*



\* 100 Singleturn, 112 Multiturn

**TECHNICAL FEATURES AND POSSIBLE CONFIGURATIONS**

- **Outout codes**.....: Binary
- **Max resolut**.....: 16 bit/1 rev.  
                              : 30 bit/16384 rev.
- **Pulses/rev**.....: (12) 4096, (13) 8192,  
                              (14) 16384, (15) 32768,  
                              (16) 65536.
- **No. of rev**.....: 1, 4096, 16384.  
                              :
- **Power supply Vcc**.....: 10÷30 VDC
- **Max consumption**.....: 2,5 Watt
- **Light source**.....: LED with >= 100000 h life
- **Optical sensors**.....: IR photodiodes array
- **Step frequency LSB**....: 800 kHz
- **Operating temperature**..: -40 ÷ +85 °C
- **Storage temperature**...: -40 ÷ +85 °C
- **Humidity**.....: 98% (without liquid state)
- **Bus connection**.....: CAN transceiver (ISO11898)
- **Status indic. with 2 LEDs**
- **Accuracy of divisions**..: ±½ LSB(<13bit), ±2 LSB(13÷16bit)
- **Output interface**.....: (D2) DeviceNet

- **Connections**                      : For the codes and the descriptions of connectors see 'ORDERING CODE' on page 2.
- **Housing**.....: Aluminium (\*)
- **Weight**.....: singlet.550g ,multit. 600 g
- **Shaft**.....: Stainless steel
- **Max radial/axial load**..: 40/110 N
- **IP output side**.....: see 'CONNECTIONS' on page 2
- **IP shaft side**.....: std.64 | sealed 66
- **Contin. max RPM...(\*\*)**: 6000 | 3000
- **Starting torque.gcm**..: 50 | 90
- **Impact resistance**.....: 30 G (11 ms)
- **Vibration resistance**...: 10 G (10 ÷ 1000 Hz)
- **Ball bearings life**....: >10^5 h @ 1000 rev./m
- **SMD technology**
- **Polarity inversion protect.**
- **Over voltage peak protect.**
- **Disc made of unbreakable and durable plastic.**
- **EMC certific. according to EN 61000-6-2, EN 61000-6-4**
- **Programmable transmis. rate**

(\*) Custom options.

(\*\*) Intermittent max RPM + 30% of continuous max RPM.

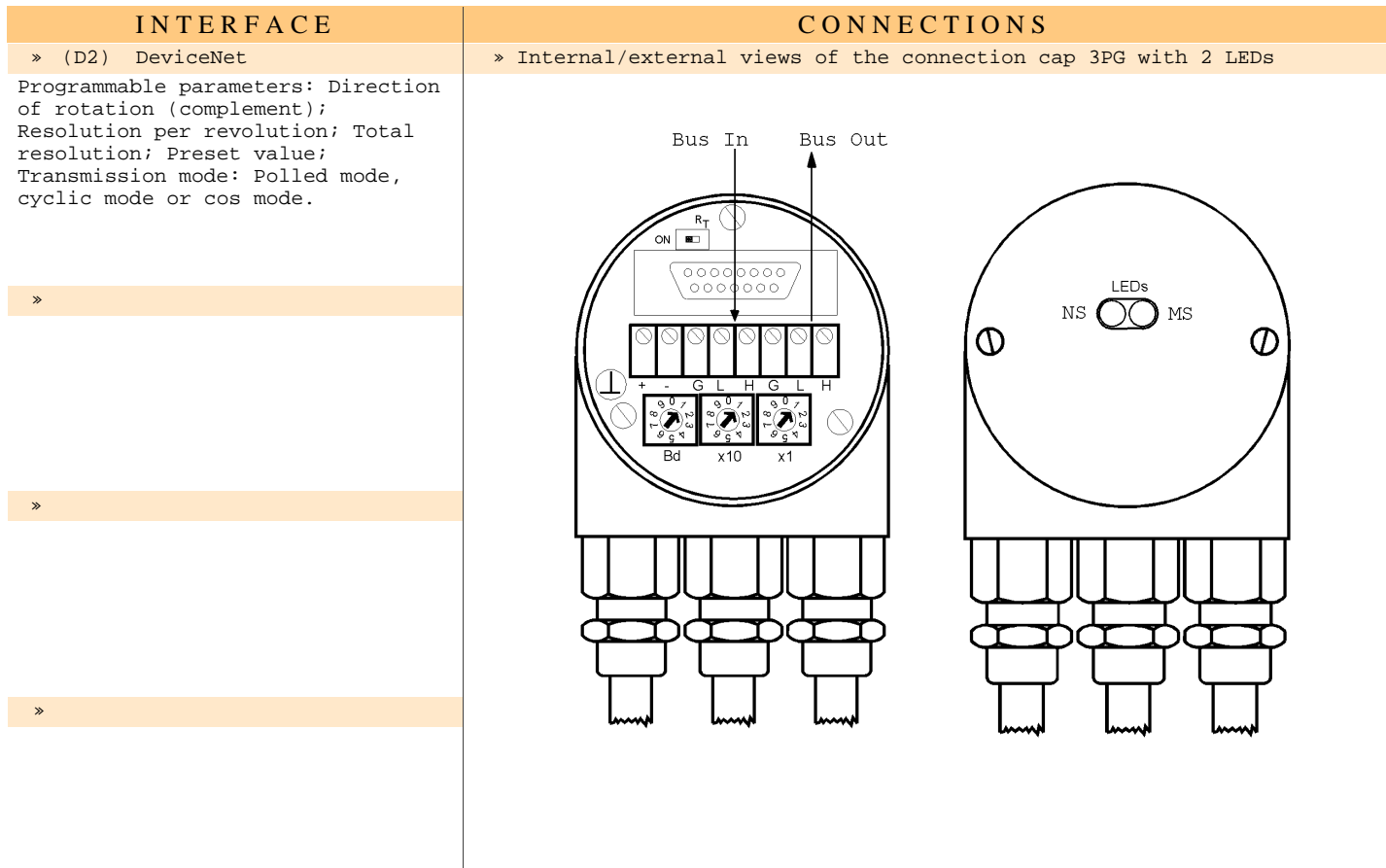
**POSSIBLE OPTIONS**

CODE	DESCRIPTION	CODE	DESCRIPTION	CODE	DESCRIPTION
Q	All stainl. steel	W	Sealed ball bear.	X	Customer options



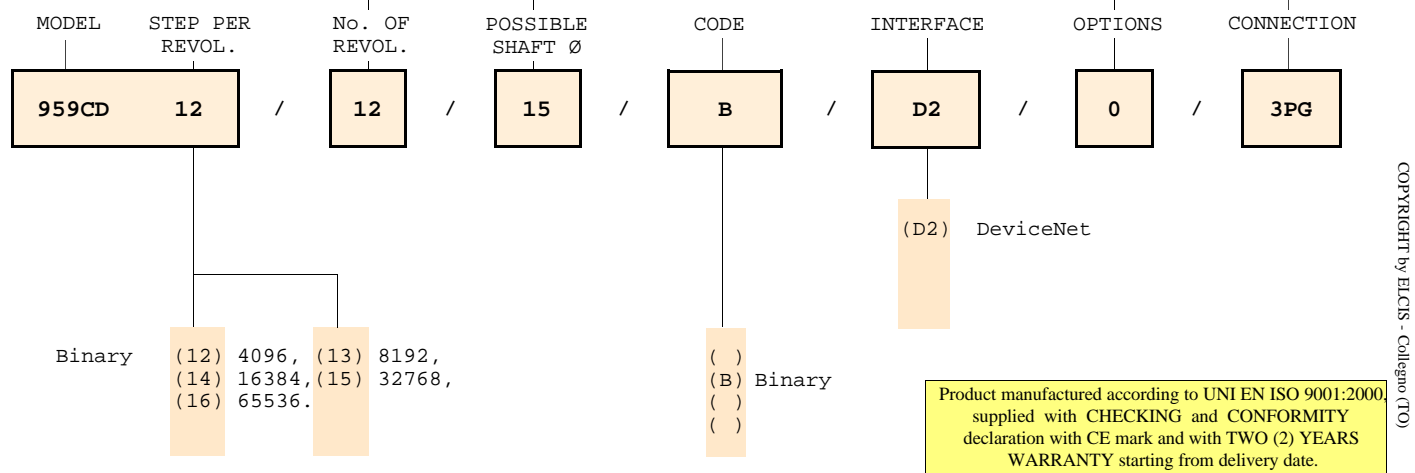
ELCIS s.r.l. Via Rosa Luxembourg 12/14 10093 COLLEGNO (TO) ITALY  
Phone: +39 011 715577/78 r.a.  
MAIL: ELCIS s.r.l. P.O.Box 90 10093 COLLEGNO (TO) ITALY

\* <http://www.elcis.com>  
\* e-mail: [info@elcis.com](mailto:info@elcis.com)  
\* Fax: +39 011 712613



### ORDERING INFORMATION

- |                    |                        |                         |   |
|--------------------|------------------------|-------------------------|---|
| ( 00 ) 1(Singlet.) | ( 15 ) Ø 15 (standard) | ( Q ) All stainl. steel | ( 3PG ) Connection cap IP65             |
| ( 12 ) 4096        | ( 12 ) Ø 12            | ( X ) Customer options  | ( 3PG-VA ) Stainl. steel conn. cap IP65 |
| ( 14 ) 16384       | ( 10 ) Ø 10            | ( W ) Sealed ball bear. | ( 2M20 ) Conn. cap with 2 cables IP65   |
|                    | ( 08 ) Ø 8             | ( )                     | ( 1BW ) 5 pin round conn. IP65          |
|                    | ( )                    | ( 0 ) Standard          | ( )                                     |
|                    | ( n ) Ø n upon         |                         | ( )                                     |
|                    |                        |                         | ( )                                     |
|                    |                        |                         | ( )                                     |
|                    |                        |                         | ( )                                     |
|                    |                        |                         | ( )                                     |



COPYRIGHT by ELCIS - Collegno (TO)

	ELCIS s.r.l. Via Rosa Luxembourg 12/14 10093 COLLEGNO (TO) ITALY Phone: +39 011 715577/78 r.a. MAIL: ELCIS s.r.l. P.O.Box 90 10093 COLLEGNO (TO) ITALY	* <a href="http://www.elcis.com">http://www.elcis.com</a> * e-mail: <a href="mailto:info@elcis.com">info@elcis.com</a> * Fax: +39 011 712613
--	--	--