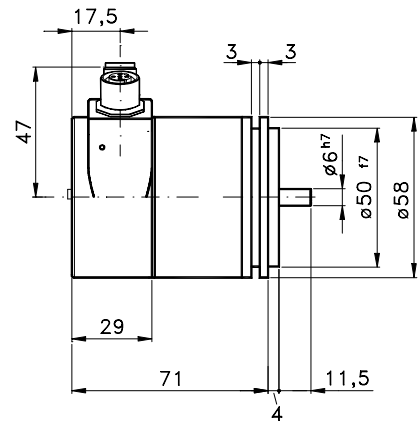
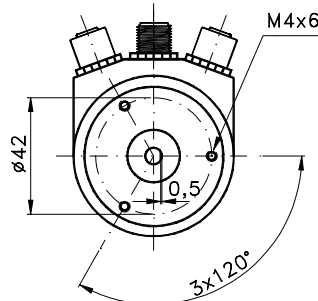
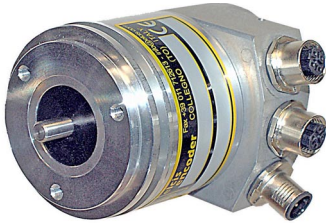


**ABSOLUTE
ENCODER
WITH FIELD BUS
758SPN**

Compact absolute encoder with 'Size 23' flange and sturdy housing.
PROFINET interface. 'Servo-mount' installation or by means of frontal screws
High resolution and very good quality/price ratio.

Family: A
pag.: 07.758SPN 1/2
data sheet: IB 051 X00



Measures without tolerance acc. to UNI ISO 2768-mk

TECHNICAL FEATURES AND POSSIBLE CONFIGURATIONS

- **Sensor**.....: Optical and Magnetic
- **Max resolution**.....: 13 bitx16384 rev.
- **Resolution**.....: (13) 8192
- **Accuracy**.....: $\pm 0,5^\circ$
- **No. of rev**.....: 16384.
- **Technology multi-turn**..: Mechanical
- **Output codes**.....: Binary
- **Power supply Vcc**.....: 10-30 Vcc
- **Max consumption**.....: 1,7 W
- **Protection**.....: inversion of polarity
short-circuit
- **Output interface**.....: PROFINET IO
- **Profile**: Profidrive Profile 4.x
Encoder Profile 4.x
- **Baudrate**.....: 10 - 100 Mbit
- **Cycle time**.....: ≥ 1 mS
- **Communication mode**....: RT2, RT3 (isocronous)
- **Output Driver**.....: Ethernet
- **EMC**.....: EN 61000-6-2, EN 61000-6-4
- **Connection**: Connection cap with M12 plugs
- **Operating temperature**..: $-25 + +85^\circ\text{C}$
- **Storage temperature**...: $-40 + +100^\circ\text{C}$
- **Humidity**.....: 98% (without condensation)
- **Custodia**.....: Aluminium (*)
- **Weight**.....: 350 g
- **Shaft**.....: Stainless steel
- **Max radial/axial load**..: 40 N
- **IP output side**.....: 65
- **IP shaft side**.....: 65
- **Contin. max RPM**.....: 6000
- **Starting torque.gcm**..: 50
- **Impact resistance**.....: 250 G (11 ms)
- **Vibrations resistance**..: 10 G (10 ÷ 1000 Hz)
- **Ball bearings**: ABEC5

(*) Custom options

POSSIBLE OPTIONS

COD.	DESCRIPTION	COD.	DESCRIPTION	COD.	DESCRIPTION
				X	Custom options

	ELCIS encoder s.r.l. Via Rosa Luxembourg 12/14 10093 COLLEGNO (TO) ITALY Phone: +39 011 715577/78 r.a. Mail: ELCIS encoder s.r.l. P.O.Box 70 10093 COLLEGNO (TO) ITALY	* http://www.elcis.com * e-mail: info@elcis.com * Fax: +39 011 712613

INTERFACE

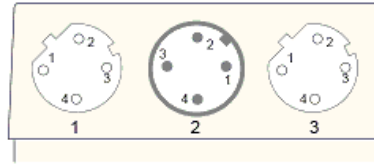
CONNECTIONS

» (PN) Profinet

» Connection view

Programmable parameter:

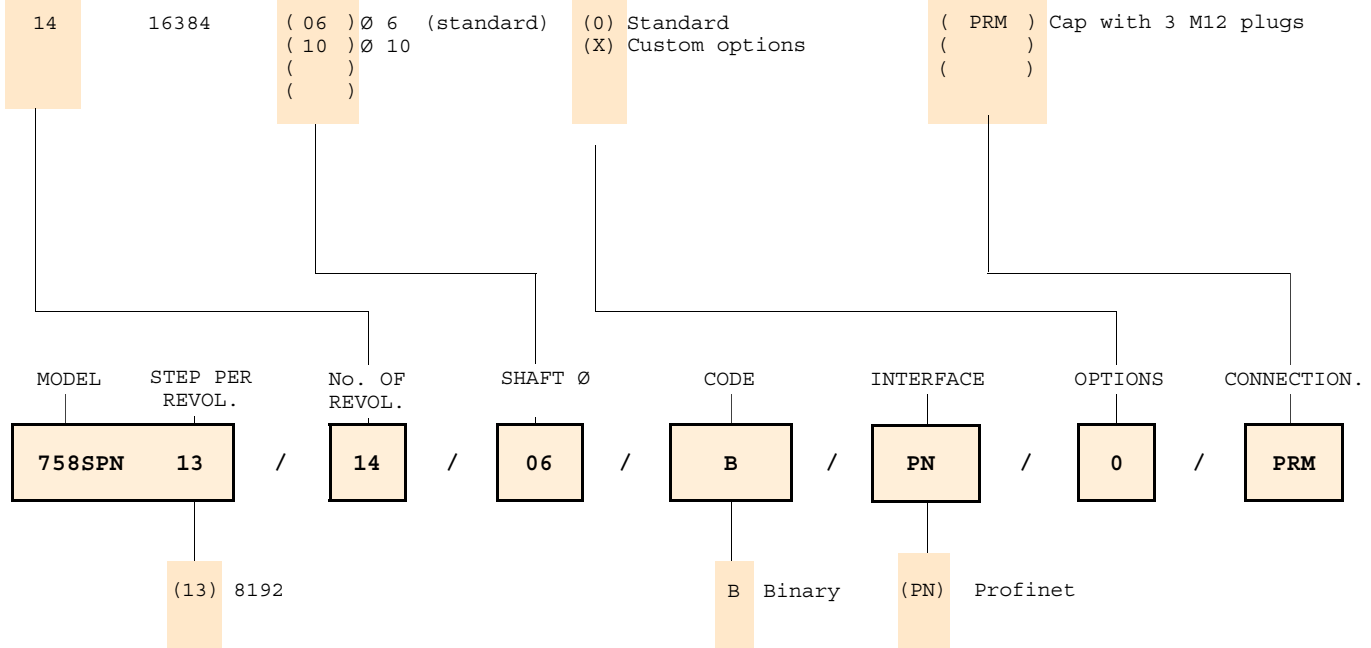
- . Counting direction
- . Scaling factor
- . Preset value
- . Offset value



CONNECTIONS

Connector 1		Connector 2		Connector 3	
Signal	Pin	Signal	Pin	Signal	Pin
Tx+	1	+Vcc	1	Tx+	1
Rx+	2	n.c.	2	Rx+	2
Tx-	3	GND	3	Tx-	3
Rx-	4	n.c.	4	Rx-	4

ORDERING INFORMATION



Product manufactured according to UNI EN ISO 9001:2000, supplied with CHECKING and CONFORMITY declaration with CE mark and with TWO (2) YEARS WARRANTY starting from delivery date.

COPYRIGHT by ELCIS - Collegno (TO)

ELCIS company has the right to make any change without previous notice

data sheet: IB 051 X00 pag.: 07.758SPN 2/2



ELCIS encoder s.r.l. Via Rosa Luxembourg 12/14 10093 COLLEGNO (TO) ITALY
 Phone: +39 011 715577/78 r.a.
 Mail: ELCIS encoder s.r.l. P.O.Box 70 10093 COLLEGNO (TO) ITALY

* <http://www.elcis.com>
 * e-mail: info@elcis.com
 * Fax: +39 011 712613