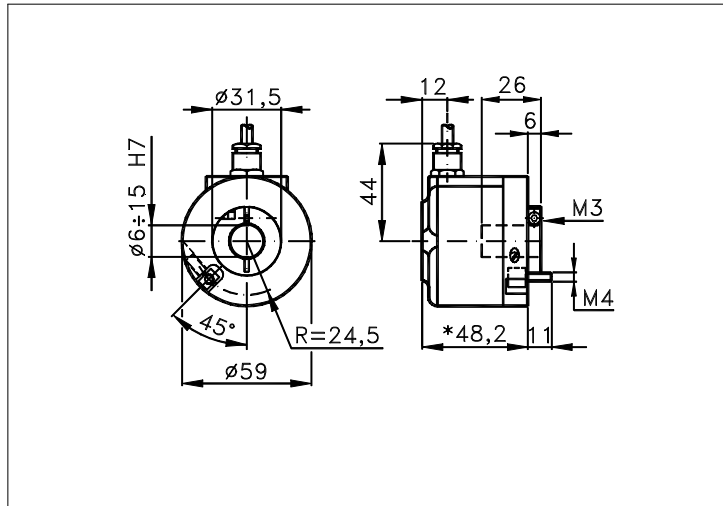


59CE

Sized draw standard version: CV R Measures without tolerance according to UNI ISO 2768-mk
Max joint compensation: axial ± 0,2mm, radial ± 0,05mm, angular ±1°

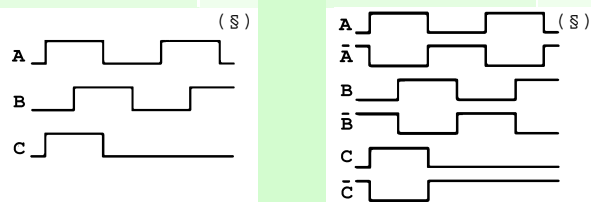


TECHNICAL FEATURES AND POSSIBLE CONFIGURATIONS

- Base.....: ALUMINIUM (*)
 - Cover.....: VALOX 420 (*)
 - Weight.....: 290 g
 - Shaft.....: Ø 6÷15 HOLLOW STAINLESS ST (*)
 - Max.rad/axial load.: 6 kg
 - IP output side.(°): see 'CONNECTION' of page 2
 - IP shaft side.(°)> std. 65 | sealed 66 | low torq. 53
 - opt. type (page 2)> standard | Z | B
 - Contin. max RPM(**)> 6000 | 3000 | 8000
 - Starting torque gcm> 60 | 90 | 25
 - Ball bearings life...: 1,5 x 10⁹ revolutions
 - Impact resistance....: 50 G x 11ms
 - Vibration resistance.: 12 G (10 ÷ 2000 Hz)
 - Power supply.....: 5÷30V (see page 2)
 - Operating temperature: 0 ÷ 60 °C (*)
 - Storage temperature...: -30 ÷ 85 °C
 - N° of pulses/rev.....: 1 ÷ 3600
 - Max frequency.....: 100 kHz (300 option)
 - Max consumptions mA...: std 120 line driver 180 (*)
 - Light source.....: LED with >= 100000 h life
- (°) IP according to CEI EN 60529, EN 60529, IEC 529
(*) custom options
(**) intermittent max RPM + 30% of continuous max RPM

ELECTRONICS

CODE	DESCRIPTION	mA	CODE	DESCRIPTION	mA	CODE	DESCRIPTION	mA	CODE	DESCRIPTION	mA
	STANDARD NPN	10	N	DRIVER 26LS31	30						
K	NPN OPEN COLL	10	T	TTL 7404	10						
Q	NPN	70	C	DRIVER 88C30	20						
R	NPN OPEN COLL	70									
P	PNP	70									
U	PNP OPEN COLL	70									
B	PUSH-PULL PRO	70									
H	PUSH-PULL	70									



Tolerance between phases ± 25°, symmetry ± 15°

(S) Clock-wise output rotation (see shaft).



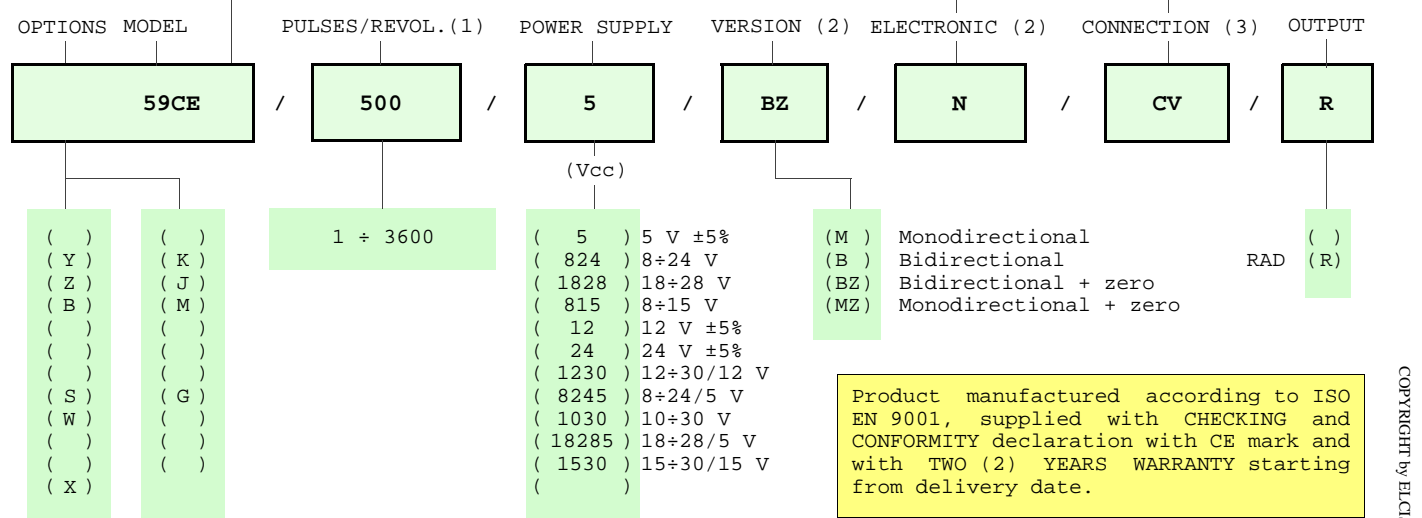
ELCIS s.r.l. Via Rosa Luxembourg 12/14 10093 COLLEGNO (TO) ITALY
Phone: +39 011 715577/78 a.r.
MAIL: ELCIS s.r.l. P.O.Box 90 10093 COLLEGNO (TO) ITALY

* <http://www.elcis.com>
* e-mail: info@elcis.com
* Fax: +39 011 712613

POSSIBLE OPTIONS				POSSIBLE CONNECTIONS								
CODE	DESCRIPTION	CODE	DESCRIPTION	CABLE			OUTPUT:					
Y	Unbreakable disk	K	Invert. phase A,B,Zero.	CV			RAD					
Z	Sealed ball bearing	J	Zero logic combination	CONNECTOR			OUTPUT:					
B	Low torque ball bear.	M	Impregnated electronic	CABLE END CONNECTOR			OUTPUT:					
S	160 KHz frequency	G	Tropicalization	VM	TM	VL	TL	VD	VH	VH5	VI	RAD
W	300 KHz frequency			VE	VK	TK	VN	VH6	VM5	VM9	VS	
X	Custom options			VD5	TERMINAL BOX						OUTPUT:	


ORDERING INFORMATION

POSSIBLE HOLLOW Ø		CABLE	CONNECTOR	CABLE END CONNECTOR
(6) Ø 6	() STANDARD NPN	IP65	()	(VM) 7c normal
(8) Ø 8	(K) NPN OPEN COLL	(CV) 1 m long	()	(TM) 7c sealed
(952) Ø 9,52	(Q) NPN	()	()	(VL) 10c normal
(10) Ø 10	(R) NPN OPEN COLL	()	()	(TL) 10c sealed
(15) Ø 15	(P) PNP	TERMINAL BOX	()	(VD) 9c
(n) Ø n upon requ.	(U) PNP OPEN COLL	IP00	()	(VH) 12c anticlock.
()	(B) PUSH-PULL PRO	()	()	(VH5) 12c clock-wise
()	(H) PUSH-PULL	()	()	(VI) 12c crimped
()	(N) DRIVER 26LS31	()	()	(VE) 5c
()	(T) TTL 7404	()	()	(VK) 17c normal
()	(C) DRIVER 88C30	()	()	(TK) 17c sealed
()	()	()	()	(VN) 12c
()	()	()	()	(VH6) 12c clock-wise
()	(X) CUSTOM OPTION	()	()	(VM5) 26c
()	()	()	()	(VM9) 16c
()	()	()	()	(VS) 12c
()	()	()	()	(VD5) 9c screened



NOTE: FOR 88C30 MAX 15 Vcc

(1) For further information see PULSES/REVOL. data sheet
 (2) For further information see ELECTRONIC data sheet
 (3) For further information see CONNECTION data sheet

	<p>ELCIS s.r.l. Via Rosa Luxembourg 12/14 10093 COLLEGNO (TO) ITALY Phone: +39 011 715577/78 a.r. MAIL: ELCIS s.r.l. P.O.Box 90 10093 COLLEGNO (TO) ITALY</p>	<p>* http://www.elcis.com * e-mail: info@elcis.com * Fax: +39 011 712613</p>
------------------------------------------------------------------------------------	-----------------------------------------------------------------------------------------------------------------------------------------------------------------------------------------	-------------------------------------------------------------------------------------------------------------------------------------------------------------------------------

COPYRIGHT by ELCIS - Collegno (TO)