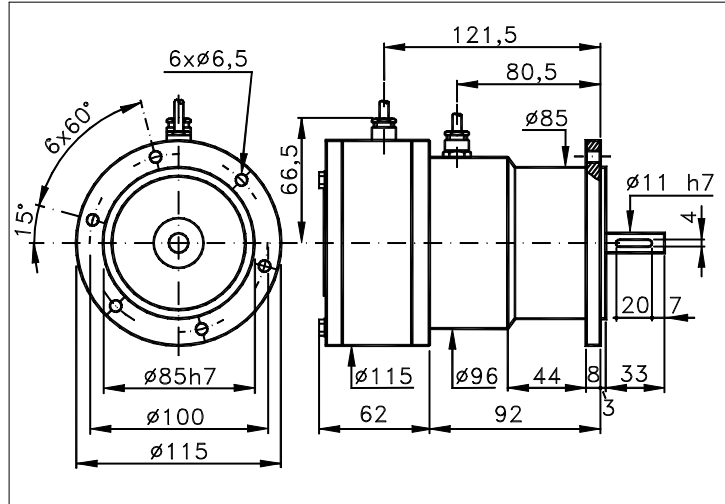


115TB

Sized draw standard version: CV R Measures without tolerance according to UNI ISO 2768-mk
R.CENTRIF.IP54



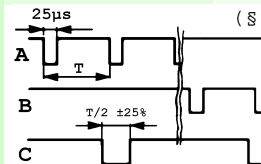
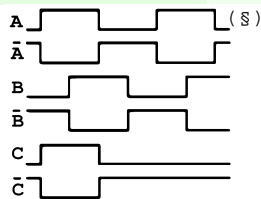
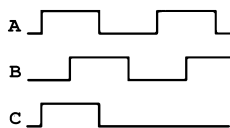
TECHNICAL FEATURES AND POSSIBLE CONFIGURATIONS

- Base.....: ANODIZED ALUMINIUM (*)
- Cover.....: ANODIZED ALUMINIUM (*)
- Weight.....: 1700 g
- Shaft.....: Ø 11 STAINLESS STEEL (*)
- Max.rad/axial load.: 18 kg
- IP output side.(°): see 'CONNECTION' of page 2
- IP shaft side.(°):> std. 64 | sealed 66 | low torq. -
- opt. type (page 2):> standard | Z
- Contin. max RPM(**)> 6000 | 3000 | -
- Starting torque gcm> 350 | 450 | -
- (°) IP according to CEI EN 60529, EN 60529, IEC 529
- (*) custom options
- Ball bearings life....: 1,5 x 10⁹ revolutions
- Impact resistance....: 50 G x 11ms
- Vibration resistance.: 12 G (10 ÷ 2000 Hz)
- Power supply.....: 5÷30V (see page 2)
- Operating temperature: 0 ÷ 70 °C (*)
- Storage temperature...: -30 ÷ 85 °C
- N° of pulses/rev.....: 1 ÷ 3600
- Max frequency.....: 100 KHz (160 option)
- Max consumptions mA...: std 120 line driver 180 (*)
- Light source.....: LED with >= 100000 h life
- (**) intermittent max RPM + 30% of continuous max RPM

ELECTRONICS

CODE	DESCRIPTION	mA	CODE	DESCRIPTION	mA	CODE	DESCRIPTION	mA	CODE	DESCRIPTION	mA
	STANDARD NPN	10	N	DRIVER 26LS31	30	D	DISCRIMINAT.	70			
K	NPN OPEN COLL	10	T	TTL 7404	10						
Q	NPN	70	C	DRIVER 88C30	20						
R	NPN OPEN COLL	70	L	2x PUSH-P.PRO	70						
P	PNP	70	M	2x PUSH-PULL	70						
U	PNP OPEN COLL	70									
B	PUSH-PULL PRO	70									
H	PUSH-PULL	70									

(§) Clock-wise output rotation (see shaft).



Tolerance between phases ± 25°, symmetry ± 15°

(§) Clock-wise output rotation (see shaft).



ELCIS s.r.l. Via Rosa Luxembourg 12/14 10093 COLLEGNO (TO) ITALY
Phone: +39 011 715577/78 a.r.
MAIL: ELCIS s.r.l. P.O.Box 90 10093 COLLEGNO (TO) ITALY

* <http://www.elcis.com>
* e-mail: info@elcis.com
* Fax: +39 011 712613

