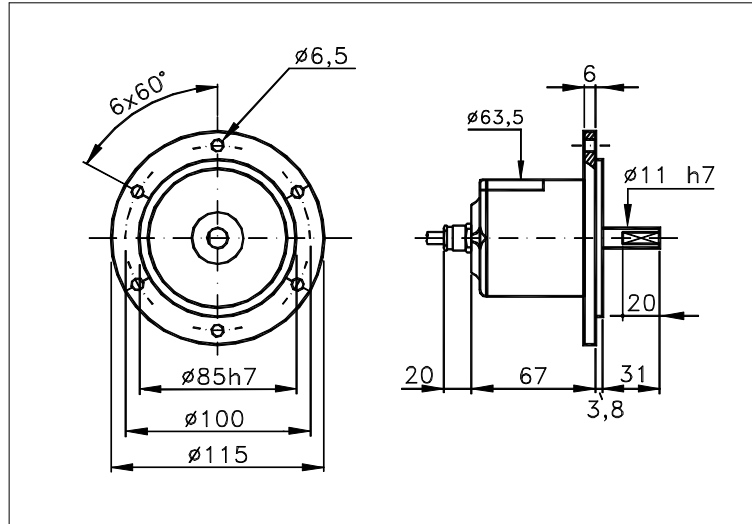


**115E**

Sized draw standard version: CV Measures without tolerance according to UNI ISO 2768-mk



**TECHNICAL FEATURES AND POSSIBLE CONFIGURATIONS**

- Base.....: ALUMINIUM (\*)
- Cover.....: VALOX 420 (\*)
- Weight.....: 630 g
- Shaft.....: Ø 11 STAINLESS STEEL (\*)
- Max.rad/axial load.: 20 kg
- IP output side.(°): see 'CONNECTION' of page 2
- IP shaft side..(°)> std. 65 | sealed 66 | low torq. 54
- opt. type (page 2)> standard | Z | B
- Contin. max RPM(\*\*)> 6000 | 3000 | 8000
- Starting torque gcm> 90 | 150 | 50
- Ball bearings life....: 1,5 x 10<sup>9</sup> revolutions
- Impact resistance....: 50 G x 11ms
- Vibration resistance.: 12 G (10 ÷ 2000 Hz)
- Power supply.....: 5÷30V (see page 2)
- Operating temperature: 0 ÷ 70 °C (\*)
- Storage temperature...: -30 ÷ 85 °C
- N° of pulses/rev.....: 1 ÷ 10000
- Max frequency.....: 100 kHz (300 option)
- Max consumptions mA...: std 120 line driver 180 (\*)
- Light source.....: LED with >= 100000 h life

(°) IP according to CEI EN 60529, EN 60529, IEC 529

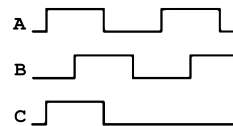
(\*) custom options

(\*\*) intermittent max RPM + 30% of continuous max RPM

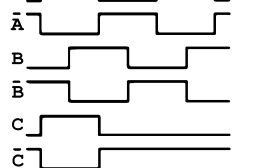
**ELECTRONICS**

CODE	DESCRIPTION	mA	CODE	DESCRIPTION	mA	CODE	DESCRIPTION	mA	CODE	DESCRIPTION	mA
	STANDARD NPN	10	N	DRIVER 26LS31	30	D	DISCRIMINAT.	70	Y	SINUSOID. 1Vpp	10
K	NPN OPEN COLL	10	T	TTL 7404	10						
Q	NPN	70	C	DRIVER 88C30	20						
R	NPN OPEN COLL	70	L	2x PUSH-P.PRO	70						
P	PNP	70	M	2x PUSH-PULL	70						
U	PNP OPEN COLL	70									
B	PUSH-PULL PRO	70									
H	PUSH-PULL	70									

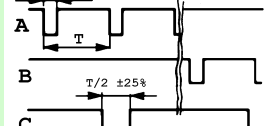
(§) Clock-wise output rotation (see shaft).



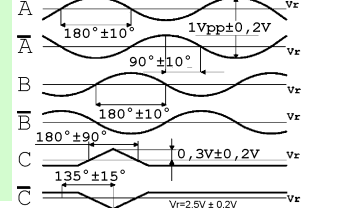
(§) Clock-against rotation (see shaft).



(§) Timing diagram for driver signals A, B, and C with pulse width 25µs and period T/2 ± 25%.



(§) Sinusoidal output waveforms for channels A, B, and C with phase shifts and voltage levels.



Tolerance between phases ± 25°, symmetry ± 15%

(§) Clock-wise output rotation (see shaft).



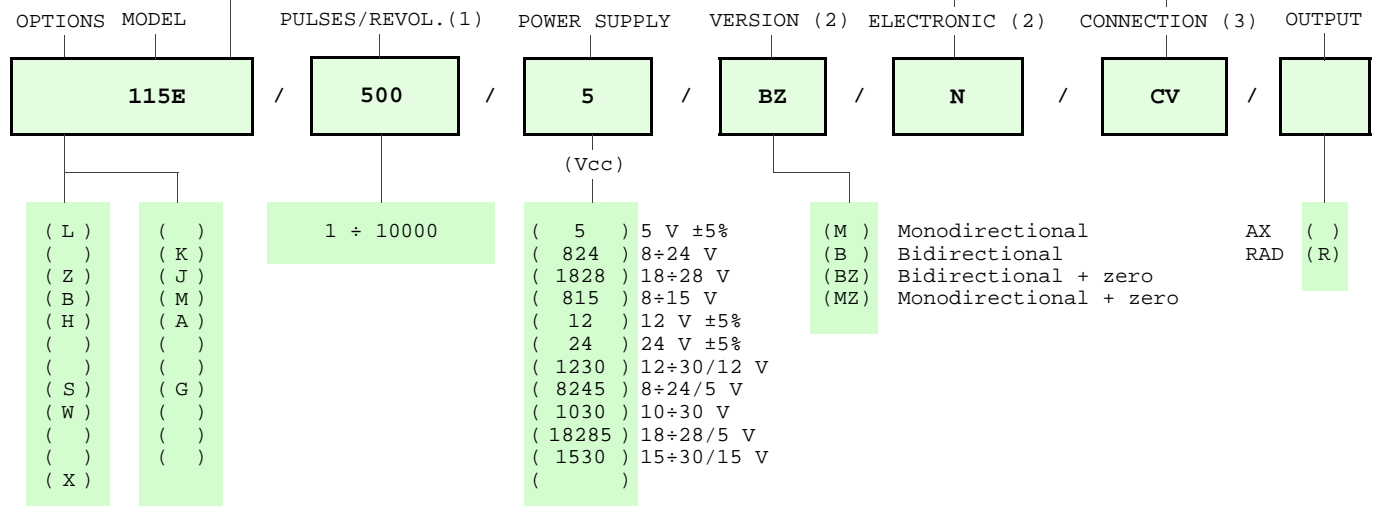
ELCIS s.r.l. Via Rosa Luxembourg 12/14 10093 COLLEGNO (TO) ITALY  
Phone: +39 011 715577/78 a.r.  
MAIL: ELCIS s.r.l. P.O.Box 43 10093 COLLEGNO (TO) ITALY

\* <http://www.elcis.com>  
\* e-mail: [info@elcis.com](mailto:info@elcis.com)  
\* Fax: +39 011 712613

POSSIBLE OPTIONS				POSSIBLE CONNECTIONS								
CODE	DESCRIPTION	CODE	DESCRIPTION	CABLE				OUTPUT:				
L	Low temperature	K	Invert. phase A,B,Zero.	CV				AX RAD				
Z	Sealed ball bearing	J	Zero logic combination	CONNECTOR				OUTPUT:				
B	Low torque ball bear.	M	Impregnated electronic	CM	SM	CL	SL	CD	CH	CH5	CI	AX
H	Different shaft Ø	A	High temperature	CE			C4	CH6				RAD
S	160 KHz frequency	G	Tropicalization	CABLE END CONNECTOR				OUTPUT:				
W	300 KHz frequency			VM	TM	VL	TL	VD	VH	VH5	VI	AX
X	Custom options			VE	VK	TK	VN	VH6	VM5	VM9	VS	RAD
				VD5								
				TERMINAL BOX				OUTPUT:				

**ORDERING INFORMATION**


POSSIBLE SHAFT Ø	STANDARD NPN	CABLE	CONNECTOR	CABLE END CONNECTOR
( )	( K ) NPN OPEN COLL	IP65		IP65 encoder output
( )	( Q ) NPN	( CV ) 1 m long	( CM ) 7c norm. IP65	( VM ) 7c normal
( )	( R ) NPN OPEN COLL		( SM ) 7c sealed IP66	( TM ) 7c sealed
( )	( P ) PNP		( CL ) 10c norm. IP65	( VL ) 10c normal
( )	( U ) PNP OPEN COLL		( SL ) 10c sealed IP66	( TL ) 10c sealed
( n ) Ø n upon requ.	( B ) PUSH-PULL PRO		( CD ) 9c sub D IP63	( VD ) 9c
( )	( H ) PUSH-PULL	TERMINAL BOX	( CH ) 12c ccw IP67	( VH ) 12c anticlock.
( )	( N ) DRIVER 26LS31	IP00	( CH5 ) 12c cw IP67	( VH5 ) 12c clock-wise
( )	( T ) TTL 7404		( CI ) 12c crimp. IP64	( VI ) 12c crimped
( )	( C ) DRIVER 88C30		( CE ) 5c miniat IP64	( VE ) 5c
( )	( L ) 2x PUSH-P.PRO			( VK ) 17c normal
( )	( M ) 2x PUSH-PULL			( TK ) 17c sealed
( )	( D ) DISCRIMINAT.		( C4 ) 4c screw IP65	( VN ) 12c
( )	( Y ) SINUSOID.1Vpp		( CH6 ) 12c cw IP67	( VH6 ) 12c clock-wise
( )	( X ) CUSTOM OPTION			( VM5 ) 26c
( )				( VM9 ) 16c
( )				( VS ) 12c
( )				( VD5 ) 9c screened



NOTE: FOR 88C30 MAX 15 Vdc

Product manufactured according to UNI EN ISO 9001:2000, supplied with CHECKING and CONFORMITY declaration with CE mark and with TWO (2) YEARS WARRANTY starting from delivery date.

- (1) For further information see PULSES/REVOL. data sheet
- (2) For further information see ELECTRONIC data sheet
- (3) For further information see CONNECTION data sheet

	ELCIS s.r.l. Via Rosa Luxembourg 12/14 10093 COLLEGNO (TO) ITALY Phone: +39 011 715577/78 a.r. MAIL: ELCIS s.r.l. P.O.Box 43 10093 COLLEGNO (TO) ITALY	* http://www.elcis.com * e-mail: info@elcis.com * Fax: +39 011 712613
--	--	---

COPYRIGHT by ELCIS - Collegno (TO)