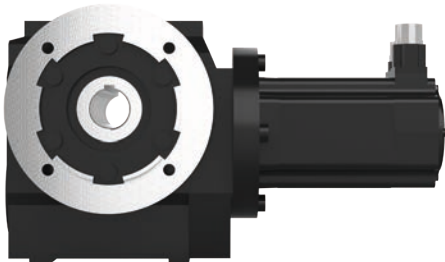


OPTIMISED FOR MODULAR GEARBOX

HELICAL GEAR G

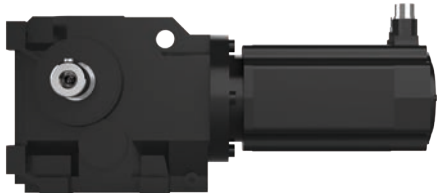


HELICAL WORM GEAR S

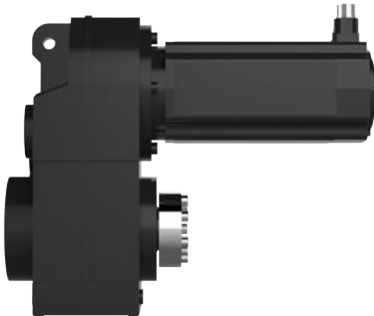
PLANETARY GEAR (P)



HELICAL BEVEL GEAR K



SHAFT MOUNTED HELICAL GEAR F



TA 1_ **0.5 – 0.9**

TA 2_ **1.3 – 3.1**

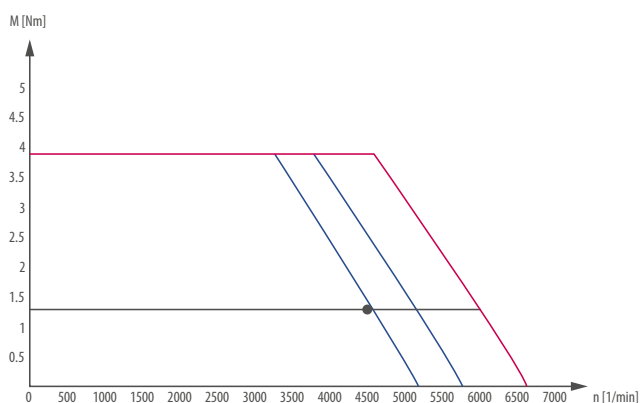
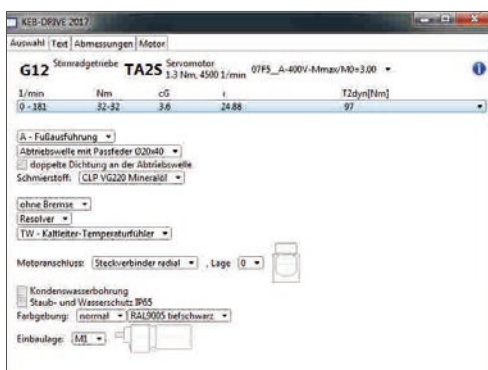
TA 3_ **2.9 – 6.4**

TA 4_ **6.9 – 11.7**

TA 5_ **11.5 – 30.0**

TA 6_ **34.5 – 90.0**

Stall torque in Nm



TA SERIES

Servo technology in combination with an industrial gear box module gives rise to a variety of servo geared motor types:

Spur, shaft-mounted helical, helical worm, helical bevel and planetary gear.

The direct input into the gearhead reduces the work that would otherwise be required with a conventional connection coupler, increasing efficiency and service life in a particularly compact design.

As a flexible solution from the gearhead module, the servo gear motor offers high overall efficiency and excellent dynamics, as well as reduced backlash option (on request). The series TA offers properties such as lifetime lubrication, universal installation positions and robust mechanics.

KEB DRIVE

is our perfect software tool for geared motor selections, based on a combination of continuous torque and peak current dependent on the nominal torque. It also provides technical data sheets, 2D and 3D engineering files as well as the ability to allocate a matching controller.

TYPE TA

MOTOR	T_N [Nm]	T_0 [Nm]	T_{MAX} [Nm]	N_N [rpm]	J_L [kgcm ²]	A [mm]	B □ [mm]	C [mm]				D_{K6} Ø[mm]	L [mm]	N_{J6} Ø[mm]	P Ø[mm]	GEAR (available)				
								resolver	brake + resolver	absolute encoder	brake + absolute encoder					G	F	S	K	P
TA 1S	0.49 / 0.48	0.5	1.5	4,500 /	0.136	104.5	58	134	169	161	196	9	20	40	63	■	-	■	■	■
TA 1M	0.89 / 0.88	0.9	2.7	6,000	0.2			164	199	191	226									
TA 2S	1.29 / 1.28	1.3	3.9	4,500 / 6,000	0.391	117.5	75	153	178	180	205	11	23	60	75	■	-	■	■	■
TA 2M	2.2 / 2	2.4	7.2		0.66			193	218	220	245									
TA 2L	2.8	3.1	9.3		0.927			233	258	260	285									
TA 3S	2.6 / 2.45 / 2.25	2.9	8.7	3,000 /	1.13	132.5	90	166	216	193	243	14	30	80	100	■	■	■	■	■
TA 3M	4.2 / 3.8 / 3.4	4.8	14.4	4,500 /	1.95			216	266	243	293									
TA 3L	5.3 / 4.2 / 3.9	6.4	19.2	6,000	2.76	266	316	293	343											
TA 41	6.6 / 6.3 / 5.7	6.9	20.7	2,000 /	5.65	160	116	241	276	261	296	19	40	110	130	■	■	■	■	■
TA 42	8.6 / 8.1 / 7.1	9.2	27.6	3,000 /	8.15			276	311	296	331									
TA 43	10.8 / 10.1 / 8.6	11.7	35.1	4,500	10.65	311	346	331	366											
TA 51	10.8 / 10.2 / 9	11.5	34.5	2,000 / 3,000 / 4,500	14.9	188	145	273	308	293	328	24	50	130	165	■	■	■	■	-
TA 52	14.7 / 13.5 / 11.3	16.1	48.3		21.53			188	308	343	328					363				
TA 53	17.7 / 16.1 / 10.4	20	60		28.15			188	343	378	363					398				
TA 53F	27 / 24 / 15.5	30	60		28.15			194.5	473	528	473					528				
TA 61	31.5 / 30 / 26	34.5	103.5	1,500 / 2,000 / 3,000	77.71	252	188	367	407	387	427	32	58	180	215	■	■	■	■	-
TA 62	44 / 41 / 33	50	150		113.7			252	445	485	465					505				
TA 63	55 / 50 / 37	64	192		149.7			252	515	555	535					575				
TA 63F	82 / 75 / 55	90	192		149.7			257	690	730	690					730				

ENCODER SYSTEMS

Resolver resolution 12 bit/revolution
 BISS Singleturn - 9 bit/revolution
 Hiperface Singleturn - 17 bit/revolution

Multiturn - 12 bit/revolution – 19 bit revolution
 Multiturn - 12 bit/revolution – 17 bit revolution

Features:
 straight plug, shaft with keyway,
 PTC-Sensor, protection IP 54

Options:
 permanent magnet brake, right angle plug,
 KTY-Sensor Protection Ip65

Prepared for the operation with

COMBIVERT F5 **COMBIVERT S6** **COMBIVERT F6** **COMBIVERT H6**

