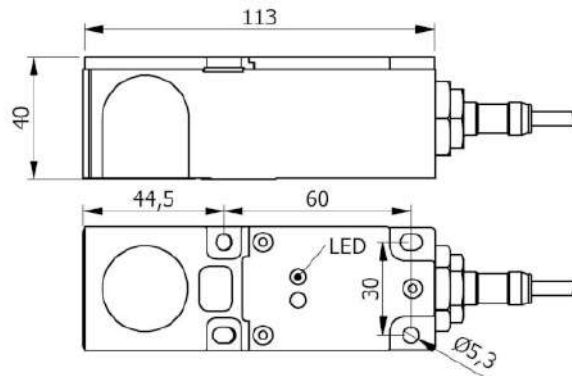


Part number: **SIP000095** Model: **SIP40-C15 NPN NO+NC LC2**



SENSITIVITY ADJUSTABLE IN 5 POSITIONS

Dimension in mm

## 1. TECHNICAL CHARACTERISTICS



### Electrical data

Power supply type:		Direct current
Working voltage:	[V]	10 ÷ 55
Current consumption:	[mA]	< 10 mA @ 24Vdc
Protection class:		III
Reverse polarity protection:		Presente

### Outputs

Electrical design:		NPN
Function:		NO+NC
Max voltage drop:	[V]	< 1.8
Max output current:	[mA]	200
Max switching frequency:	[Hz]	300
Short circuit protection:		Present
Overload protection:		Present

### Detection zone

Switching distance-Sn:	[mm]	15
Real sensing distance-Sr:	[mm]	15 ±10%
Operative distance-So:	[mm]	0 ÷ 12.15

### Accuracy and Deviations

Correction factor:		Stainless steel: 0.9 - Brass: 0.5 - Aluminium: 0.4 - Copper: 0.4
Hysteresis:	[%Sr]	< 10
Switching point drift:	[%Sr]	-10 ÷ +10
Repeatability:	[%Sn]	< 3

### Environmental conditions

Temperature limits:	[°C]	-25 ÷ +70
IP rating:		IP65-IP66-IP67

**Display and control elements**

Display:	Output switching status - 1 x LED: Yellow
----------	-------------------------------------------

**Mechanical data**

Housing:	Parallelepiped
Dimensions: [mm]	40 x 40 x 114
Materials:	Housing: PC red - Sensing area: PC red
Mounting:	Embeddable
Weight: [g]	280

**Electrical connection**

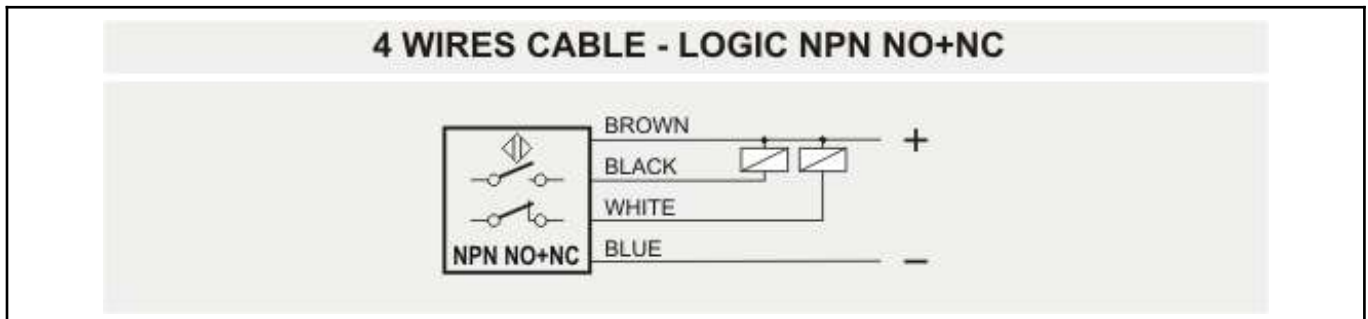
Cable:	2 m - PVC/PVC - 4 x 0.25 mm <sup>2</sup>
--------	------------------------------------------

**Compliance to Standards / Directives**

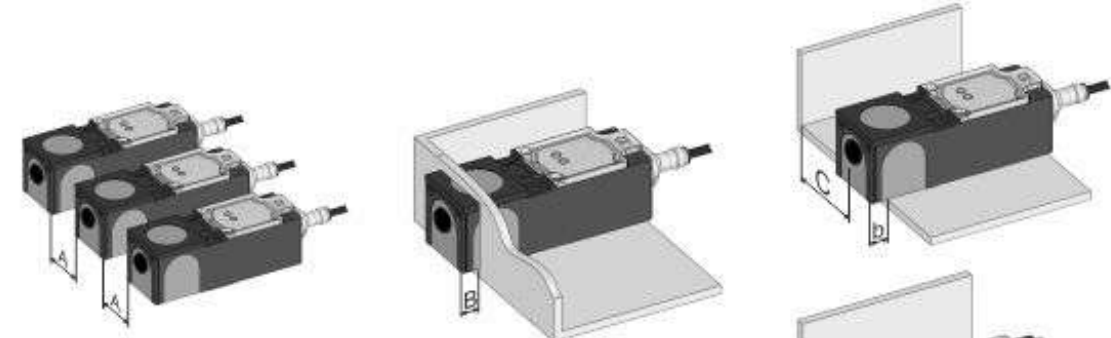
Directives compliance:	2014/30/EU -Electromagnetic compatibility directive (EMC)
Standards compliance:	EN60947-5-2 - Product standard

**2. NORME DI INSTALLAZIONE**

**WIRING DIAGRAM**



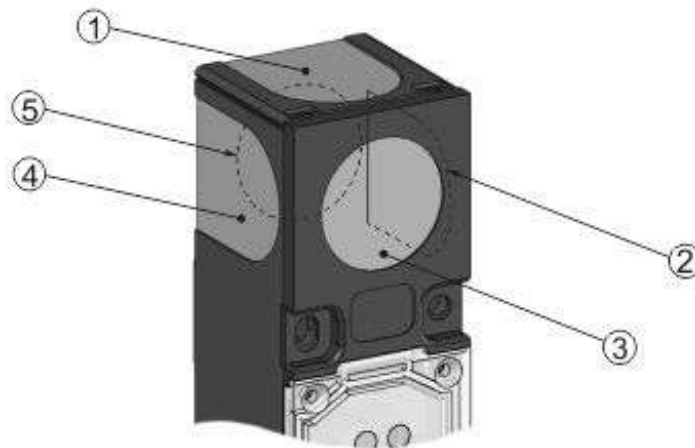
**INSTRUCTIONS FOR CORRECT INSTALLATION**



Note: The installation examples are referred to the active surface marked in black.

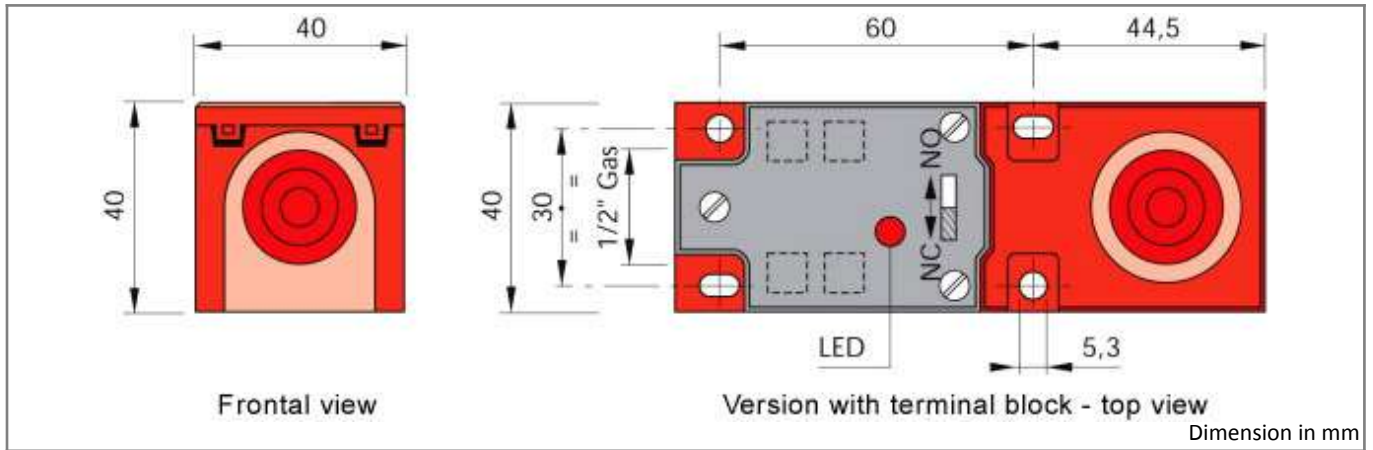
Modello	A	B	b	C	D
SIP 40 Total shielded	≥ 30 mm	≥ 6 mm	≥ 0 mm	≥ 0 mm	≥ 0 mm
SIP 40 Partly shielded	≥ 50 mm	≥ 40 mm	≥ 15 mm	≥ 10 mm	≥ 15 mm

Titolo img 1



Note: In the SIP40 sensor the oscillator is housed in a module interlocking and the active surface can assume five different positions as needed and can be highlighted externally with a special label supplied with the product.

Part number: **SIP000102** Model: **SIP40-C15 PNP NO+NC**



## 1. TECHNICAL CHARACTERISTICS



Electrical data		
Power supply type:		Direct current
Working voltage:	[V]	10 ÷ 55
Current consumption:	[mA]	< 10 mA @ 24Vdc
Protection class:		III
Reverse polarity protection:		Presente
Outputs		
Electrical design:		PNP
Function:		NO+NC
Max voltage drop:	[V]	< 1.8
Max output current:	[mA]	200
Max switching frequency:	[Hz]	300
Short circuit protection:		Present
Overload protection:		Present
Detection zone		
Switching distance-Sn:	[mm]	15
Real sensing distance-Sr:	[mm]	15 ±10%
Operative distance-So:	[mm]	0 ÷ 12.15
Accuracy and Deviations		
Correction factor:		Stainless steel: 0.9 - Brass: 0.5 - Aluminium: 0.4 - Copper: 0.4
Hysteresis:	[%Sr]	< 10
Switching point drift:	[%Sr]	-10 ÷ +10
Repeatability:	[%Sn]	< 3
Environmental conditions		
Temperature limits:	[°C]	-25 ÷ +70
IP rating:		IP65

### Display and control elements

Display:	Output switching status - 1 x LED: Yellow
----------	-------------------------------------------

### Mechanical data

Housing:	Parallelepiped
Dimensions: [mm]	40 x 40 x 114
Materials:	Housing: PC red - Sensing area: PC red
Mounting:	Embeddable
Weight: [g]	200

### Electrical connection

Terminal block:	4-pole terminal block
-----------------	-----------------------

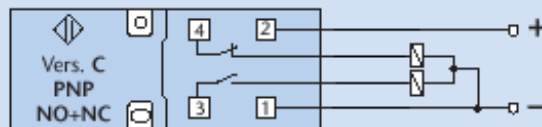
### Compliance to Standards / Directives

Directives compliance:	2014/30/EU -Electromagnetic compatibility directive (EMC)
Standards compliance:	EN60947-5-2 - Product standard

## 2. NORME DI INSTALLAZIONE

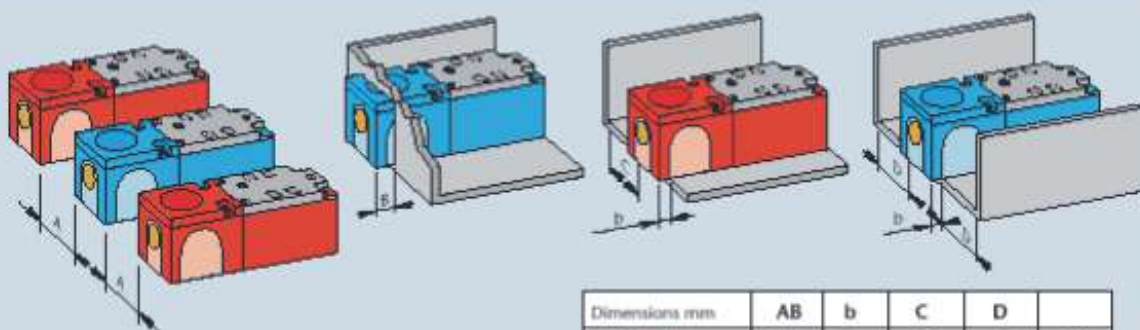
### WIRING DIAGRAM

#### CONNECTIONS WITH TERMINAL BLOCK



### INSTRUCTIONS FOR CORRECT INSTALLATION

#### INSTRUCTIONS FOR CORRECT INSTALLATION

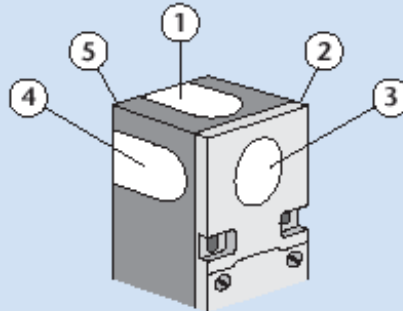


• The installation example makes reference to the areas marked yellow

Dimensions mm	AB	b	C	D	
SIP 40 ▲	≥30	≥6	≥0	≥0	≥0
SIP 40 ●	≥50	≥40	≥15	≥10	≥15

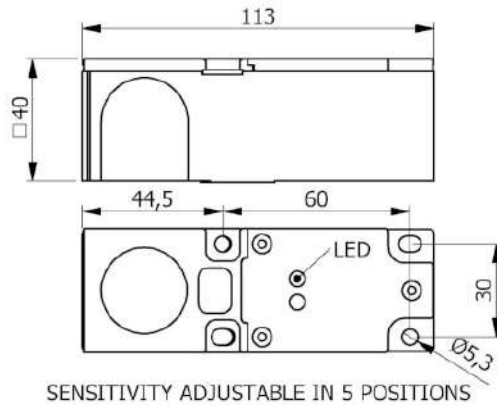
Titolo img 1

**ADJUSTABLE SENSITIVITY SIP 40**



NOTE: In the SIP 40 sensor the oscillator is contained in a module which clips into the body whose surface can then be sensitive on five different positions. The surface chosen can be identified by applying the circular adhesive label.

Part number: **SIP000096** Model: **SIP40-C15 NPN NO+NC**



Dimension in mm

## 1. TECHNICAL CHARACTERISTICS



### Electrical data

Power supply type:		Direct current
Working voltage:	[V]	10 ÷ 55
Current consumption:	[mA]	< 10 mA @ 24Vdc
Protection class:		III
Reverse polarity protection:		Presente

### Outputs

Electrical design:		NPN
Function:		NO+NC
Max voltage drop:	[V]	< 1.8
Max output current:	[mA]	200
Max switching frequency:	[Hz]	300
Short circuit protection:		Present
Overload protection:		Present

### Detection zone

Switching distance-Sn:	[mm]	15
Real sensing distance-Sr:	[mm]	15 ±10%
Operative distance-So:	[mm]	0 ÷ 12.15

### Accuracy and Deviations

Correction factor:		Stainless steel: 0.9 - Brass: 0.5 - Aluminium: 0.4 - Copper: 0.4
Hysteresis:	[%Sr]	< 10
Switching point drift:	[%Sr]	-10 ÷ +10
Repeatability:	[%Sn]	< 3

### Environmental conditions

Temperature limits:	[°C]	-25 ÷ +70
IP rating:		IP65

### Display and control elements

Display:	Output switching status - 1 x LED: Yellow
----------	-------------------------------------------

### Mechanical data

Housing:	Parallelepiped
Dimensions: [mm]	40 x 40 x 114
Materials:	Housing: PC red - Sensing area: PC red
Mounting:	Embeddable
Weight: [g]	200

### Electrical connection

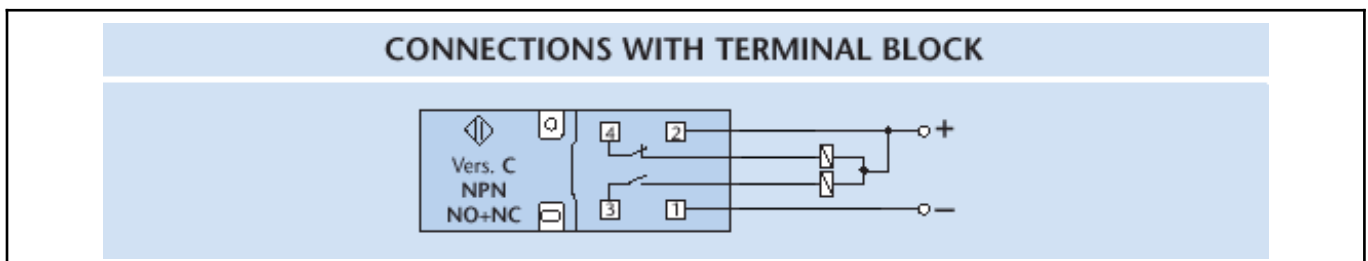
Terminal block:	4-pole terminal block
-----------------	-----------------------

### Compliance to Standards / Directives

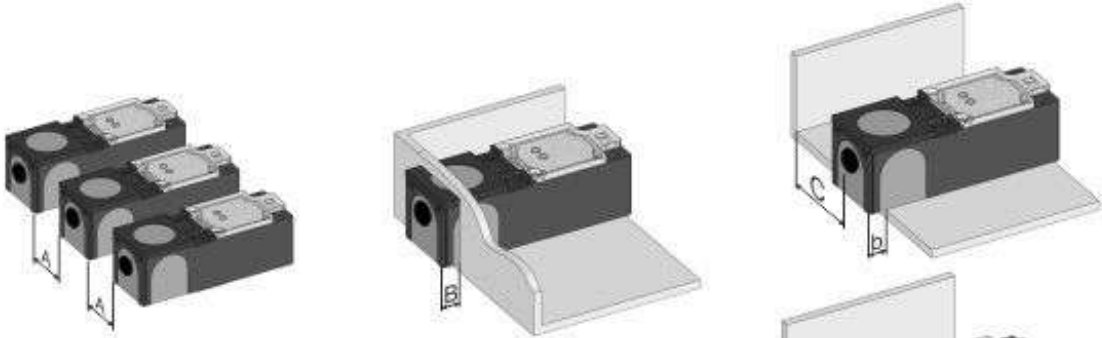
Directives compliance:	2014/30/EU - Electromagnetic compatibility directive (EMC)
Standards compliance:	EN60947-5-2 - Product standard

## 2. NORME DI INSTALLAZIONE

### WIRING DIAGRAM



### INSTRUCTIONS FOR CORRECT INSTALLATION

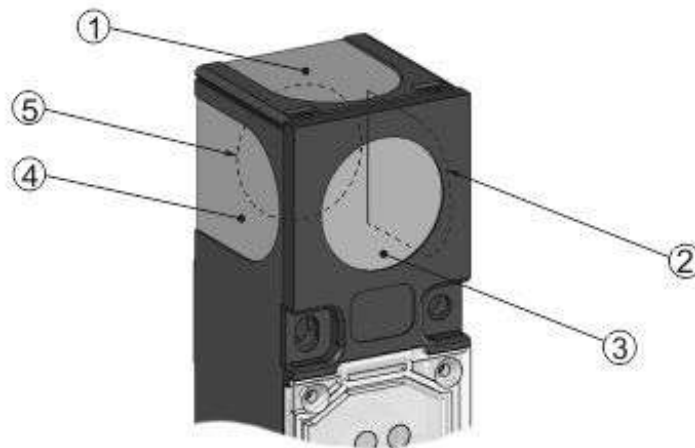


Note: The installation examples are referred to the active surface marked in black.

Modello	A	B	b	C	D
SIP 40 Total shielded	≥ 30 mm	≥ 6 mm	≥ 0 mm	≥ 0 mm	≥ 0 mm
SIP 40 Partly shielded	≥ 50 mm	≥ 40 mm	≥ 15 mm	≥ 10 mm	≥ 15 mm

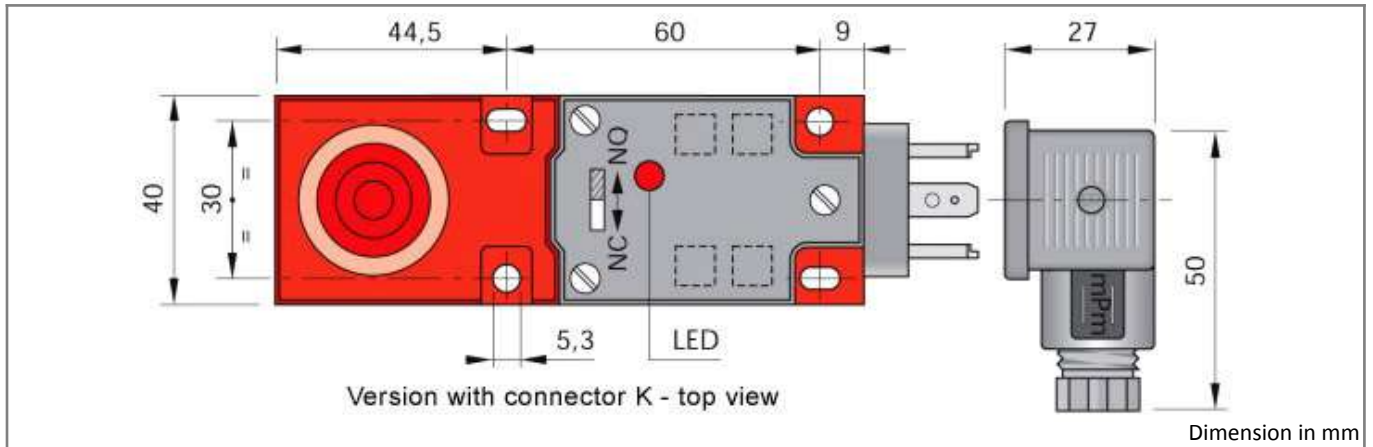


Titolo img 1



Note: In the SIP40 sensor the oscillator is housed in a module interlocking and the active surface can assume five different positions as needed and can be highlighted externally with a special label supplied with the product.

Part number: **SIP000100** Model: **SIP40-C15 PNP NO+NC K**



## 1. TECHNICAL CHARACTERISTICS



### Electrical data

Power supply type:		Direct current
Working voltage:	[V]	10 ÷ 55
Current consumption:	[mA]	< 10 mA @ 24Vdc
Protection class:		III
Reverse polarity protection:		Presente

### Outputs

Electrical design:		PNP
Function:		NO+NC
Max voltage drop:	[V]	< 1.8
Max output current:	[mA]	200
Max switching frequency:	[Hz]	300
Short circuit protection:		Present
Overload protection:		Present

### Detection zone

Switching distance-Sn:	[mm]	15
Real sensing distance-Sr:	[mm]	15 ±10%
Operative distance-So:	[mm]	0 ÷ 12.15

### Accuracy and Deviations

Correction factor:		Stainless steel: 0.9 - Brass: 0.5 - Aluminium: 0.4 - Copper: 0.4
Hysteresis:	[%Sr]	< 10
Switching point drift:	[%Sr]	-10 ÷ +10
Repeatability:	[%Sn]	< 3

### Environmental conditions

Temperature limits:	[°C]	-25 ÷ +70
IP rating:		IP65

### Display and control elements

Display:	Output switching status - 1 x LED: Yellow
----------	-------------------------------------------

### Mechanical data

Housing:	Parallelepiped
Dimensions: [mm]	40 x 40 x 114
Materials:	Housing: PC red - Sensing area: PC red
Mounting:	Embeddable
Weight: [g]	220

### Electrical connection

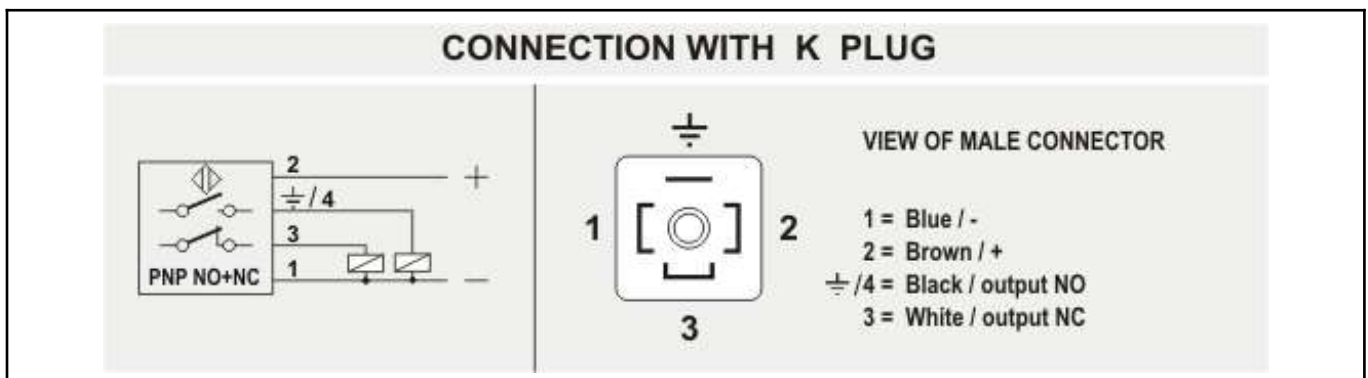
Connector:	K Type - 4 poles - EN 17301-803
------------	---------------------------------

### Compliance to Standards / Directives

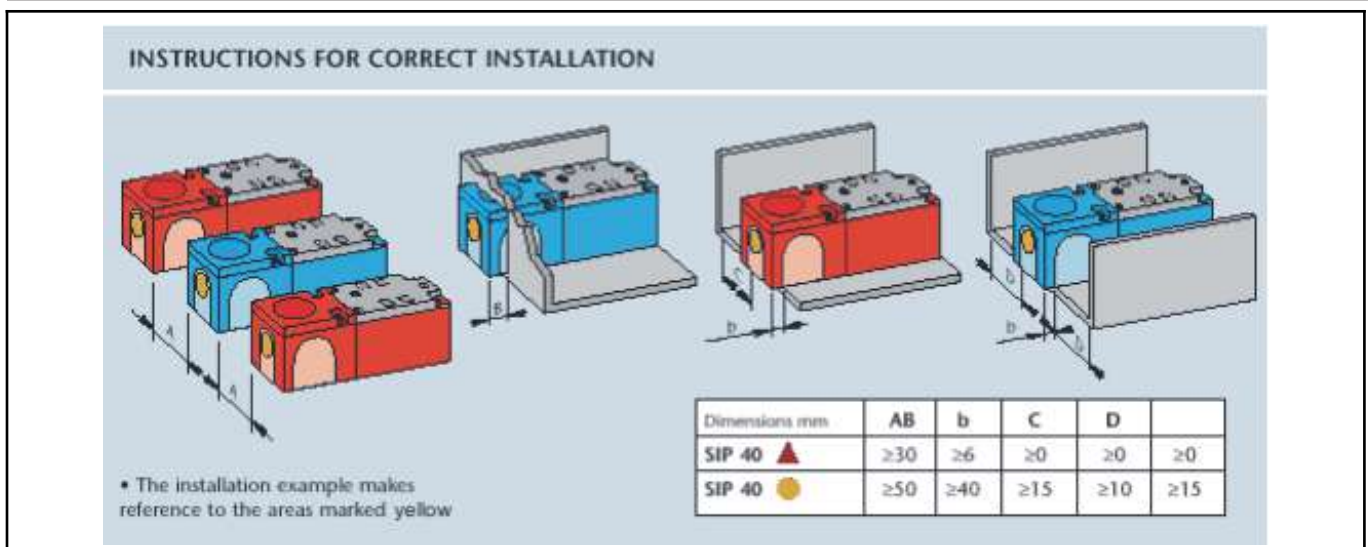
Directives compliance:	2014/30/EU -Electromagnetic compatibility directive (EMC)
Standards compliance:	EN60947-5-2 - Product standard

## 2. NORME DI INSTALLAZIONE

### WIRING DIAGRAM

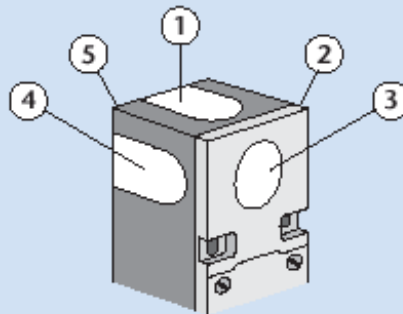


### INSTRUCTIONS FOR CORRECT INSTALLATION



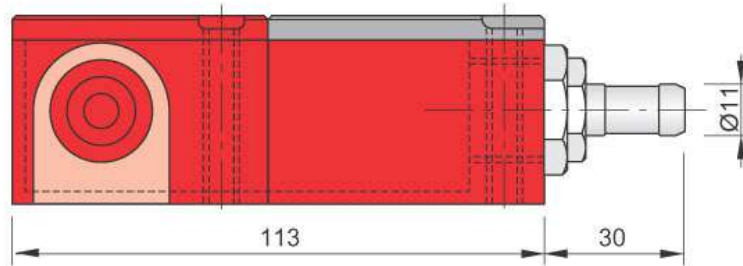
Titolo img 1

**ADJUSTABLE SENSITIVITY SIP 40**



NOTE: In the SIP 40 sensor the oscillator is contained in a module which clips into the body whose surface can then be sensitive on five different positions. The surface chosen can be identified by applying the circular adhesive label.

Part number: **SIP000101** Model: **SIP40-C15 PNP NO+NC LC2**



Version with cable exit - side view (IP67)

Dimension in mm

## 1. TECHNICAL CHARACTERISTICS



### Electrical data

Power supply type:		Direct current
Working voltage:	[V]	10 ÷ 55
Current consumption:	[mA]	< 10 mA @ 24Vdc
Protection class:		III
Reverse polarity protection:		Presente

### Outputs

Electrical design:		PNP
Function:		NO+NC
Max voltage drop:	[V]	< 1.8
Max output current:	[mA]	200
Max switching frequency:	[Hz]	300
Short circuit protection:		Present
Overload protection:		Present

### Detection zone

Switching distance-Sn:	[mm]	15
Real sensing distance-Sr:	[mm]	15 ±10%
Operative distance-So:	[mm]	0 ÷ 12.15

### Accuracy and Deviations

Correction factor:		Stainless steel: 0.9 - Brass: 0.5 - Aluminium: 0.4 - Copper: 0.4
Hysteresis:	[%Sr]	< 10
Switching point drift:	[%Sr]	-10 ÷ +10
Repeatability:	[%Sn]	< 3

### Environmental conditions

Temperature limits:	[°C]	-25 ÷ +70
IP rating:		IP65-IP66-IP67

### Display and control elements

Display:	Output switching status - 1 x LED: Yellow
----------	-------------------------------------------

### Mechanical data

Housing:	Parallelepiped
Dimensions: [mm]	40 x 40 x 114
Materials:	Housing: PC red - Sensing area: PC red
Mounting:	Embeddable
Weight: [g]	280

### Electrical connection

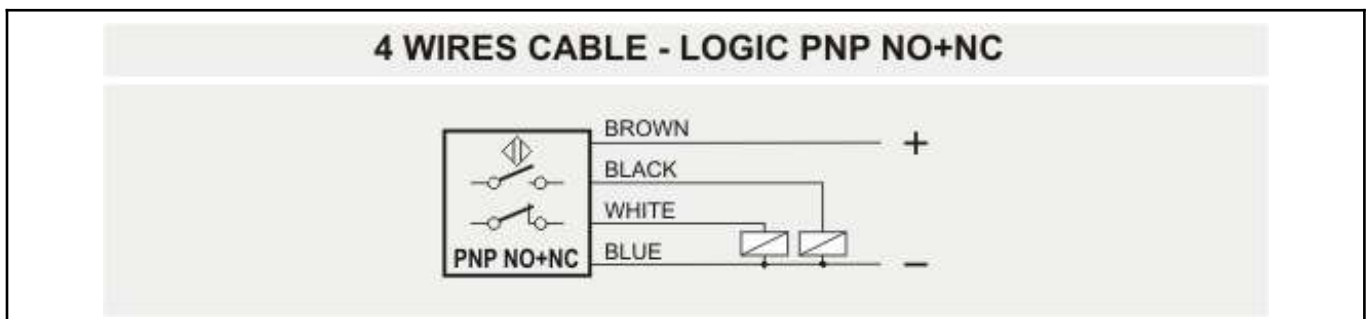
Cable:	2 m - PVC/PVC - 4 x 0.25 mm <sup>2</sup>
--------	------------------------------------------

### Compliance to Standards / Directives

Directives compliance:	2014/30/EU -Electromagnetic compatibility directive (EMC)
Standards compliance:	EN60947-5-2 - Product standard

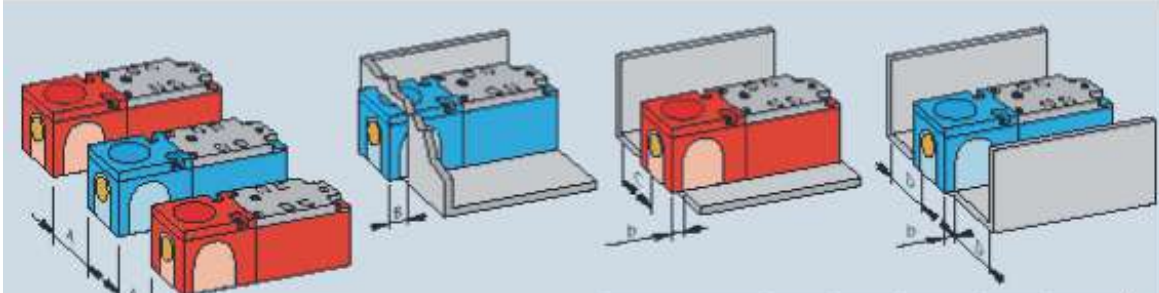
## 2. NORME DI INSTALLAZIONE

### WIRING DIAGRAM



### INSTRUCTIONS FOR CORRECT INSTALLATION

**INSTRUCTIONS FOR CORRECT INSTALLATION**

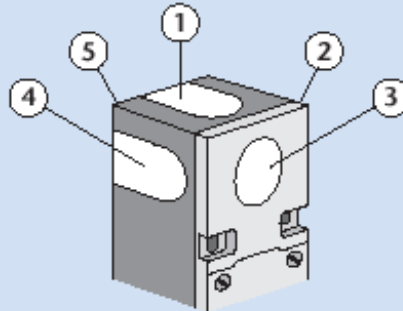


• The installation example makes reference to the areas marked yellow

Dimensions mm	AB	b	C	D	
SIP 40 ▲	≥30	≥6	≥0	≥0	≥0
SIP 40 ●	≥50	≥40	≥15	≥10	≥15

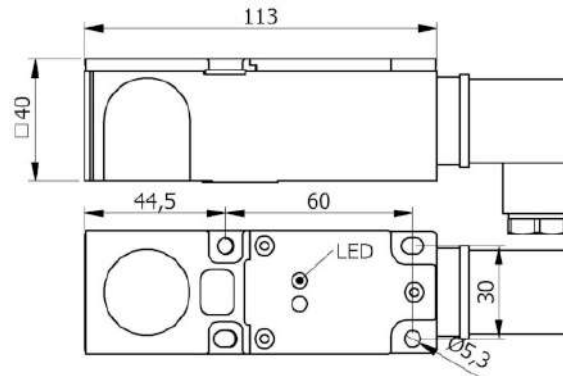
Titolo img 1

**ADJUSTABLE SENSITIVITY SIP 40**



NOTE: In the SIP 40 sensor the oscillator is contained in a module which clips into the body whose surface can then be sensitive on five different positions. The surface chosen can be identified by applying the circular adhesive label.

Part number: **SIP000094** Model: **SIP40-C15 NPN NO+NC K**



SENSITIVITY ADJUSTABLE IN 5 POSITIONS

Dimension in mm

## 1. TECHNICAL CHARACTERISTICS



### Electrical data

Power supply type:		Direct current
Working voltage:	[V]	10 ÷ 55
Current consumption:	[mA]	< 10 mA @ 24Vdc
Protection class:		III
Reverse polarity protection:		Presente

### Outputs

Electrical design:		NPN
Function:		NO+NC
Max voltage drop:	[V]	< 1.8
Max output current:	[mA]	200
Max switching frequency:	[Hz]	300
Short circuit protection:		Present
Overload protection:		Present

### Detection zone

Switching distance-Sn:	[mm]	15
Real sensing distance-Sr:	[mm]	15 ±10%
Operative distance-So:	[mm]	0 ÷ 12.15

### Accuracy and Deviations

Correction factor:		Stainless steel: 0.9 - Brass: 0.5 - Aluminium: 0.4 - Copper: 0.4
Hysteresis:	[%Sr]	< 10
Switching point drift:	[%Sr]	-10 ÷ +10
Repeatability:	[%Sn]	< 3

### Environmental conditions

Temperature limits:	[°C]	-25 ÷ +70
IP rating:		IP65



#### Display and control elements

Display: Output switching status - 1 x LED: Yellow

#### Mechanical data

Housing:	Parallelepiped
Dimensions: [mm]	40 x 40 x 114
Materials:	Housing: PC red - Sensing area: PC red
Mounting:	Embeddable
Weight: [g]	220

#### Electrical connection

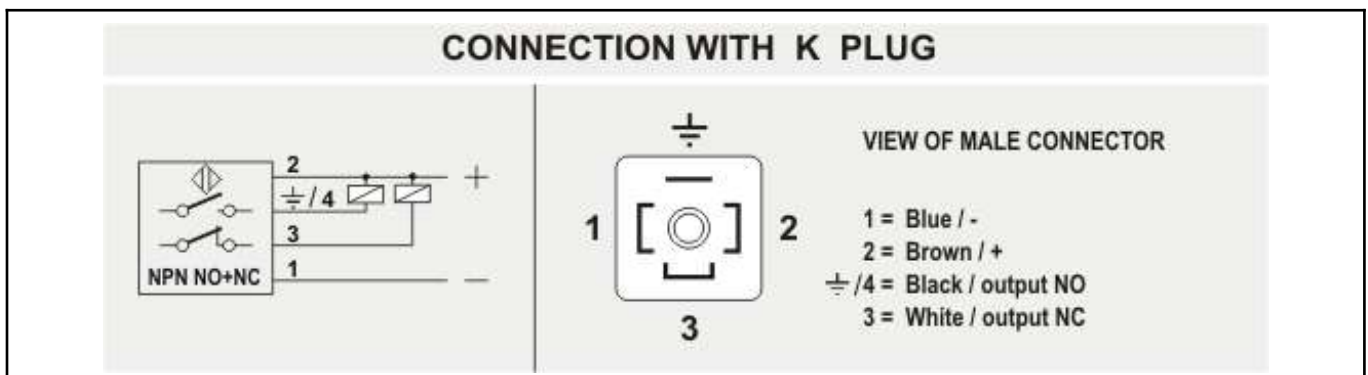
Connector: K Type - 4 poles - EN 17301-803

#### Compliance to Standards / Directives

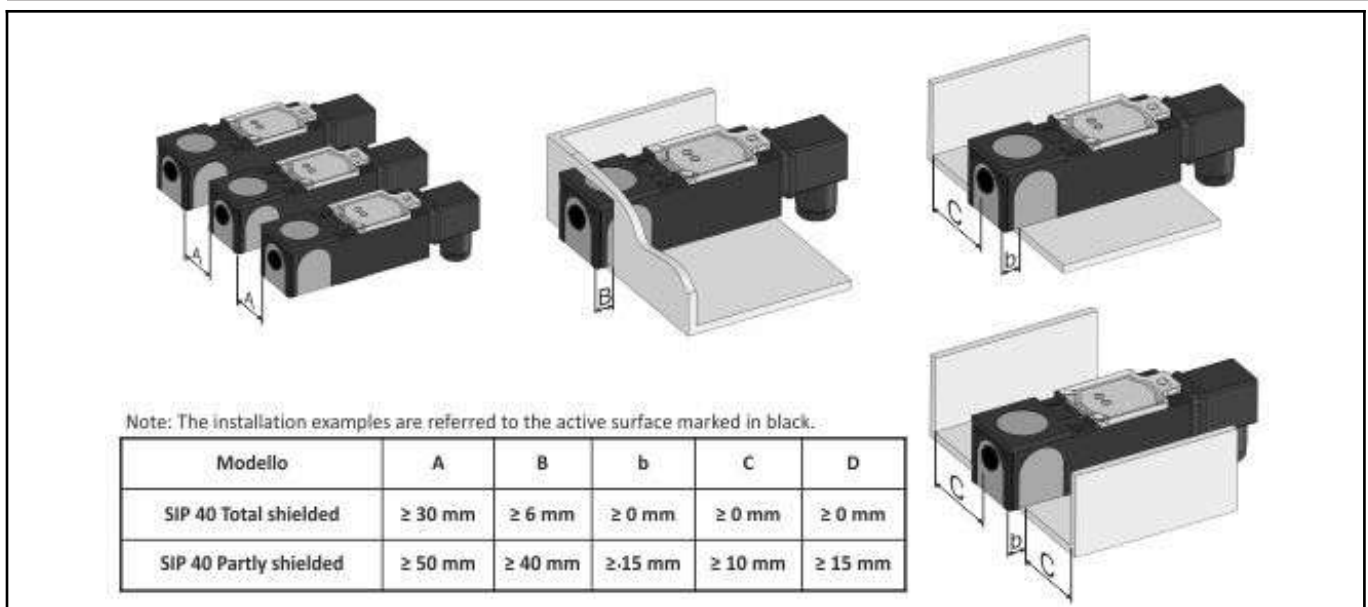
Directives compliance:	2014/30/EU -Electromagnetic compatibility directive (EMC)
Standards compliance:	EN60947-5-2 - Product standard

## 2. NORME DI INSTALLAZIONE

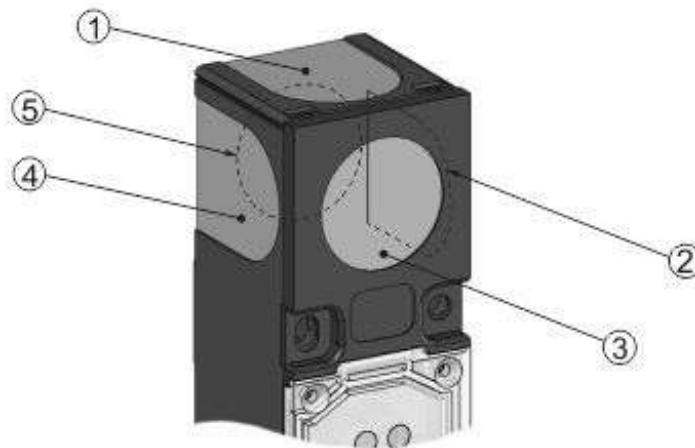
### WIRING DIAGRAM



### INSTRUCTIONS FOR CORRECT INSTALLATION



Titolo img 1



Note: In the SIP40 sensor the oscillator is housed in a module interlocking and the active surface can assume five different positions as needed and can be highlighted externally with a special label supplied with the product.