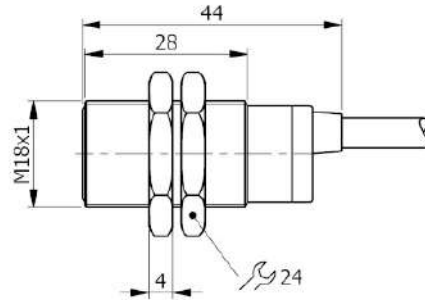


Part number: **I18000339** Model: **SI18-N5 LC10**



Dimension in mm



## 1. TECHNICAL CHARACTERISTICS

### Electrical data

Power supply type:		Direct current
Working voltage:	[V]	5 ÷ 30
Current consumption:	[mA]	On <= 1 mA - Off >= 3 mA @ 8.2V
Protection class:		III
Reverse polarity protection:		Presente

### Outputs

Electrical design:		Namur
Max switching frequency:	[Hz]	1000

### Detection zone

Switching distance-Sn:	[mm]	5
Real sensing distance-Sr:	[mm]	5 ±10%
Operative distance-So:	[mm]	0 ÷ 4.05

### Accuracy and Deviations

Correction factor:		Stainless steel: 0.9 - Brass: 0.5 - Aluminium: 0.4 - Copper: 0.4
Switching point drift:	[%Sr]	-10 ÷ +10
Repeatability:	[%Sn]	< 3

### Environmental conditions

Temperature limits:	[°C]	-25 ÷ +70
IP rating:		IP65-IP66-IP67

### Mechanical data

Housing:		Threded type
Thread designation:		M18x1
Dimensions:	[mm]	M18x1 - L=45
Materials:		Housing: Nickel-plated brass - Sensing area: PC red - Lock nuts: Nickel-plated brass
Mounting:		Embeddable
Weighth:	[g]	300

#### Electrical connection

Cable: 10 m - PVC/PVC - 2 x 0.50 mm<sup>2</sup>

#### Compliance to Standards / Directives

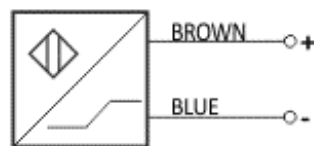
Directives compliance: 2014/30/EU - Electromagnetic compatibility directive (EMC)

Standards compliance: EN60947-5-6 - Product standard

## 2. NORME DI INSTALLAZIONE

#### WIRING DIAGRAM

#### 2 WIRES CABLE



#### INSTRUCTIONS FOR CORRECT INSTALLATION

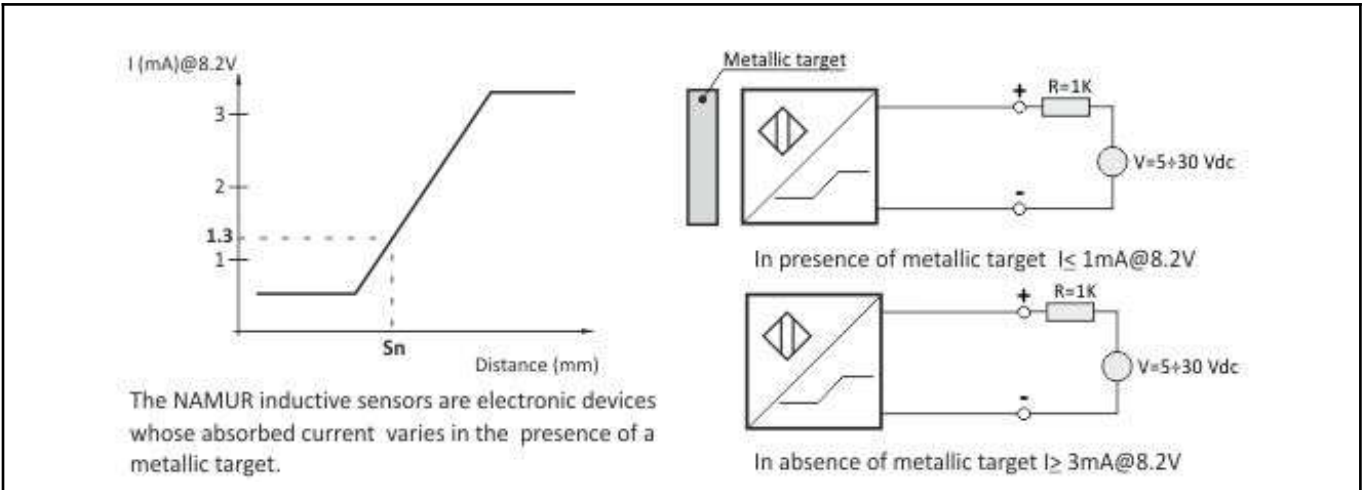


Side by side mounting

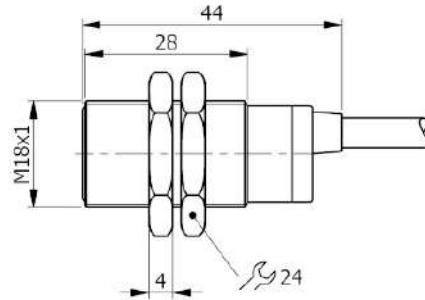


Flush mounting

Titolo img 1



Part number: **I18000336** Model: **SI18-N5 LC5**



Dimension in mm



## 1. TECHNICAL CHARACTERISTICS

### Electrical data

Power supply type:		Direct current
Working voltage:	[V]	5 ÷ 30
Current consumption:	[mA]	On <= 1 mA - Off >= 3 mA @ 8.2V
Protection class:		III
Reverse polarity protection:		Presente

### Outputs

Electrical design:		Namur
Max switching frequency:	[Hz]	1000

### Detection zone

Switching distance-Sn:	[mm]	5
Real sensing distance-Sr:	[mm]	5 ±10%
Operative distance-So:	[mm]	0 ÷ 4.05

### Accuracy and Deviations

Correction factor:		Stainless steel: 0.9 - Brass: 0.5 - Aluminium: 0.4 - Copper: 0.4
Switching point drift:	[%Sr]	-10 ÷ +10
Repeatability:	[%Sn]	< 3

### Environmental conditions

Temperature limits:	[°C]	-25 ÷ +70
IP rating:		IP65-IP66-IP67

### Mechanical data

Housing:		Threded type
Thread designation:		M18x1
Dimensions:	[mm]	M18x1 - L=45
Materials:		Housing: Nickel-plated brass - Sensing area: PC red - Lock nuts: Nickel-plated brass
Mounting:		Embeddable
Weigth:	[g]	180

**Electrical connection**

Cable: 5 m - PVC/PVC - 2 x 0.50 mm<sup>2</sup>

**Compliance to Standards / Directives**

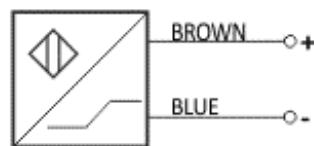
Directives compliance: 2014/30/EU - Electromagnetic compatibility directive (EMC)

Standards compliance: EN60947-5-6 - Product standard

**2. NORME DI INSTALLAZIONE**

**WIRING DIAGRAM**

**2 WIRES CABLE**



**INSTRUCTIONS FOR CORRECT INSTALLATION**

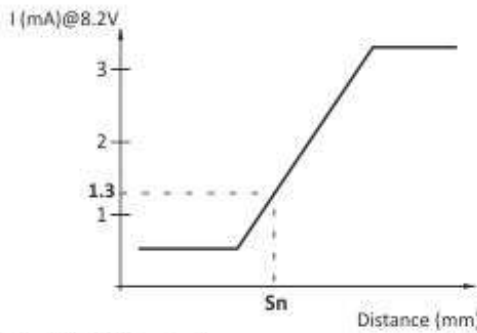


Side by side mounting

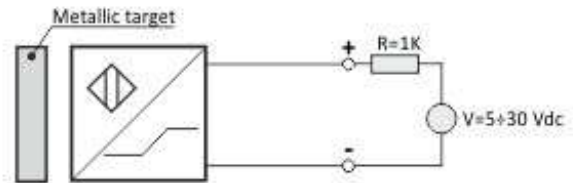


Flush mounting

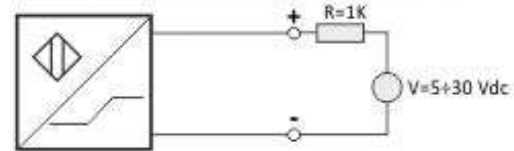
**Titolo img 1**



The NAMUR inductive sensors are electronic devices whose absorbed current varies in the presence of a metallic target.

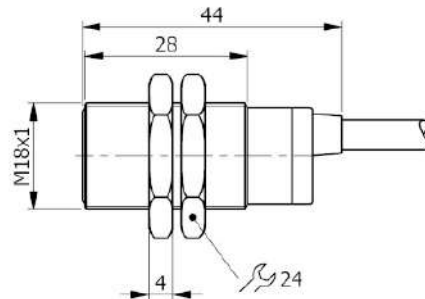


In presence of metallic target  $I < 1\text{mA}@8.2\text{V}$



In absence of metallic target  $I \geq 3\text{mA}@8.2\text{V}$

Part number: **I18000137** Model: **SI18-N5**



Dimension in mm



## 1. TECHNICAL CHARACTERISTICS

### Electrical data

Power supply type:		Direct current
Working voltage:	[V]	5 ÷ 30
Current consumption:	[mA]	On <= 1 mA - Off >= 3 mA @ 8.2V
Protection class:		III
Reverse polarity protection:		Presente

### Outputs

Electrical design:		Namur
Max switching frequency:	[Hz]	1000

### Detection zone

Switching distance-Sn:	[mm]	5
Real sensing distance-Sr:	[mm]	5 ±10%
Operative distance-So:	[mm]	0 ÷ 4.05

### Accuracy and Deviations

Correction factor:		Stainless steel: 0.9 - Brass: 0.5 - Aluminium: 0.4 - Copper: 0.4
Switching point drift:	[%Sr]	-10 ÷ +10
Repeatability:	[%Sn]	< 3

### Environmental conditions

Temperature limits:	[°C]	-25 ÷ +70
IP rating:		IP65-IP66-IP67

### Mechanical data

Housing:		Threded type
Thread designation:		M18x1
Dimensions:	[mm]	M18x1 - L=45
Materials:		Housing: Nickel-plated brass - Sensing area: PC red - Lock nuts: Nickel-plated brass
Mounting:		Embeddable
Weigth:	[g]	115

#### Electrical connection

Cable: 3 m - PVC/PVC - 2 x 0.50 mm<sup>2</sup>

#### Compliance to Standards / Directives

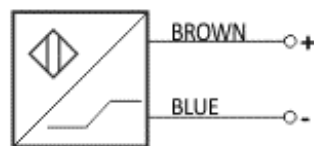
Directives compliance: 2014/30/EU - Electromagnetic compatibility directive (EMC)

Standards compliance: EN60947-5-6 - Product standard

## 2. NORME DI INSTALLAZIONE

#### WIRING DIAGRAM

#### 2 WIRES CABLE



#### INSTRUCTIONS FOR CORRECT INSTALLATION



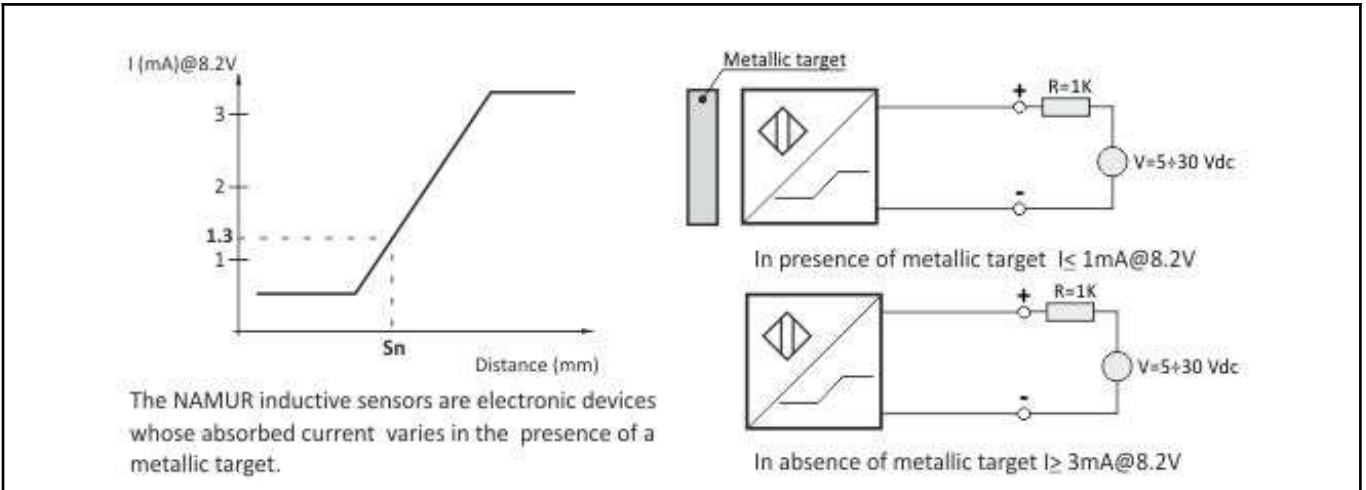
Side by side mounting



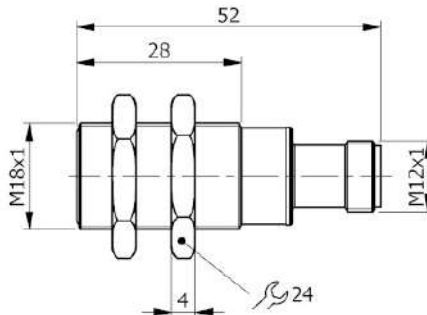
Flush mounting



Titolo img 1



Part number: **I18000138** Model: **SI18-N5 H**



Dimension in mm



## 1. TECHNICAL CHARACTERISTICS

### Electrical data

Power supply type:		Direct current
Working voltage:	[V]	5 ÷ 30
Current consumption:	[mA]	On <= 1 mA - Off >= 3 mA @ 8.2V
Protection class:		III
Reverse polarity protection:		Presente

### Outputs

Electrical design:		Namur
Max switching frequency:	[Hz]	1000

### Detection zone

Switching distance-Sn:	[mm]	5
Real sensing distance-Sr:	[mm]	5 ±10%
Operative distance-So:	[mm]	0 ÷ 4.05

### Accuracy and Deviations

Correction factor:		Stainless steel: 0.9 - Brass: 0.5 - Aluminium: 0.4 - Copper: 0.4
Switching point drift:	[%Sr]	-10 ÷ +10
Repeatability:	[%Sn]	< 3

### Environmental conditions

Temperature limits:	[°C]	-25 ÷ +70
IP rating:		IP65-IP66-IP67 (depending on connector )

### Mechanical data

Housing:		Threded type
Thread designation:		M18x1
Dimensions:	[mm]	M18x1 - L=51
Materials:		Housing: Nickel-plated brass - Sensing area: PC red - Lock nuts: Nickel-plated brass
Mounting:		Embeddable
Weigth:	[g]	55

**Electrical connection**

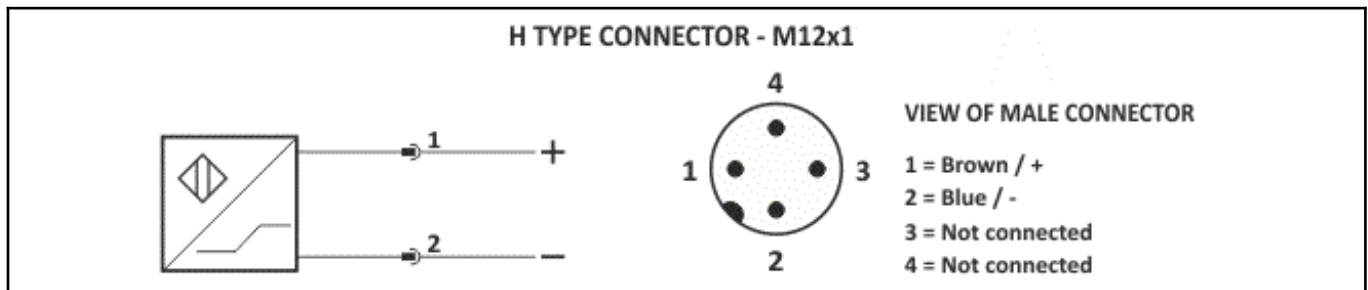
Connector:	H type - M12X1 - Gold plated contacts
------------	---------------------------------------

**Compliance to Standards / Directives**

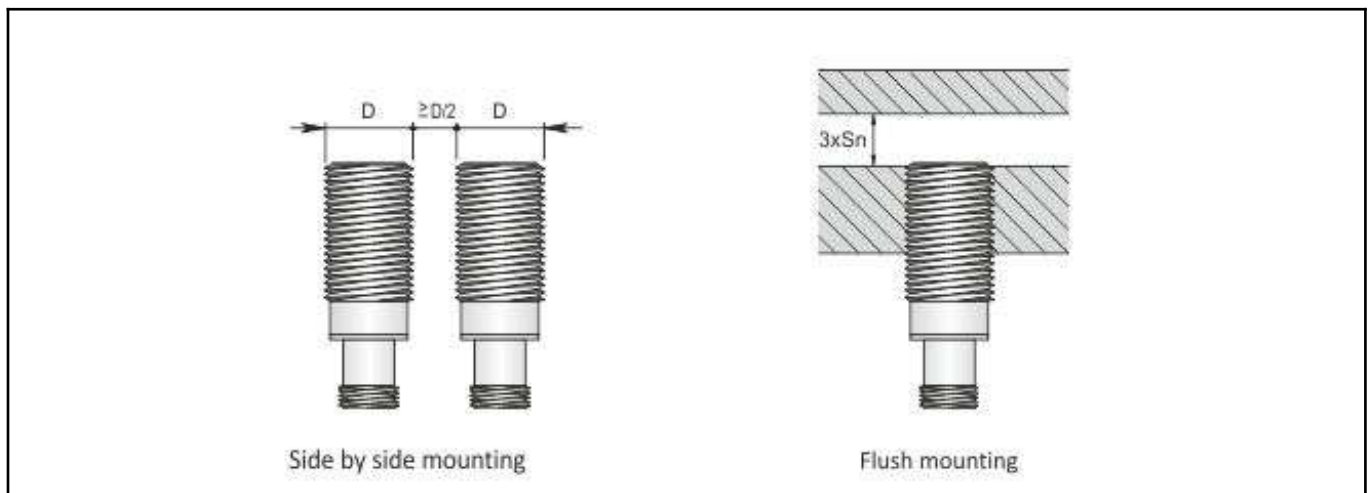
Directives compliance:	2014/30/EU -Electromagnetic compatibility directive (EMC)
Standards compliance:	EN60947-5-6 - Product standard

**2. NORME DI INSTALLAZIONE**

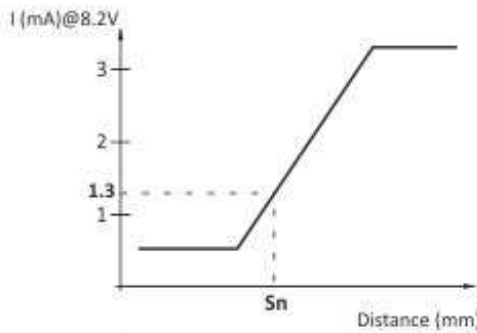
**WIRING DIAGRAM**



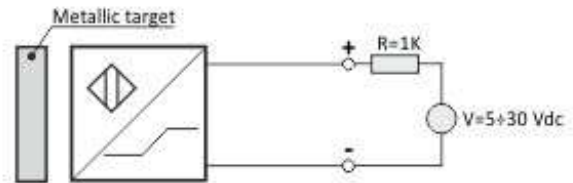
**INSTRUCTIONS FOR CORRECT INSTALLATION**



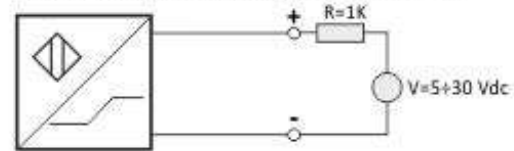
### Titolo img 1



The NAMUR inductive sensors are electronic devices whose absorbed current varies in the presence of a metallic target.



In presence of metallic target  $I \leq 1\text{mA}@8.2\text{V}$



In absence of metallic target  $I \geq 3\text{mA}@8.2\text{V}$