

MAC Pulse Valve PV06 Series



PV06 Series

The MAC Pulse Valve series is designed to be a direct drop-in replacement for existing pulse technology. The MAC solution utilizes a long life, bonded-spool design, instead of the traditional diaphragm style. MAC also uses a balanced pilot valve that isolates the solenoid from airline contamination. Available with integral solenoid pilot as well as bleed pilot configurations.

Direct Drop-in

The MAC Pulse Valve is available with various adapter options. These adapter options allow the MAC valve to directly replace the diaphragm technology with our bonded spool technology without disturbing plumbing. The MAC bleed configuration works with existing remotely located solenoids.

Harsh Environment Compatible

An aluminum die-cast body, Viton® seals and an environmentally protected solenoid are standard features. These materials allow for a wide standard temperature rating and high degree of chemical resistance.

Maintenance

Lower cost of ownership through reduction in downtime due to high reliability. When necessary, maintenance is simplified with available spool kits.

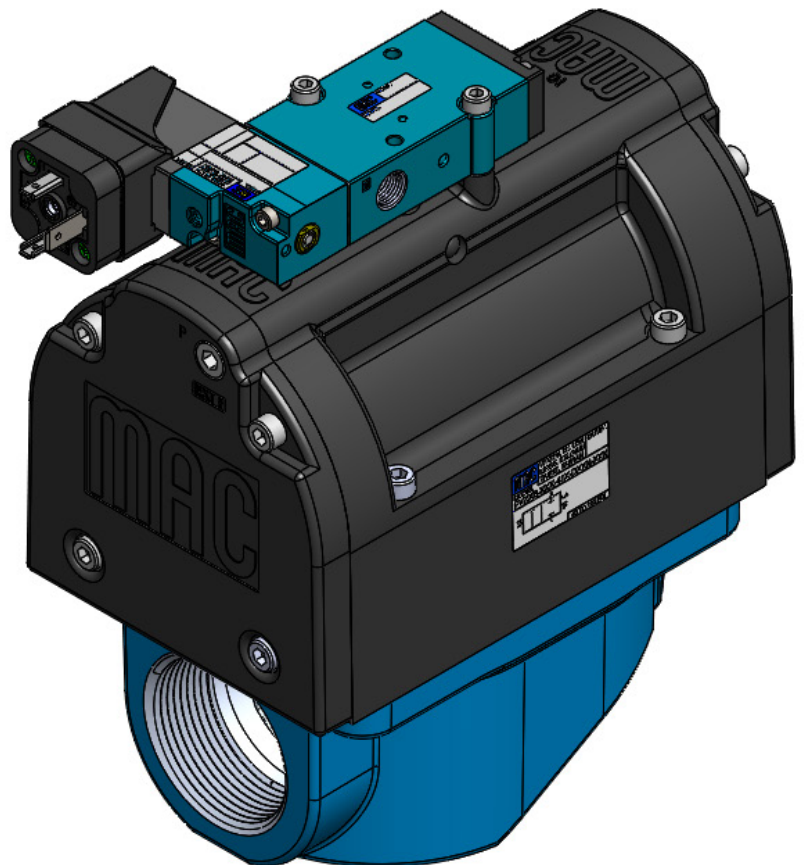
Repair Kits

Kit

Viton® K-PV002-05

Product Characteristics and Performance

| Flow | Temp. Range Nitrile | Temp Range Viton | Pressure Range |
|---------|-----------------------------|--------------------------------|---------------------------------|
| 53.2 Cv | 0°F - 140°F -18°C - 60°C | -20°F - 230°F -29°C - 110°C | 30 - 120 PSI 2.07 - 8.27 bar |



MAC Pulse Valve PV06 Series



Integral Pilot **PV06B - XXX - 41P - DXXX - XXX = XXXX**

Remote Bleed **PV06B - XXX - 41P - RBXX = XXXX**

Modifications (see below)

| Spool Type | Base Port Size & Thread Type | Int / Ext Pilot | Pilot Type | Remote Bleed |
|--|------------------------------|----------------------------|--------------|------------------|
| 0 Base Only | 0 Basic Valve No Base | 0 Base Only | Integral | 11 NPTF threads |
| A N.C. Main W/Memory Spring Viton® Seals Thru-out | A 1 1/2" NPTF MAC Base | A Internal Pilot | P Piped Exh. | 14 BSPPL threads |
| | C 1 1/2" BSPPL MAC Base | B Ext. Pilot NPTF threads | | 15 BSPTR threads |
| | E 1 1/2" BSPTR MAC Base | C Ext. Pilot BSPPL threads | | |
| | | D Ext. Pilot BSPTR threads | | |
| | | E Int. Pilot BSPPL threads | | |
| | | F Int. Pilot BSPTR threads | | |

Solenoid Valve Options

- DXXX - XXX

| Voltage | Lead Wire Length | Manual Operator | Electrical Connector |
|---------------------------|----------------------------|-----------------|-----------------------------------|
| JA 120/60, 110/50 | A 18" | 1 Non Locking | BA Grommet |
| JB 240/60, 220/50 | B 24" | | BK Grommet w/Diode |
| JD 100/60, 100/50, 110/60 | C 36" | | CM Metal Conduit 1/2" |
| DA 24VDC (5.4W) | D 48" | | CN Metal Conduit w/Ground 1/2" |
| EW 24VDC (8.0W) | E 72" | | JA Square Plug-in |
| DB 12VDC (5.4W) | F 96" | | JB Rectangular Plug-in |
| DC 12VDC (7.5W) | J External Plug-In Lead | | JC Square Plug-in w/Light |
| | | | JD Rectangular Plug-in w/Light |
| | | | JJ Square Male Only |
| | | | JM Rectangular Male Only |
| | | | KA Mini Plug-in |
| | | | KB Mini Plug-in w/Diode |
| | | | KD Mini Plug-in w/Light |
| | | | KE Mini Plug-in w/Light & Diode |
| | | | KC Mini Plug-in w/LED & Diode |
| | | | KJ Mini Plug-in Male Only |
| | | | KK Mini Plug-in Male Only w/Diode |

Pilot Only Options - Bodies and Assemblies

Note: Revisions A and B are currently available and identified by 4th character in PN. **Be sure to order the same revision you are replacing**

41HA-00A-HX-DXXV-YZZ=XXXX (solenoid operated pilot valve)
See options above and modifications below

41HB-00A-HX-DXXV-YZZ=XXXX (solenoid operated pilot valve)
See options above and modifications below

41HA-00A-H0-RBXX=XXXX (bleed pilot valve)
See options above and modifications below

41HB-00A-H0-RBXX=XXXX (bleed pilot valve)
See options above and modifications below

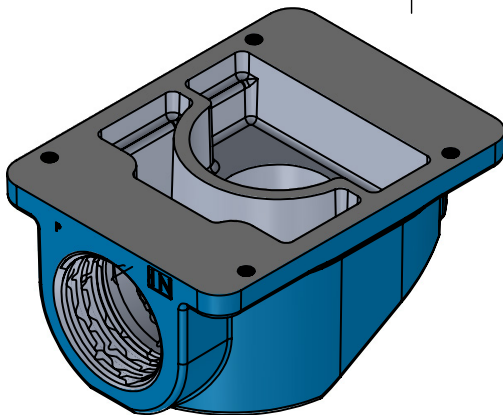
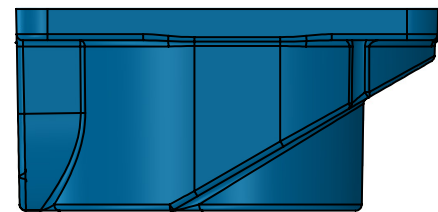
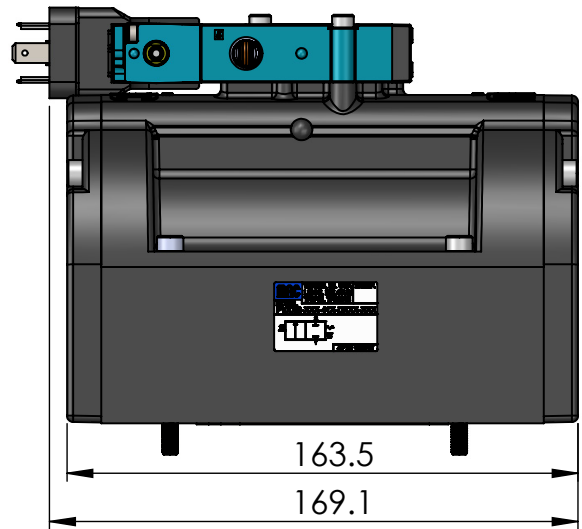
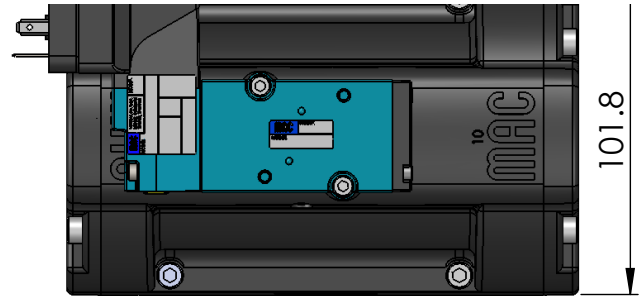
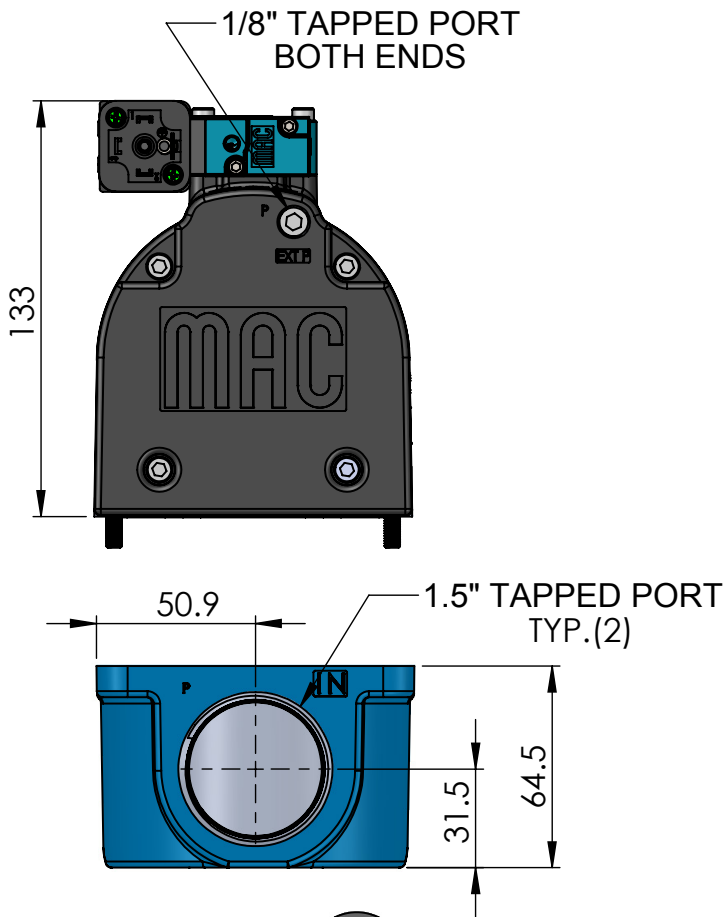
Modifications - One Selection Required

PVVT Viton Seals, NPTF threads on pilot
EVVT Viton Seals, BSPPL threads on pilot
PVTR Viton Seals, BSPTR threads on pilot

Spool Kit

K-PV002-05 Viton (includes seals and spring)

MAC Pulse Valve PV06 Series



MAC 1.5" BASE

