

Economic, compact, meets demands: Quality for standard processes

Pressure sensor P41

Temperature compensated transmitter for hygienic pressure monitoring of various applications in breweries, dairies and the beverage industry

Benefits with P41 in Process control

Now you can also rely on the well-known Anderson-Negele quality for applications with standard process requirements. The P41 measures process pressures - combining speed, precision, and economy.

- **Compact stainless-steel design** with direct output
- Precise measurements even up to 40 bar, overpressure resistance up to 100 bar
- Slim and yet a very **robust and durable** design
- **Absolute or relative** measurement
- Relative measurement **with or without vacuum** (compound)
- **Individual customization** of the measuring accuracy for any specific process



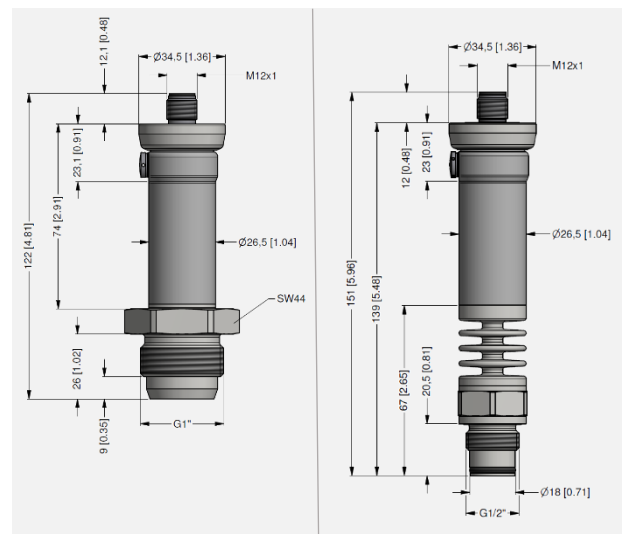
Benefits with P41 in Level control

With their comprehensive product range, the Anderson-Negele sensors cover all requirements for high-precision level measuring in various applications. The P41 completes the diversity of applications and guarantees a fast, precise and economic function in applications with standard requirements.

- Precise measurements due to the **fine adjustable pressure range**
- Optional compound measurement: **Very precise relative pressure measurement with vacuum**

Other Anderson-Negele sensors for level measurement:

- **L3 pressure and level transmitter** with display, graphical user interface GUI, temperature compensation as well as integrated tank linearization and density compensation
- **D3 differential pressure and level sensor** with simultaneous output of differential and head pressure, for pressurized tanks
- **LAR hydrostatic level sensor** with hermetically sealed measure cell: no influence by condensation, ideal for humid areas
- **NSL potentiometric continuous level measurement**, also in case of foaming and adhesive or pasty media
- **NCS (capacitive)** for top or bottom installation, reliable switching even with strong adhesive media



Technical specifications at a glance

- Process temperature range up to 125°C (257°F), CIP / SIP up to 150 °C / max. 60 min.
- With optional cooling section temperature range up to 250 °C (482 °F)
- Compact design without display, sensor completely made of stainless steel
- Process connection: hygienic thread G1" (CLEANadapt), thread G1/2" and G1", Tri-Clamp 1", 1,5" and 2", Varivent DN25 and DN40/50
- Vacuum resistant

Order Code

P41 Pressure sensor

Measuring range of pressure cell

- 1** 0.2 bar (3 psi)
- 2** 0.4 bar (6 psi)
- 3** 1.0 bar (15 psi)
- 4** 2.0 bar (30 psi)
- 5** 4.0 bar (60 psi)
- 6** 7.0 bar (100 psi)
- 7** 10 bar (145 psi)
- 8** 20 bar (290 psi)
- 9** 40 bar (580 psi)

Pressure measurement

- A** Absolute (absolute measurement, min. 0,4 bar / 6 psi)
- G** Gauge (relative measurement without vacuum)
- C** Compound (relative measurement including vacuum)

Process connection (Ⓐ: 3-A compliant)

- 195** G1/2" DIN 3852 (front flush with O-ring)
- 201** G1" DIN 3852 (front flush with O-ring)
- 182** CLEANadapt G1" hygienic
- 003** Tri-Clamp 1" / 1½" Ⓐ
- 005** Tri-Clamp 2" Ⓐ
- V25** Varivent Typ F, DN25 (adaption by means of CLEANadapt)
- V40** Varivent Typ N, DN40/50 Ⓐ

Sealing material (only selectable for process connections 195 and 201)

- X** No seal
- A** EPDM (< 125 °C (257 °F))
- B** FKM (< 200 °C (392 °F))
- C** FFKM (> 200 °C (392 °F))

Capillary fill

- 6** FDA approved oil

Sensor Version Process Temperature

- X** Standard temperature (max. 125 °C (257 °F))
- H** High temperature version (max. 250 °C (482 °F))

Physical unit

- B** bar
- P** psi

Upper range limit

- 0,0** Unlimited measuring range of pressure cell
- [x,x]** Factory setting as per customer requirement

Material certificate

- X** No certificate
- Z** 3.1 Material certificate

Configuration

- 0** Fixed value

P41 1 A 182 X 6 X B 0,2 X 0