

MINITIMER Timer, Off-delay MK 7863

Translation
of the original instructions



0226795



Your Advantages

- Simple control with operating voltage
- Energy saving, i.e. no consumption after disconnection of control voltage

Features

- Power OFF-delay relay according to EN 61812-1
- No-voltage safe
- Delay up to 300 s
- Repeat accuracy $< \pm 3 \%$
- 1 changeover contact
- Width 22.5 mm

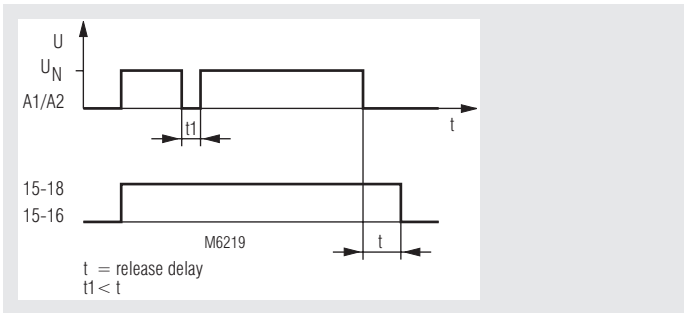
Product Description

True Off-delay timer. Connecting the operating voltage will energise the relay, contact 15-18 closes. Removing the operating voltage starts the time delay. After elapse of time, the relay de-energizes to 15-16.

Approvals and Markings



Function Diagramm



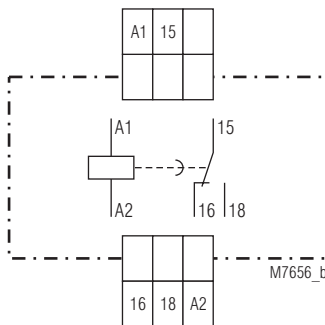
Application

Time dependent controls

Indicator

LED: On, when operating voltage applied

Circuit Diagram



Connection Terminals

Terminal designation	Signal description
A1	L/+
A2	N/-
15, 16, 18	Changeover contact

Technical Data

Time circuit

Time ranges:	0.05 ... 1 s	0.15 ... 3 s
	0.5 ... 10 s	1.5 ... 30 s
	5 ... 100 s	15 ... 300 s
Time setting:	Steppless on absolute scale	
Recovery time:	10 ms	
Repeat accuracy:	< ± 3 %	
Min. setting time:	100 ms	
Voltage influence:	< ± 3 %	
Temperature influence:	< 0.2 % / K	

Input

Nominal voltage U_N (operating voltage):	AC 230 V (other voltages see BC 7938N, MK 7873N)
Voltage range:	0.8 ... 1.1 U_N
Nominal consumption:	9 VA
Nominal frequency:	50 / 60 Hz

Output

Contacts:	1 changeover contact, delayed	
Contact material:	AgSnO ₂	
Measured nominal voltage:	AC 250 V	
Thermal current I_{th}:	5 A	
Switching capacity		
To AC 15		
NO contact:	3 A / AC 230 V	IEC/EN 60947-5-1
NC contact:	1 A / AC 230 V	IEC/EN 60947-5-1
Electrical life	IEC/EN 60947-5-1	
To AC 15 at 3 A, AC 230 V:	5 x 10 ⁵ switching cycles	
Permissible switching frequency:	3000 switching cycles / h	
Short circuit strength		
Max. fuse rating:	4 A gG / gL	IEC/EN 60947-5-1
Mechanical life:	50 x 10 ⁶ switching cycles	

General Data

Operating mode:	Continuous operation	
Temperature range:		
Operation:	- 20 ... + 60 °C	
Storage:	- 25 ... + 75 °C	
Altitude:	≤ 2000 m	
Relative air humidity:	95 % at 40 °C	
Clearance and creepage distances		
Rated impulse voltage / pollution degree:	4 kV / 3 (basis insulation) IEC 60664-1	
Overvoltage category:	III	
Insulation test voltage, type test:	2.5 kV; 1 min	
EMC		
Electrostatic discharge:	8 kV (air)	IEC/EN 61000-4-2
HF irradiation		
80 MHz ... 1 GHz:	12 V / m	IEC/EN 61000-4-3
1 GHz ... 2.7 GHz:	10 V / m	IEC/EN 61000-4-3
Fast transients:	2 kV	IEC/EN 61000-4-4
Surge voltages		
Between		
wires for power supply:	1 kV	IEC/EN 61000-4-5
Between wire and ground:	2 kV	IEC/EN 61000-4-5
HF-wire guided:	10 V	IEC/EN 61000-4-6
Interference suppression:	Limit value class B	EN 55011
Degree of protection		
Housing:	IP 40	IEC/EN 60529
Terminals:	IP 20	IEC/EN 60529
Housing:	Thermoplast with V0 behaviour according to UL Subj. 94	

Technical Data

Vibration resistance:	Amplitude 0.35 mm frequency 10 ... 55 Hz IEC/EN 60068-2-6
Climate resistance:	20 / 060 / 04 IEC/EN 60068-1
Terminal designation:	EN 50005
Wire connection:	2 x 1.5 mm ² solid or 2 x 1.0 mm ² stranded wire with sleeve DIN 46288-1/-2/-3/-4
Insulation of wires or sleeve length:	8 mm
Wire fixing:	Flat terminals with self-lifting clamping piece IEC/EN 60999-1
Fixing torque:	0.4 Nm
Mounting:	DIN-rail IEC/EN 60715
Weight:	270 g

Dimensions

Width x height x depth:	22.5 x 82 x 99 mm
--------------------------------	-------------------

Standard Type

MK 7863.81	AC 230 V	50/60 Hz	1.5 ... 30 s
Article number:	0024446		
• Output:	1 changeover contact, delayed		
• Nominal voltage U_N :	AC 230 V		
• Time range:	1.5 ... 30 s		
• Width:	22.5 mm		

Ordering Example

MK 7863	.81	AC 230 V	50 / 60 Hz	15 ... 300 s	
					Time range
					Nominal frequency
					Nominal voltage
					Contacts
					Type

Accessories

ET 4752-143:	Marking plate Article number: 0043203
--------------	--