

# Three-phase asynchronous motor

**Properties:** Connection: 400 V / 50 Hz three-phase system  
 Optional designs for other mains voltages / frequencies  
 Optional design for a frequency converter with 3 x 230 V  
 Standard connection using K22 type plug-in connectors

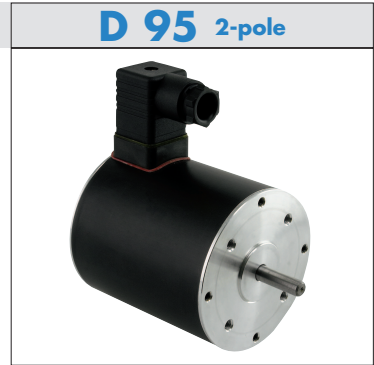
Service life: 20,000 hours, S1 duty

Insulation mat. class: F

System of protection: IP 44, optional up to IP 65

Special model: Design for short-time duty with high performance

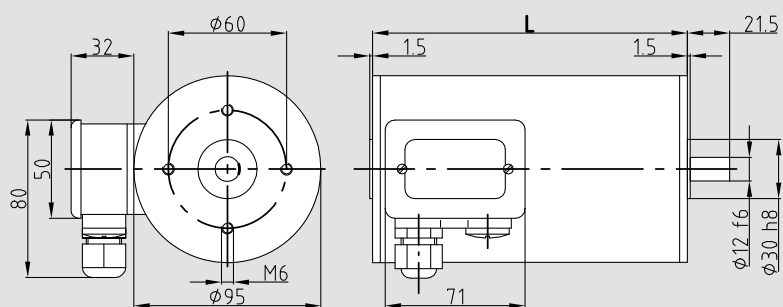
Options: Thermal protection, special shafts, special flanges, custom designed, stainless steel



Type	Name	U	AC voltage	D 9562	D 9582		
	Nominal voltages			400	400		
<b>Specification</b>	Nominal power	P <sub>2</sub>	W	132	226		
	Nominal speed	n <sub>nom</sub>	rpm	2700	2700		
	Nominal torque	T <sub>nom</sub>	Ncm	47	80		
	Starting torque	T <sub>A</sub>	Ncm	153	270		
	Nominal current	I <sub>nom</sub>	mA	400	550		
	No-load current	I <sub>0</sub>	mA	270	375		
<b>Characteristics</b>	Locked rotor speed	n <sub>break</sub>	rpm	-	-		
	Locked rotor torque	T <sub>break</sub>	Ncm	-	-		
	Nominal efficiency	η		0.67	0.72		
<b>Connection</b>	Terminal resistance	R	Ohm	107	62		
	Input power	P <sub>1</sub>	W	255	321		
<b>Dynamics</b>	Weight	m	kg	3.7	4.5		
	Moment of inertia	J	gcm <sup>2</sup>	1532	1964		
<b>Thermal</b>	Adm. ambient temperature	T <sub>a</sub>	°C	-20 to +40	-20 to +40		
	Max. adm. stator temperature	T <sub>max</sub>	°C	+120	+120		
<b>Coupling</b>	Shaft diameter	d	mm	12	12		
	Max. axial force	F <sub>a</sub>	N	65	65		
	Max. radial force	F <sub>r</sub>	N	700	700		

## Dimensions

Type	L / mm
D 9562	140
D 9582	160



## System technology

<b>Recommended combination</b> other gears and extensions upon request	Worm gear	S 769	
	Spur gear	M 10	
	Planetary gear	PM 80	
	Rotary encoder	RV 30	RI 30
	Brake	B 3	

# Three-phase asynchronous motor



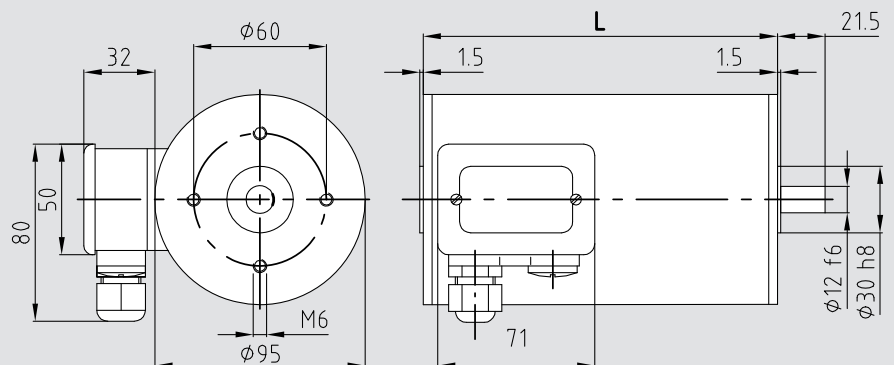
**Properties:**

Connection:	400 V / 50 Hz three-phase system Optional designs for other mains voltages / frequencies Optional design for a frequency converter with 3 x 230 V Standard connection using K22 type plug-in connectors
Service life:	20,000 hours, S1 duty
Insulation mat. class:	F
System of protection:	IP 44, optional up to IP 65
Special model:	Design for short-time duty with high performance
Options:	Thermal protection, special shafts, special flanges, custom designed, stainless steel

Type	Name			D 9564	D 9584
	Nominal voltages	U	AC voltage	400	400
<b>Specification</b>	Nominal power	P <sub>2</sub>	W	71	101
	Nominal speed	n <sub>nom</sub>	rpm	1250	1250
	Nominal torque	T <sub>nom</sub>	Ncm	54	77
	Starting torque	T <sub>A</sub>	Ncm	128	200
	Nominal current	I <sub>nom</sub>	mA	280	390
	No-load current	I <sub>0</sub>	mA	236	322
<b>Characteristics</b>	Locked rotor speed	n <sub>break</sub>	rpm	-	-
	Locked rotor torque	T <sub>break</sub>	Ncm	-	-
	Nominal efficiency	η		0.59	0.62
<b>Connection</b>	Terminal resistance	R	Ohm	231	141
	Input power	P <sub>1</sub>	W	131	138
<b>Dynamics</b>	Weight	m	kg	3.7	4.5
	Moment of inertia	J	gcm <sup>2</sup>	2468	3164
<b>Thermal</b>	Adm. ambient temperature	T <sub>a</sub>	°C	-20 to +40	-20 to +40
	Max. adm. stator temperature	T <sub>max</sub>	°C	+120	+120
<b>Coupling</b>	Shaft diameter	d	mm	12	12
	Max. axial force	F <sub>a</sub>	N	65	65
	Max. radial force	F <sub>r</sub>	N	700	700

## Dimensions

Type	L / mm
D 9564	140
D 9584	160



## System technology

### Recommended combinations

other gears and extensions upon request

Worm gear	S 769
Spur gear	M 10
Planetary gear	PM 80
Rotary encoder	RV 30 RI 30
Brake	B 3