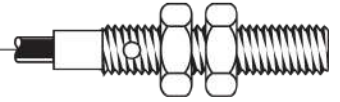


Part number: APL000046 - Model: ALTP 110/220 Vac



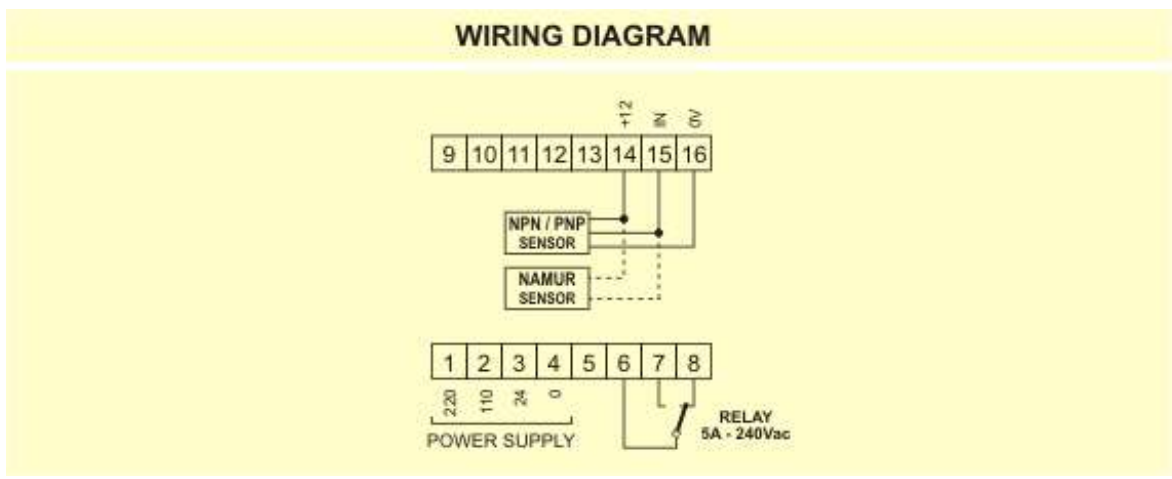
TECHNICAL CHARACTERISTICS

Power supply:	Alternating current
Working voltage:	110/220 Vac
Output voltage:	12 Vdc
Output type:	Changeover relay
N° of sensors to be connected:	1
Absorption:	3 VA
Max. supply current:	50 mA
Max. output current:	5 A @ 240 V
Led indicator:	Red=output / Green=power supply
Temperature limits:	-20 ÷ +60 °C
IP rating:	IP20
Time range:	0.03 ÷ 512 sec.
Housing material:	Plastic
Weight:	140 g
Mounting:	35 mm DIN rail



Part number: APL000046 - Model: ALTP 110/220 Vac

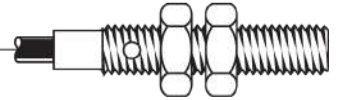
WIRING DIAGRAM



INSTRUCTIONS FOR CORRECT INSTALLATION

TABLE A	
SWITCH POSITION	RANGE OF DELAY (In seconds)
1	25,6 - 512
2	6,4 - 128
3	1,6 - 32
4	0,8 - 16
5	0,4 - 8
6	0,2 - 4
7	0,1 - 2
8	0,05 - 1
9	0,03 - 0,5

TABLE B					
RELAY	FUNCTION		DIP 10	DIP 11	DIP 12
OFF	PNP	TE	OFF	OFF	ON
	PNP	TD	ON	OFF	OFF
	NPN	TE	ON	ON	ON
	NPN	TD	OFF	ON	OFF
	NAMUR	TE	ON	OFF	ON
	NAMUR	TD	OFF	OFF	OFF
ON	PNP	TE	OFF	OFF	OFF
	PNP	TD	ON	OFF	ON
	NPN	TE	OFF	ON	ON
	NPN	TD	ON	ON	OFF
	NAMUR	TE	OFF	OFF	ON
	NAMUR	TD	ON	OFF	OFF

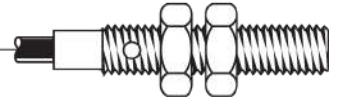


Part number: APL000045 - Model: ALTP 24 Vac/dc



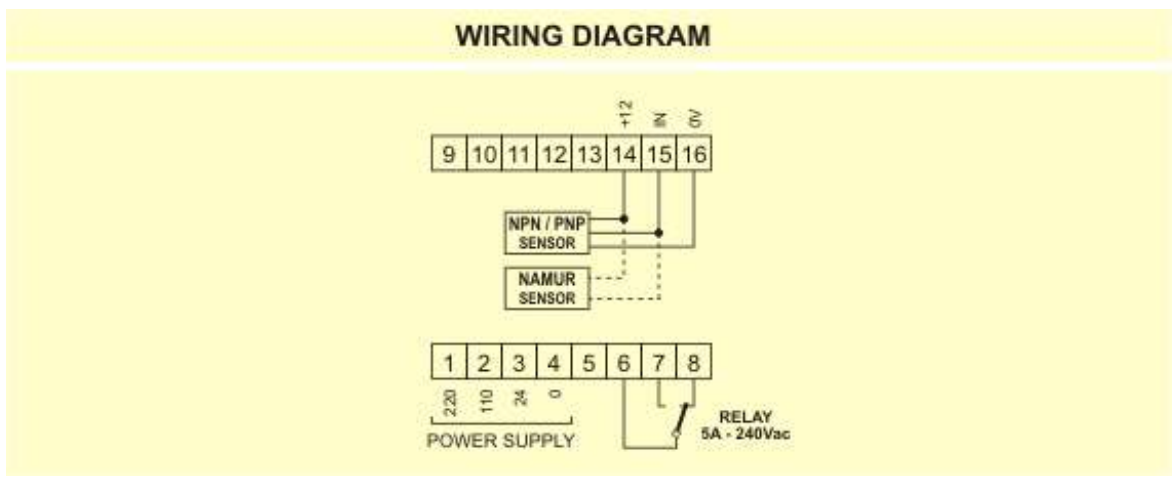
TECHNICAL CHARACTERISTICS

Power supply:	Multivoltage
Working voltage:	24 Vac/dc
Output voltage:	12 Vdc
Output type:	Changeover relay
N° of sensors to be connected:	1
Absorption:	2 VA
Max. supply current:	50 mA
Max. output current:	5 A @ 240 V
Led indicator:	Red=output / Green=power supply
Temperature limits:	-20 ÷ +60 °C
IP rating:	IP20
Time range:	0.03 ÷ 512 sec.
Housing material:	Plastic
Weight:	140 g
Mounting:	35 mm DIN rail



Part number: APL000045 - Model: ALTP 24 Vac/dc

WIRING DIAGRAM



INSTRUCTIONS FOR CORRECT INSTALLATION

TABLE A	
SWITCH POSITION	RANGE OF DELAY (In seconds)
1	25,6 - 512
2	6,4 - 128
3	1,6 - 32
4	0,8 - 16
5	0,4 - 8
6	0,2 - 4
7	0,1 - 2
8	0,05 - 1
9	0,03 - 0,5

TABLE B					
RELAY	FUNCTION		DIP 10	DIP 11	DIP 12
OFF	PNP	TE	OFF	OFF	ON
	PNP	TD	ON	OFF	OFF
	NPN	TE	ON	ON	ON
	NPN	TD	OFF	ON	OFF
	NAMUR	TE	ON	OFF	ON
	NAMUR	TD	OFF	OFF	OFF
ON	PNP	TE	OFF	OFF	OFF
	PNP	TD	ON	OFF	ON
	NPN	TE	OFF	ON	ON
	NPN	TD	ON	ON	OFF
	NAMUR	TE	OFF	OFF	ON
	NAMUR	TD	ON	OFF	OFF