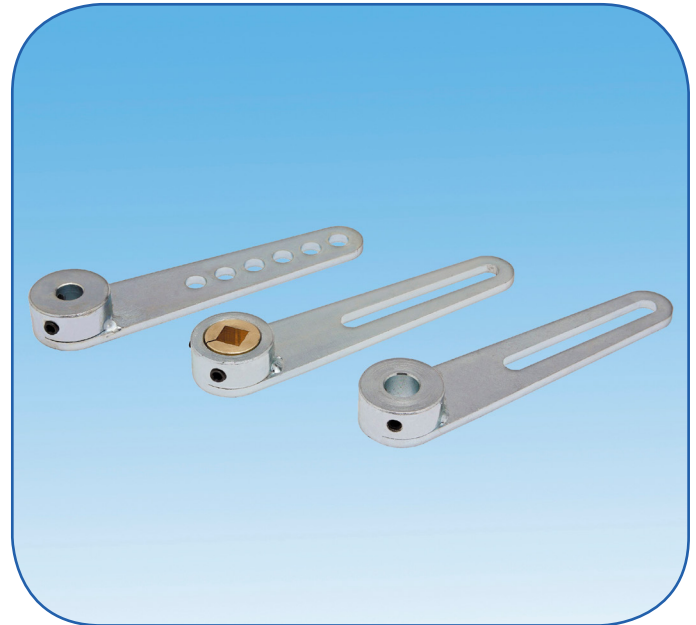


Accessories for gear motors

Econex offers a wide range of accessories, like levers, ball joints, axel joints and riveted bars, to make a mechanical link system between a valve or a damper and an actuator.

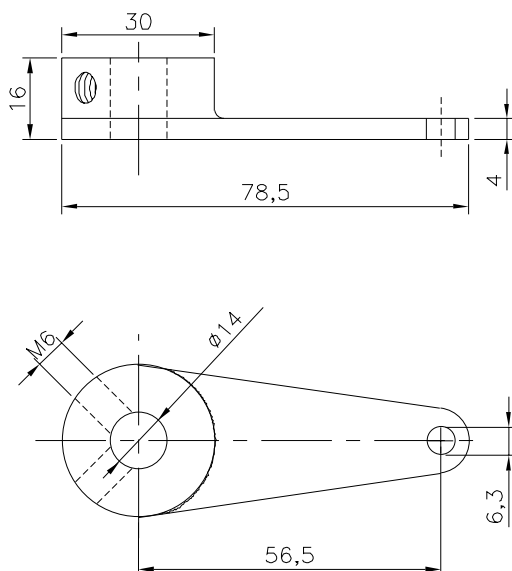
Various lengths, holes and fixing are available.



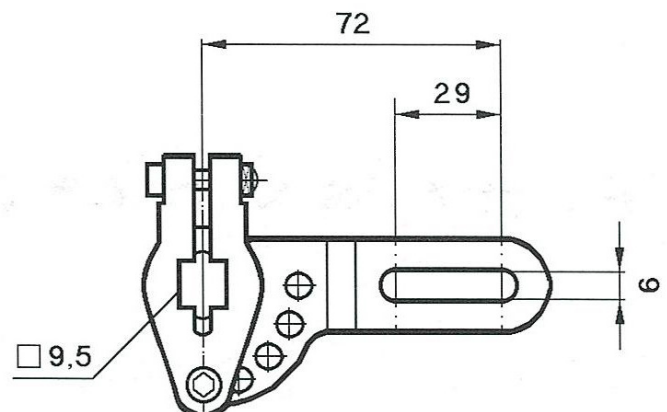
TECHNICAL DATA LEVER

Material	Galvanized steel
Lenght	78.5, 100, 115 or 137.5 mm
Thickness	4 mm
Central hole	Ø 8÷20 mm or □ 9,5 mm
Fixing of the main shaft	n° 2 screws M6
Fixing of the joint	With slot or holes Ø 8 mm

Lenght 78,5 mm

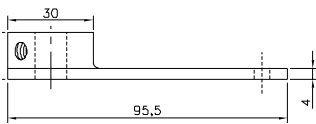


Lenght 115 mm

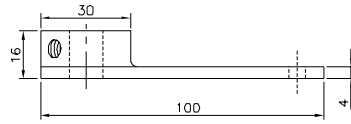


Lenght 100 mm

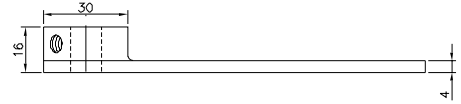
Lenght 137,5 mm



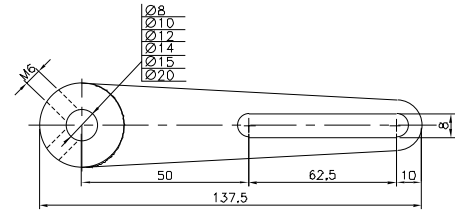
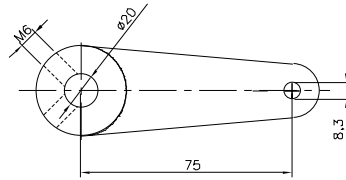
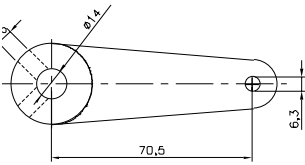
LTF071-F14F6C1



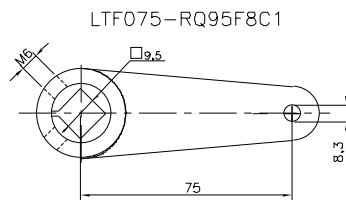
LTF075-F20F8C1



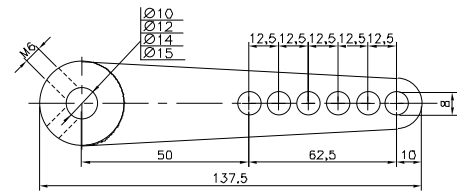
LTF112F...A...



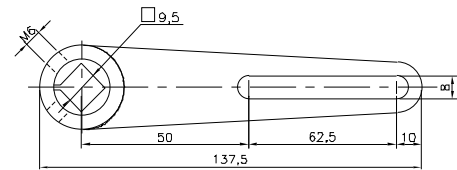
LTF112F...F...



LTF075-RQ95F8C1



LTF112RQ95A8



MODELS

LTF = Lever

Lenght

- 057** = 78,5 mm
- 071** = 95,5 mm
- 11547** = 115 mm
- 112** = 137,5 mm

Central hole Ø or squared hole

- F08** = Ø 8 mm
- F10** = Ø 10 mm
- F12** = Ø 12 mm
- F14** = Ø 14 mm
- F15** = Ø 15 mm
- F20** = Ø 20 mm
- RQ95** = Square 9,5 mm

Holes or slot

- A8** = Slot Ø 8,3 mm
- F6** = Holes Ø 6,3 mm
- F8** = Holes Ø 8,3 mm

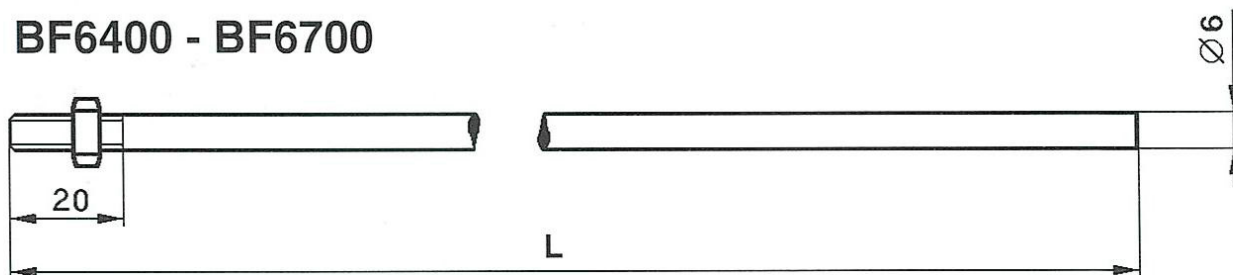
LFT

112

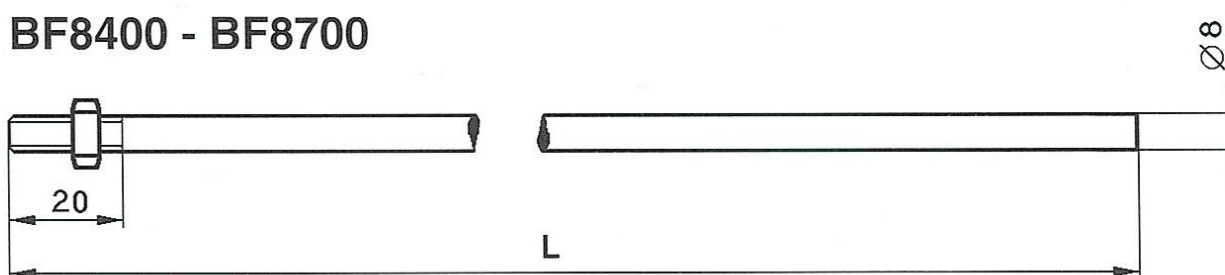
F08

F8

BF6400 - BF6700



BF8400 - BF8700

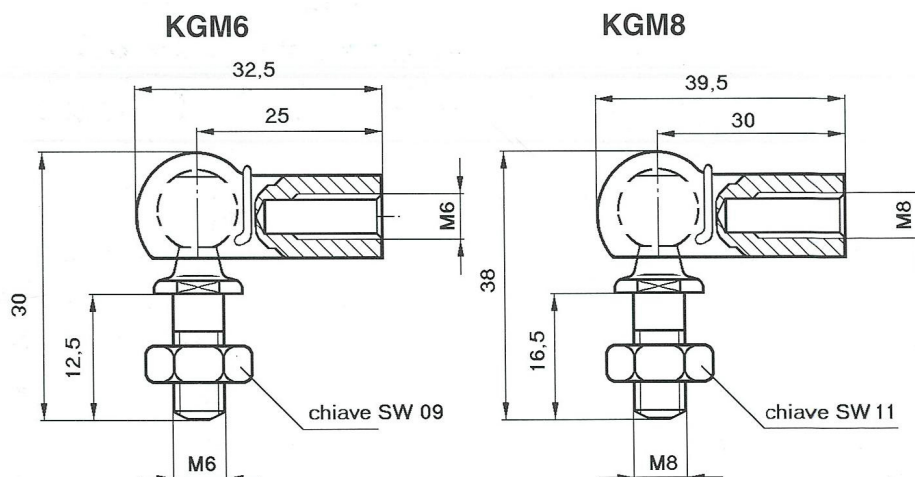


CODE	THREAD	LENGHT (L)
BF6400	M6	400 mm
BF6700	M6	700 mm
BF8260	M8	260 mm
BF8320	M8	320 mm
BF8400	M8	400 mm
BF8700	M8	700 mm
BF8900	M8	900 mm
BF1000	M8	1000 mm

BALL JOINTS

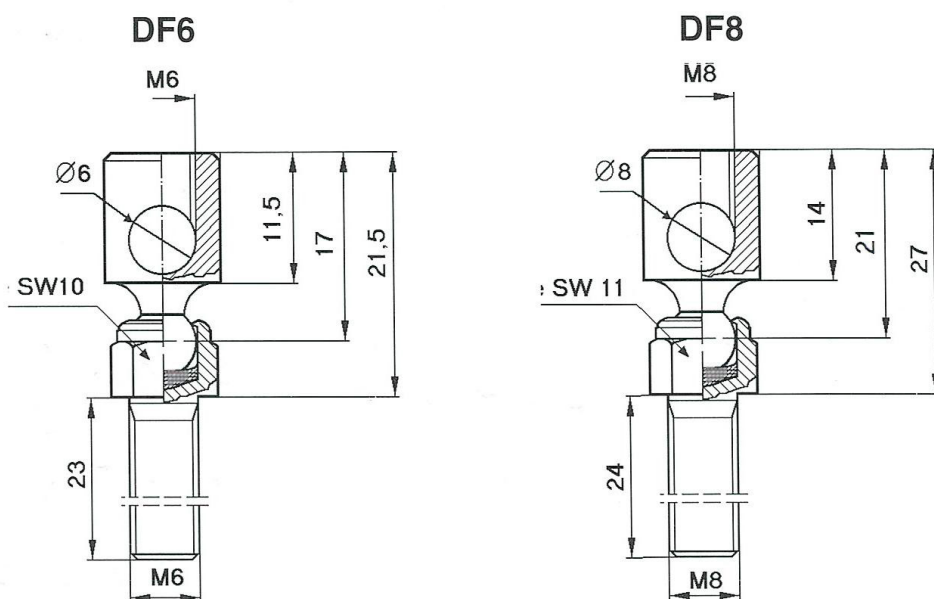
Angle ball joint 90°, zinc plated DIN 71802

THREAD	CODE
M6	KGM6
M8	KGM8
M8 sinistrorse	KGM8S



AXIAL JOINTS

BORE	THREAD	CODE
Ø 6 mm	M6	DF6
Ø 8 mm	M8	DF8



All the reported data are subject to be changed without notice.

from 140906