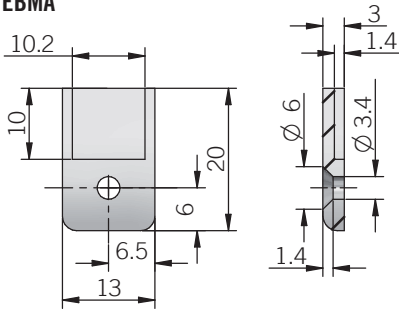
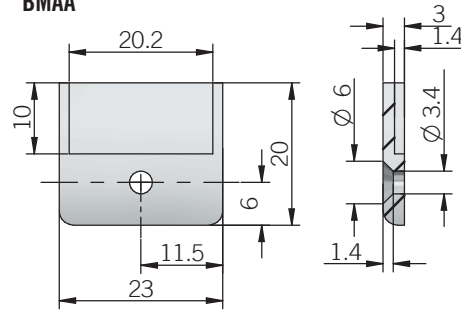


CLIPS FOR MAGNETIC TAPE

EBMA



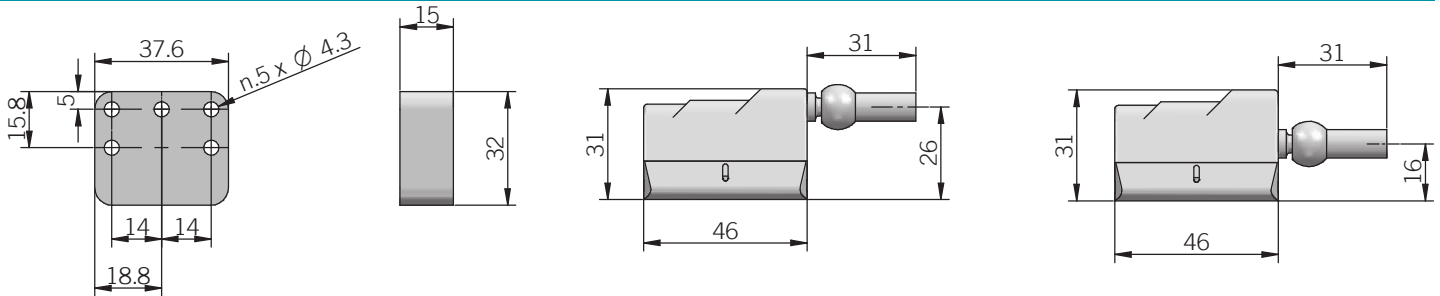
BMAA



dimensions in mm

Description	P/N	Material	Scope of delivery	Applicable to model
EBMA fixing clips	94990055	Polyamide	n.10 clips	EBMA
BMAA fixing clips	94990056	Polyamide	n.10 clips	BMAA

CURSORS FOR EMSPA - EMSPB - EMSPS

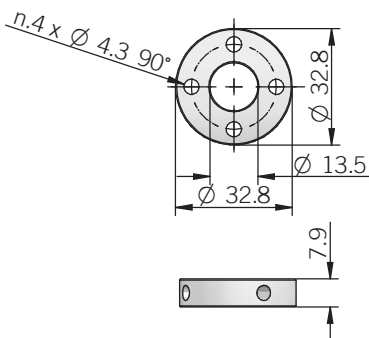


dimensions in mm

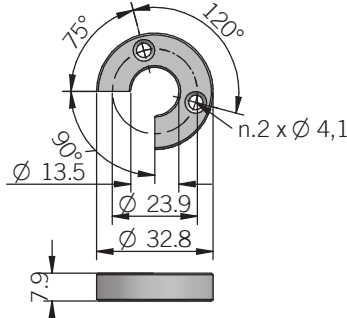
Function	Description	P/N	Function	Description	P/N	Function	Description	P/N
Floating cursor	EMS-CSF.2V EMS-CSF ¹	95490027 95490012	Sliding cursor axial joint high	EMS-CSA.2V EMS-CSA ¹	95490028 95490000	Sliding cursor axial joint low	EMS-CSB.2V EMS-CSB ¹	95490029 95490001

FLOATING CURSORS FOR EMSSA - EMSSS

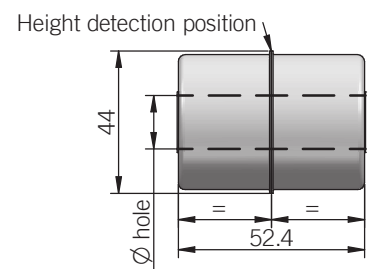
Floating cursor EMS-CAA



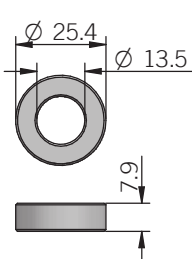
Floating cursor EMS-CAB



Floating cursor for liquids EMS-CAG12 / EMS-CAG15



Floating cursor EMS-CAC

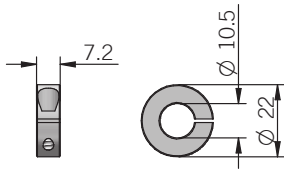


Description	P/N	Material	Scope of delivery
EMS-CAA.2V EMS-CAA ¹	95590016 95590000	aluminum	n.4 M4 brass nuts n.8 D4 brass washers n.4 M4x25 brass screws
EMS-CAB.2V EMS-CAB ¹	95590017 95590001	aluminum	n.4 M4 brass nuts n.4 D4 brass washers n.2 M4x25 brass screws
EMS-CAC.2V EMS-CAC ¹	95590018 95590011	aluminum	/
EMS-CAG12.2V EMS-CAG12 ¹	95590019 95590012	AISI 316 stainless steel	12 mm hole
EMS-CAG15 ¹	95590013	AISI 316 stainless steel	15 mm hole

dimensions in mm

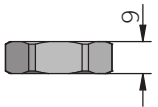
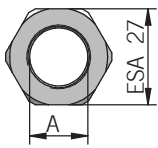
¹ only for spare parts for magnetostrictive transducers sold before February 2020, please contact our offices for availability

COLLAR CLAMPING FOR EMS-CAG12 / EMS-CAG15



Description	P/N	Material	Scope of delivery
EMS-FG01	95590014	AISI 316 stainless steel	n.1 D3 AISI 316 washer n.1 M3x8 AISI 316 screw

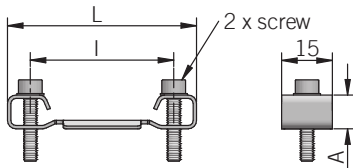
HEX NUT



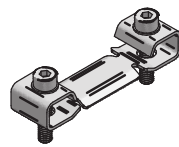
dimensions in mm

Description	P/N	Material	A	Applicable to model
EMS-CD01	95590010	AISI 316 stainless steel	M18 x 1,5	EMSSA - EMSSS
EMS-CD02	95590015	AISI 316 stainless steel	3/4" - 16UNF	EMSSA - EMSSS

BRACKETS



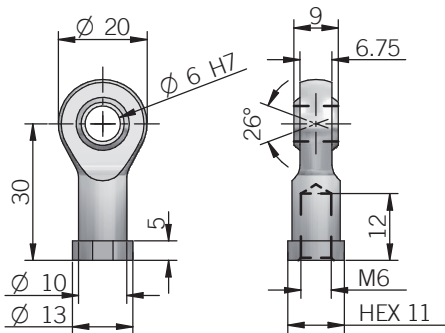
dimensions in mm



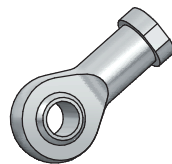
Scope of delivery
n.2 brackets

Description	P/N	Center-to-center (I)	Overall dimension (L)	Height (A)	Screw (M)	Applicable to model
EMSPA-EMSPS-ST42	95490011	42,5	56	12,4	M4	EMSPA - EMSPS
EMSPA-EMSPS-ST50	95490010	50	63,5	12,4	M5	EMSPA - EMSPS
EMSPB-ST42	95490022	42,5	56	10	M4	EMSPB
EMSPB-ST50	95490026	50	63,5	10	M5	EMSPB

EPLA BALL JOINT

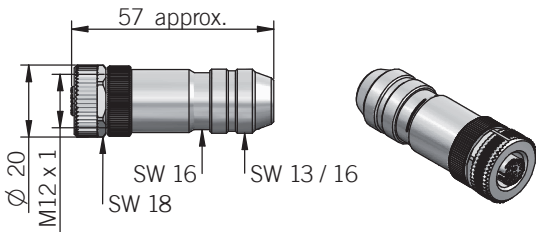


dimensions in mm

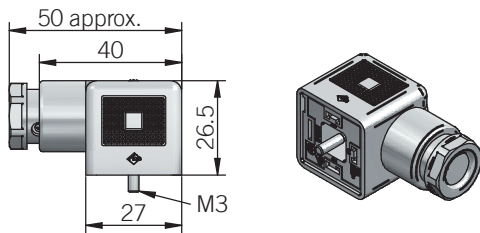


Description	P/N	Material	Scope of delivery	Applicable to model
EPLA-SN01	95390003	Steel	n.1 Ø 6 mm ball joint	EPLA

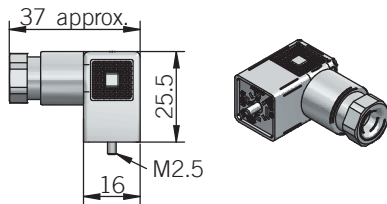
CONNECTORS



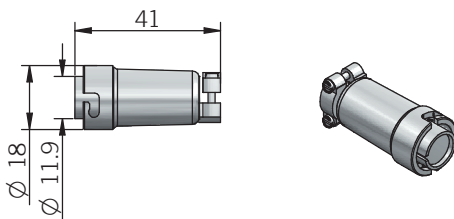
Description	P/N	Material	Specifications	Scope of delivery	Applicable to model
CONN. M12FV 12P Field-attachable M12 straight 12 pin A-coded female IP67	94990116	Metal	Solder max 0,25 mm ² / AWG 24 Cable gland range ø 6 ... 8 mm -40° ... +85°C (-40° ... +185°F)	n.1 connector	TMAA



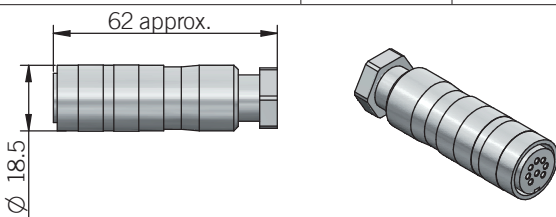
Description	P/N	Material	Specifications	Scope of delivery	Applicable to model
EPLA/C-EMSPB C04FV 90° IP 65 Field-attachable 90 degrees 4 pin 43650-A female	95390004	Plastic	Screw max 1,50 mm ² / AWG 16 Cable gland range ø 6 ... 8 mm -30° ... +125°C (-22° ... +257°F)	n.1 connector	EPLA - EPLC - EMSPB



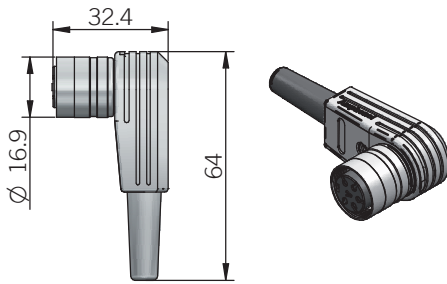
Description	P/N	Material	Specifications	Scope of delivery	Applicable to model
EPLB-C04FV 90° IP 65 Field-attachable 90 degrees 4 pin 43650-C female	95390001	Plastic	Screw max 0,75 mm ² / AWG 18 Cable gland range ø 4 ... 6 mm -40° ... +90°C (-40° ... +194°F)	n.1 connector	EPLB



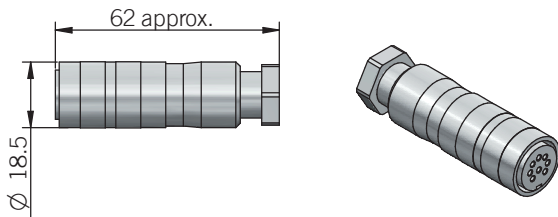
Description	P/N	Material	Specifications	Scope of delivery	Applicable to model
EPL-C03FV Field-attachable straight 3 pin female IP40	95390002	Metal	Solder max ø 1,1 mm Cable gland range ø 5 ... 8 mm -25° ... +85°C (-13° ... +185°F)	n.1 connector	EPLA - EPLB



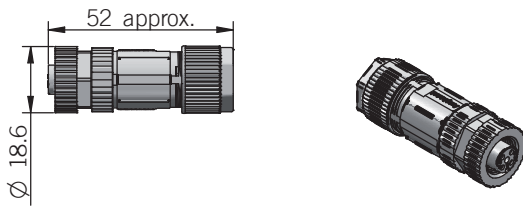
Description	P/N	Material	Specifications	Scope of delivery	Applicable to model
EPL-C05FV IP 67 Field-attachable straight 5 pin DIN 45322 female	95390005	Metal / Plastic	Screw max 0,75 mm ² / AWG 18 Cable gland range ø 6 ... 8 mm -30° ... +95°C (-22° ... +203°F)	n.1 connector	EPLA - EPLB - EPLC - EPLT



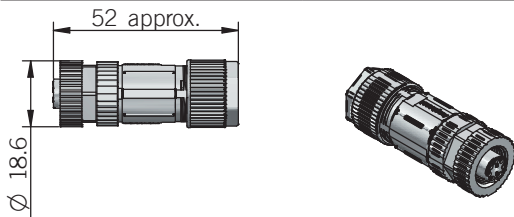
Description	P/N	Material	Specifications	Scope of delivery	Applicable to model
EPL-C05FV 90° IP 40 Field-attachable 90 degrees 5 pin DIN 45322 female	95390007	Metal / Plastic	Solder max 0,5 mm ² / AWG 20 Cable range ø 4 ... 6 mm -40° ... +100°C (-40° ... +212°F)	n.1 connector	EPLA - EPLB - EPLC - EPLT



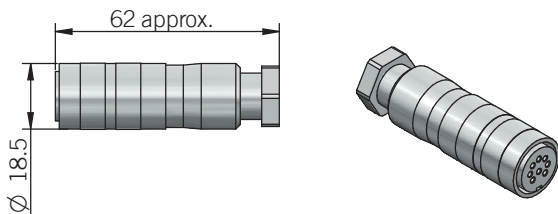
Description	P/N	Material	Specifications	Scope of delivery	Applicable to model
EMS-C08FV IP 67 Field-attachable M16 straight 8 pin DIN 45326 female	95490025	Metal / Plastic	Screw max 0,75 mm ² / AWG 18 Cable gland range ø 6 ... 8 mm -30° ... +95°C (-22° ... +203°F)	n.1 connector	EMSPA - EMSPS



Description	P/N	Material	Specifications	Scope of delivery	Applicable to model
EMS-S05FV IP67 Field-attachable M12 straight 5 pin A-coded female	95490002	Metal	Screw max 0,75 mm ² / AWG 18 Cable gland range ø 4 ... 7 mm -30° ... +85°C (-22° ... +185°F)	n.1 connector	EMSPA - EMSPB



Description	P/N	Material	Specifications	Scope of delivery	Applicable to model
EMS-S08FV IP67 Field-attachable M12 straight 8 pin A-coded female IP67	95490002	Metal	Screw max 0,75 mm ² / AWG 18 Cable gland range ø 4 ... 7 mm -30° ... +85°C (-22° ... +185°F)	n.1 connector	EMSPA - EMSPB



Description	P/N	Material	Specifications	Scope of delivery	Applicable to model
EMS-C06FV IP 67 Field-attachable M16 straight 6 pin DIN 45322 female	95490015	Metal / Plastic	Screw max 0,75 mm ² / AWG 18 Cable gland range ø 6 ... 8 mm -30° ... +95°C (-22° ... +203°F)	n.1 connector	EMSPA - EMSPS - EMSSA - EMSSS

IP rating when plugged with proper cable, dimensions in mm