



AE series

M8 cylindrical inductive sensors



M8 cylindrical

features

- Extremely reduced measure
- Metal housing
- LED status indicator 360° visible
- IP 67 housing protection
- ATEX models, cat. 3, available on request
- Complete protection against electrical damages
- Standard and long distance models
- Standard and short body housing



web contents



- Application notes
- Photos
- Catalogue / Manuals



code description

AE 1 / A P - 1 A

series	AE	M8 inductive proximity switch
housing	1	Standard body
	6	Short body
output state	A	NO output state
	C	NC output state
output logic	N	NPN logic output
	P	PNP logic output
distance	1	Shielded standard 1.5 mm
	2	Unshielded standard 2.5 mm
	3	Long distance shielded 2 mm
	4	Unshielded long distance 4 mm
connect.	A	Axial cable exit
	F	M8 plug cable exit
	H	M12 plug cable exit

(*) ATEX models available, contact our Sales Dept. for further information.

available models

standard housing

diameter	installation	distance	plug	distance (mm)	NPN/NO	NPN/NC	PNP/NO	PNP/NC	
M8	shielded	standard	cable	1.5	AE1/AN-1A	AE1/CN-1A	AE1/AP-1A	AE1/CP-1A	
			M8		AE1/AN-1F	AE1/CN-1F	AE1/AP-1F	AE1/CP-1F	
			M12		AE1/AN-1H	AE1/CN-1H	AE1/AP-1H	AE1/CP-1H	
			unshielded	cable	2.5	AE1/AN-2A	AE1/CN-2A	AE1/AP-2A	AE1/CP-2A
				M8		AE1/AN-2F	AE1/CN-2F	AE1/AP-2F	AE1/CP-2F
				M12		AE1/AN-2H	AE1/CN-2H	AE1/AP-2H	AE1/CP-2H
	shielded	long distance	2	cable	AE1/AN-3A	AE1/CN-3A	AE1/AP-3A	AE1/CP-3A	
				M8	AE1/AN-3F	AE1/CN-3F	AE1/AP-3F	AE1/CP-3F	
				M12	AE1/AN-3H	AE1/CN-3H	AE1/AP-3H	AE1/CP-3H	
			unshielded	4	cable	AE1/AN-4A	AE1/CN-4A	AE1/AP-4A	AE1/CP-4A
					M8	AE1/AN-4F	AE1/CN-4F	AE1/AP-4F	AE1/CP-4F
					M12	AE1/AN-4H	AE1/CN-4H	AE1/AP-4H	AE1/CP-4H

available models





short housing

diameter	installation	distance	plug	distance (mm)	NPN/NO	NPN/NC	PNP/NO	PNP/NC	
M8	shielded	standard	cable	1.5	AE6/AN-1A	AE6/CN-1A	AE6/AP-1A	AE6/CP-1A	
			M8		AE6/AN-1F	AE6/CN-1F	AE6/AP-1F	AE6/CP-1F	
			M12		AE6/AN-1H	AE6/CN-1H	AE6/AP-1H	AE6/CP-1H	
			unshielded	2.5	cable	AE6/AN-2A	AE6/CN-2A	AE6/AP-2A	AE6/CP-2A
					M8	AE6/AN-2F	AE6/CN-2F	AE6/AP-2F	AE6/CP-2F
					M12	AE6/AN-2H	AE6/CN-2H	AE6/AP-2H	AE6/CP-2H
	shielded	long distance	2	cable	AE6/AN-3A	AE6/CN-3A	AE6/AP-3A	AE6/CP-3A	
				M8	AE6/AN-3F	AE6/CN-3F	AE6/AP-3F	AE6/CP-3F	
				M12	AE6/AN-3H	AE6/CN-3H	AE6/AP-3H	AE6/CP-3H	
			unshielded	4	cable	AE6/AN-4A	AE6/CN-4A	AE6/AP-4A	AE6/CP-4A
					M8	AE6/AN-4F	AE6/CN-4F	AE6/AP-4F	AE6/CP-4F
					M12	AE6/AN-4H	AE6/CN-4H	AE6/AP-4H	AE6/CP-4H

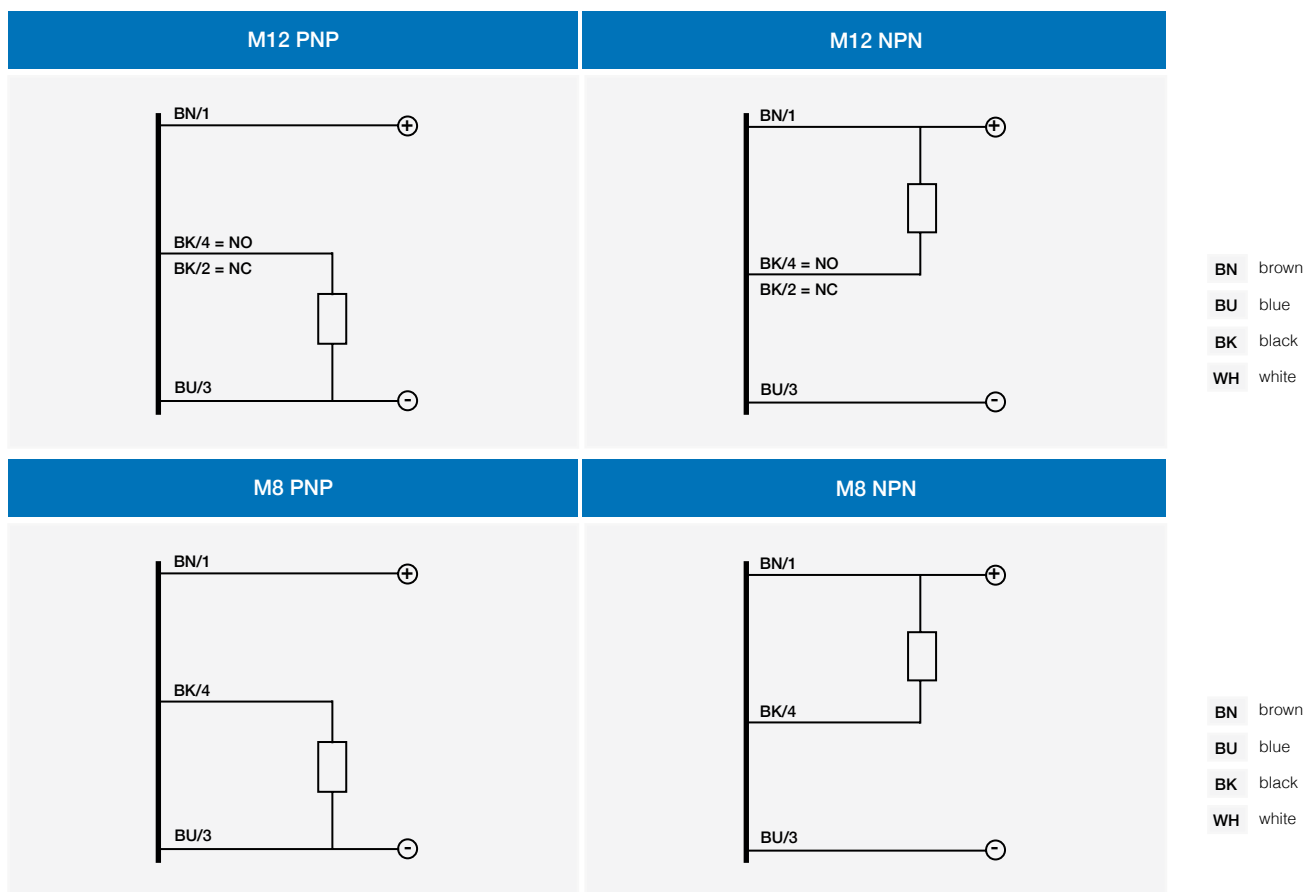
correction factors

code	steel FE 360	copper	alluminium	brass	stainless steel
AE*/**-1*	1	0.29	0.38	0.49	0.78
AE*/**-2*		0.43	0.51	0.59	0.83
AE*/**-3*		0.35	0.43	0.52	0.78
AE*/**-4*		0.47	0.52	0.58	0.79

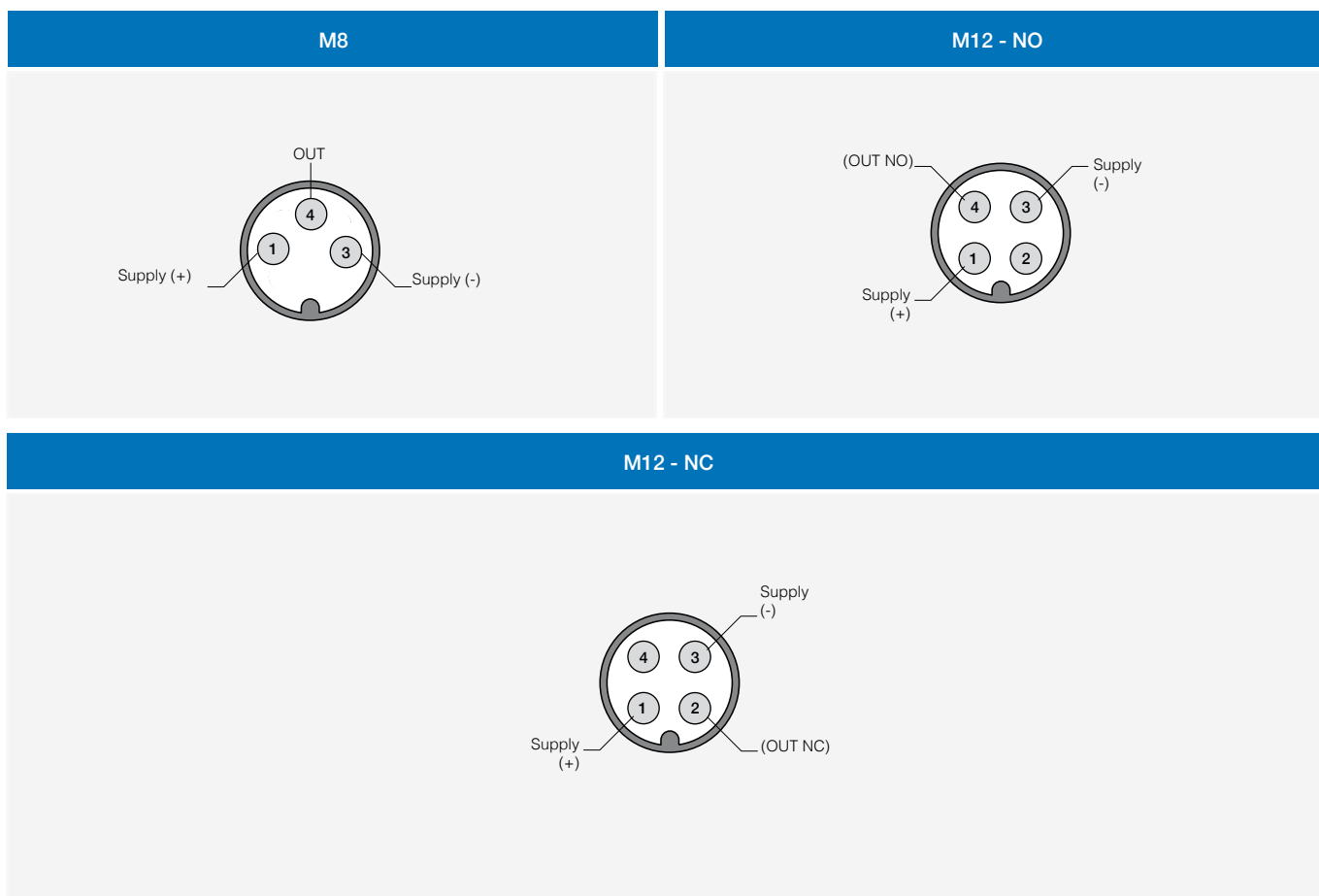


	AE*/**-1*	AE*/**-2*	AE*/**-3*	AE*/**-4*
				
nominal sensing distance	1.5 mm	2.5 mm	2 mm	4 mm
operating distance	0...1.21 mm	0...2.02 mm	0...1.62 mm	0...3.24 mm
hysteresis	1...20% Sr			
standard target	8x8 mm FE360			12x12 mm FE360
repeatability	5%			
operating voltage	10...30 Vdc			
max ripple content	≤ 10%			
output type	NPN or PNP - NO or NC			
output current	≤ 200 mA			
output voltage drop	≤ 1,8 V @ 200 mA			
no-load supply current	10 mA			
leakage current	≤ 10 µA			
switching frequency	5 kHz			
power on delay	50 ms			
ambient temperature range	-25...+70 °C			
temperature drift of Sr	10%			
short-circuit protection	●			
voltage reversal protection	●			
induction protection	●			
shocks and vibrations	IEC 60947-5-2			
weight	20 g connector / 45 g cable			
LEDs	yellow LED output state			
protection degree	IP 67 (EN60529)			
EMC	in conformity with the EMC Directive, according to IEC 60947-5-2			
housing material	nickel-plated brass			
active head material	PBT			
connection	cable 2 m PVC / plug M8 or M12			
tightening torque	3 Nm			

electrical diagrams of connections



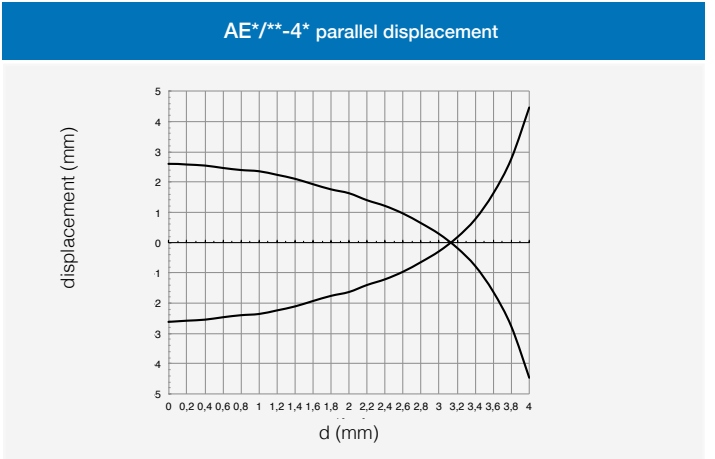
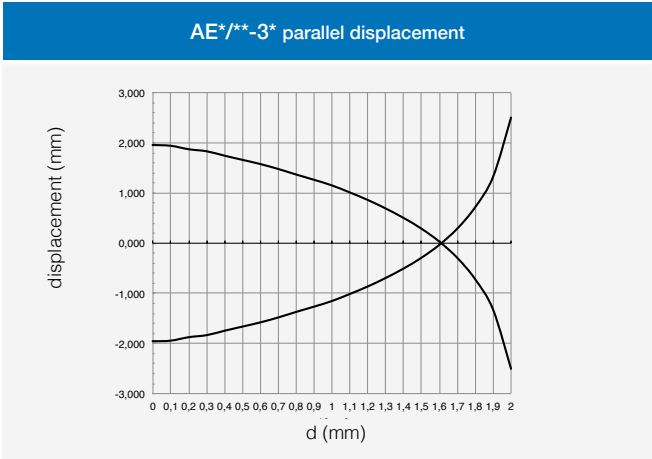
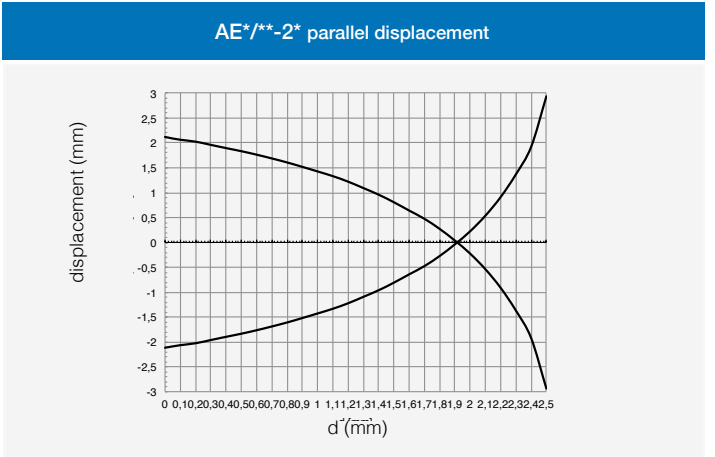
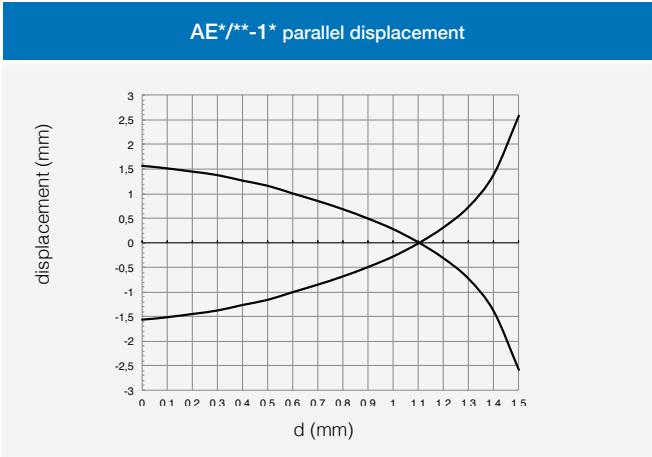
plug



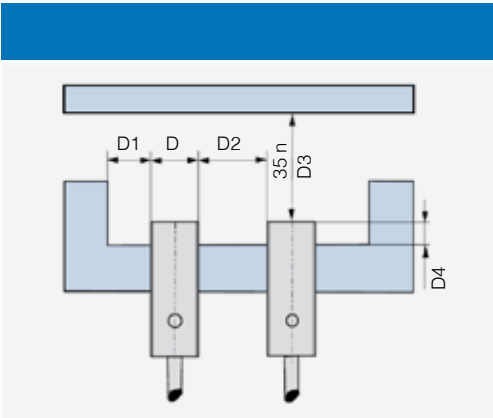
response diagram



M8 cylindrical



installation



code	D4	D1	D2	D3
AE [*] / ^{**} -1 [*]	≥ 0 mm	≥ 3.25 mm	≥ 6.5 mm	≥ 4.5 mm
AE [*] / ^{**} -2 [*]	≥ 4 mm ⁽¹⁾	≥ 6.5 mm	> 17 mm	≥ 7.5 mm
AE [*] / ^{**} -3 [*]	≥ 0 mm	≥ 3.25 mm	≥ 6.5 mm	≥ 6 mm
AE [*] / ^{**} -4 [*]	≥ 4 mm	≥ 6.5 mm	> 17 mm	≥ 12 mm

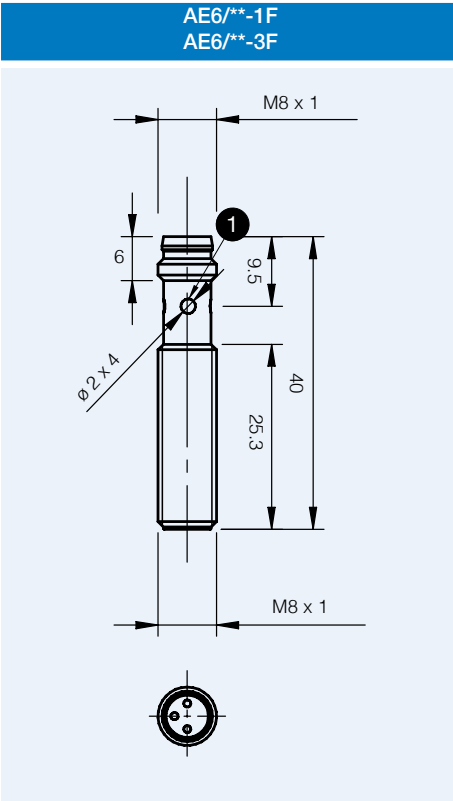
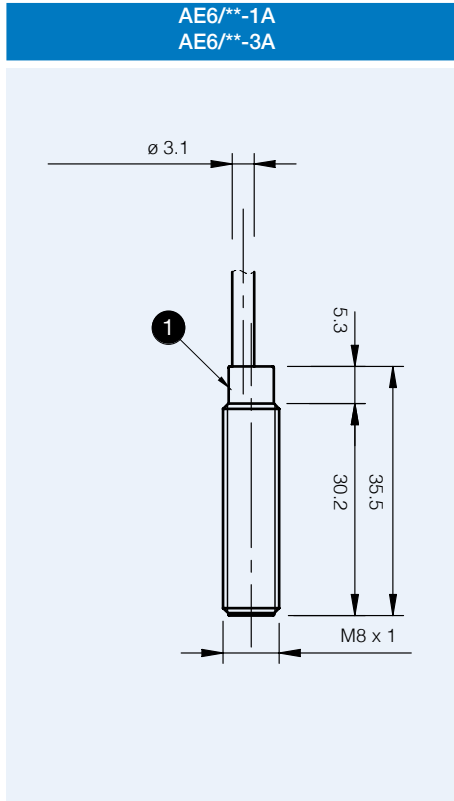
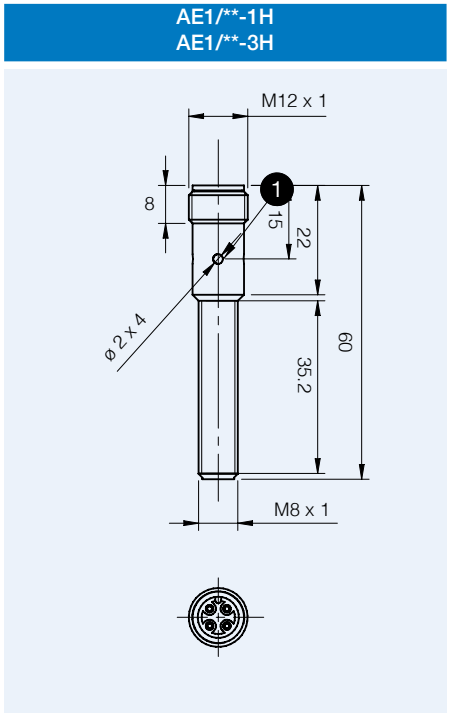
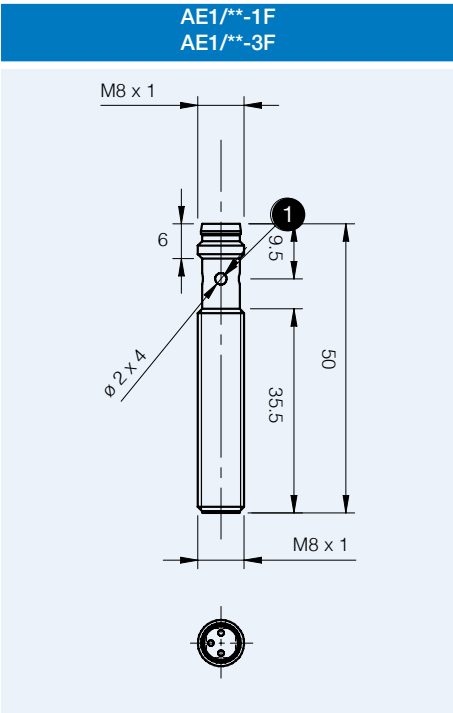
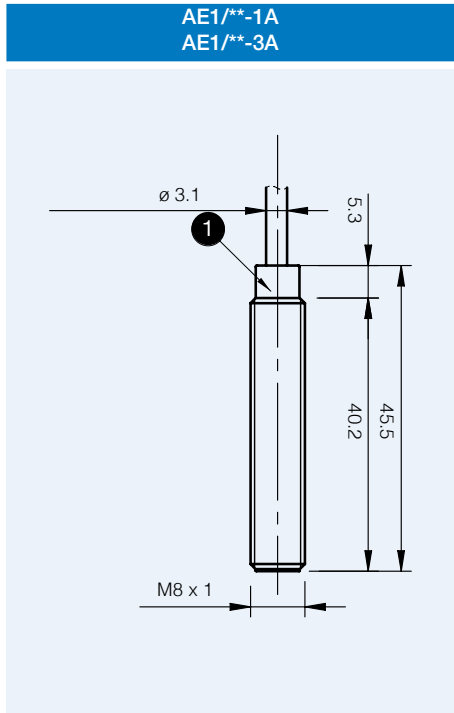
(1) ≥ 0 mm for non magnetic materials

AE



dimensions (mm)

M8 cylindrical



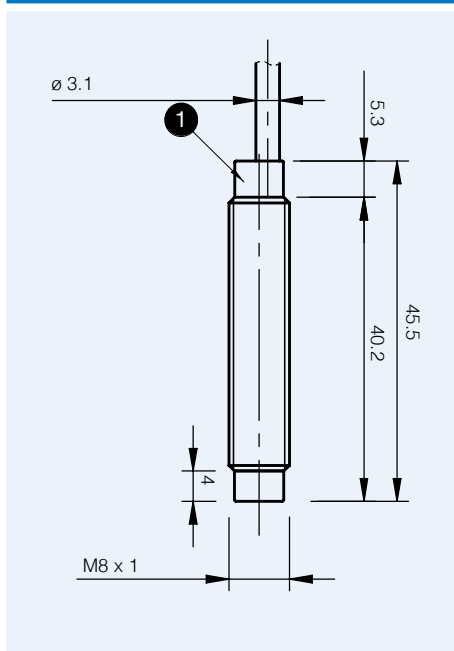
1 LED

AE

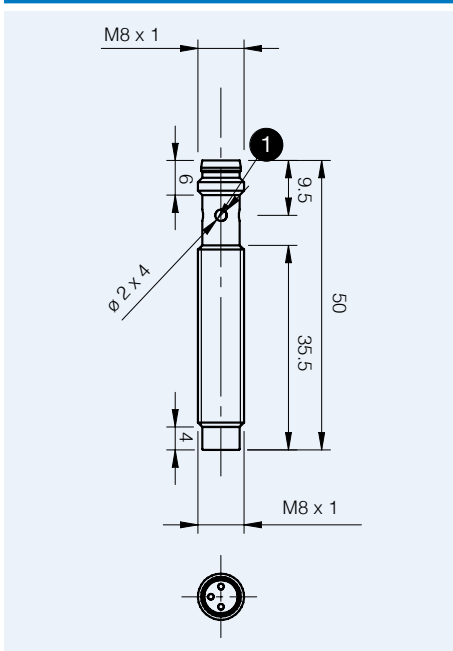


M8 cylindrical

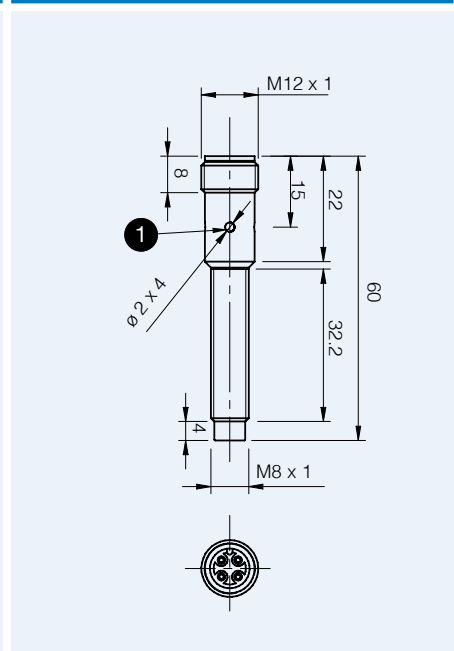
AE1/**-2A
AE1/**-4A



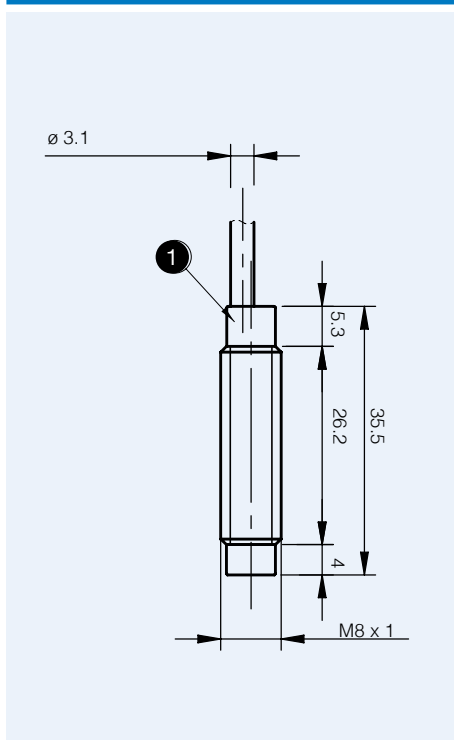
AE1/**-2F
AE1/**-4F



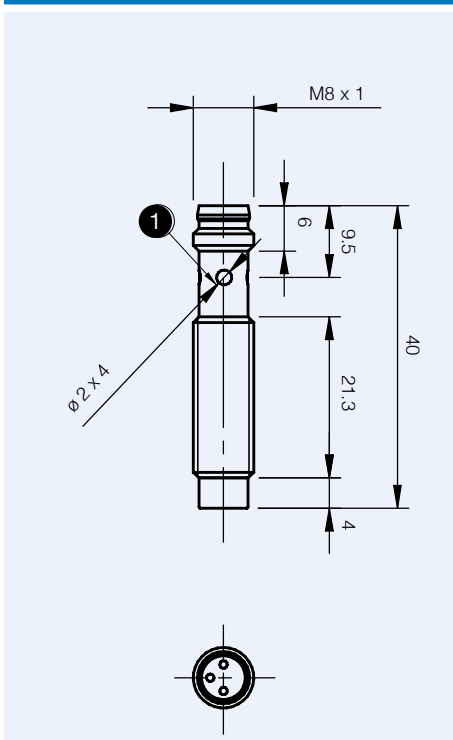
AE1/**-2H
AE1/**-4H



AE6/**-2A
AE6/**-4A

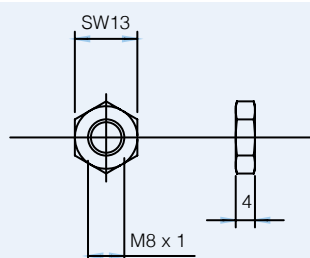


AE6/**-2F
AE6/**-4F



dimensions (mm)

accessories included



metallic
nut (2 x)

AE